

Type: Job: Fixture Catalog number: <hr style="border: none; border-top: 1px solid black; margin: 5px 0;"/> <div style="display: flex; justify-content: space-around; font-size: small;"> Fixture Reflector Lamp Mode Finish </div>	Fixture Options: <hr style="border: none; border-top: 1px solid black; margin: 5px 0;"/> Ordered Separately from Fixture See pages 2-3 Remote Mounting Options: <hr style="border: none; border-top: 1px solid black; margin: 5px 0;"/> Ordered Separately from Fixture See pages 4-7	Approvals: Date: Page: 1 of 7
--	--	--

Specifications

Housing: Die-cast, low copper (<0.6% Cu) aluminum body, lamp housing and socket enclosure.

Swivel: Provides horizontal rotation independent of the threaded mount. Swivel locked by ¼-20 stainless set screw. Die-cast, low copper (<0.6% Cu) aluminum with locking teeth and ½" solid brass NPT mount. Clear anodized prior to titanated zirconium conversion coating for added corrosion resistance.

Reflector: Spun specular Alzak® aluminum.

Lens Frame: Integral die-cast, low copper (<0.6% Cu) aluminum lens ring and glare shield.

Lens: Tempered clear soda lime glass with silicone gasket. Flush with lens frame to promote water runoff when positioned upward.

Gasketing: Silicone gaskets used throughout.

Socket: Porcelain medium base.

Wiring: No. 18AWM rated 105°C.

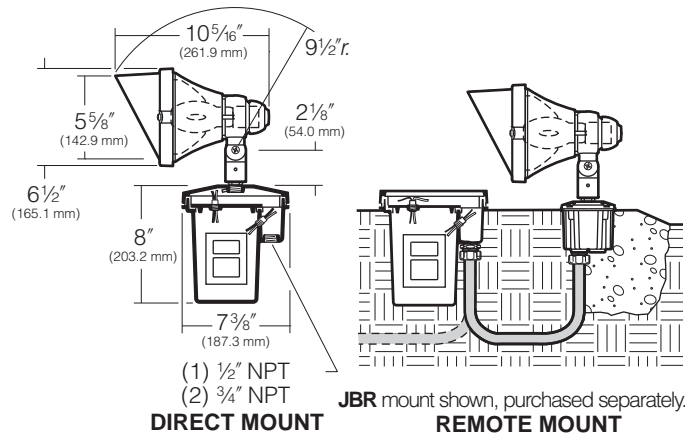
Ballast: High power factor, long range ignitors, -20°F. starting, mounted on tray, 120 volt standard.

Ballast Box: High temperature, compression molded featuring long-fiber fiberglass impregnated heavy wall construction. Wall separates ballast chamber from splice compartments, splice area 32 cu in.; prewired, two anti-siphon plugs to and from ballast chamber. Conduit entry; two ¾" NPT for through wiring, one ½" NPT for remote access.

Ballast Cover: Cast bronze, supplied with ½" NPSM for direct mount, with stainless steel set screw lock. Flat for remote mount.

Finish: Super TGIC thermoset polyester powder coat paint, 2.5 mil nominal thickness, applied over a titanated zirconium conversion coating; 2500 hour salt spray test endurance rating. Standard colors are Black (BL), Dark Bronze (DB), and Verde Green (GR).

Certification: UL Listed to U.S. and Canadian safety standards for wet locations



ORDERING INFORMATION

Fixture

- | | |
|--------------------------------|-----------------|
| <input type="checkbox"/> 6750D | Direct Mounting |
| <input type="checkbox"/> 6750R | Remote Mounting |

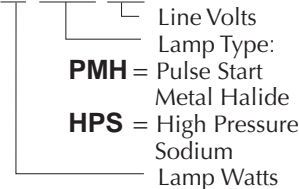
Reflector

- | | |
|-----------------------------|--------------|
| <input type="checkbox"/> SP | Spot |
| <input type="checkbox"/> NF | Narrow Flood |

Lamp Mode¹

	<input type="checkbox"/> 70PMH120 <input type="checkbox"/> 70PMH208 <input type="checkbox"/> 70PMH240 <input type="checkbox"/> 70PMH277 <input type="checkbox"/> 70PMH347	<input type="checkbox"/> 100PMH120 <input type="checkbox"/> 100PMH208 <input type="checkbox"/> 100PMH240 <input type="checkbox"/> 100PMH277 <input type="checkbox"/> 100PMH347	<input type="checkbox"/> 150PMH120 <input type="checkbox"/> 150PMH208 <input type="checkbox"/> 150PMH240 <input type="checkbox"/> 150PMH277 <input type="checkbox"/> 150PMH347
Lamp	ED-17	ED-17	ED-17
Socket	Medium Base	Medium Base	Medium Base
ANSI Ballast	M-98	M-90	M-102
	<input type="checkbox"/> 70HPS120 <input type="checkbox"/> 70HPS208 <input type="checkbox"/> 70HPS240 <input type="checkbox"/> 70HPS277 <input type="checkbox"/> 70HPS347	<input type="checkbox"/> 100HPS120 <input type="checkbox"/> 100HPS208 <input type="checkbox"/> 100HPS240 <input type="checkbox"/> 100HPS277 <input type="checkbox"/> 100HPS347	<input type="checkbox"/> 150HPS120 <input type="checkbox"/> 150HPS208 <input type="checkbox"/> 150HPS240 <input type="checkbox"/> 150HPS277 <input type="checkbox"/> 150HPS347
Lamp	ED-17	ED-17	ED-17
Socket	Medium Base	Medium Base	Medium Base
ANSI Ballast	S-62	S-54	S-55

¹70 PMH 120



Finish

- | | |
|-----------------------------|-------------|
| <input type="checkbox"/> BL | Black |
| <input type="checkbox"/> DB | Dark Bronze |
| <input type="checkbox"/> GR | Verde Green |



U.S. PATENT D424,731

KIM LIGHTING RESERVES THE RIGHT TO CHANGE SPECIFICATIONS WITHOUT NOTICE.







Type:
 Job:



Fixture Options

Ordered Separately from Fixture

<p>Colored Lens Cat. No. (See right) <input type="checkbox"/> No Option</p>	<p>Molded colored glass lens, replaces standard clear glass lens in fixture. (See color samples on page 19 of the Kim HID Landscape catalog).</p> <table style="width: 100%; border-collapse: collapse;"> <thead> <tr> <th style="text-align: left;">Cat. No.</th> <th style="text-align: left;">Color</th> <th style="text-align: left;">Description</th> </tr> </thead> <tbody> <tr> <td><input type="checkbox"/> RT74</td> <td>Rose</td> <td>Warms metal halide color. Deepens high pressure sodium color to pink/orange.</td> </tr> <tr> <td><input type="checkbox"/> AM74</td> <td>Amber</td> <td>Warms metal halide color. Deepens high pressure sodium color to yellow/orange.</td> </tr> <tr> <td><input type="checkbox"/> RD74</td> <td>Red</td> <td>Deep color accent. Best used with high pressure sodium lamps. NOTE: Very low output with metal halide lamps.</td> </tr> <tr> <td><input type="checkbox"/> BF74</td> <td>Blue</td> <td>Deep color accent. Best used with metal halide lamps. NOTE: Very low output with high pressure sodium lamps.</td> </tr> <tr> <td><input type="checkbox"/> GR74</td> <td>Green</td> <td>Deep color accent. Blue shift with metal halide lamps. Yellow shift with high pressure sodium lamps.</td> </tr> </tbody> </table>	Cat. No.	Color	Description	<input type="checkbox"/> RT74	Rose	Warms metal halide color. Deepens high pressure sodium color to pink/orange.	<input type="checkbox"/> AM74	Amber	Warms metal halide color. Deepens high pressure sodium color to yellow/orange.	<input type="checkbox"/> RD74	Red	Deep color accent. Best used with high pressure sodium lamps. NOTE: Very low output with metal halide lamps.	<input type="checkbox"/> BF74	Blue	Deep color accent. Best used with metal halide lamps. NOTE: Very low output with high pressure sodium lamps.	<input type="checkbox"/> GR74	Green	Deep color accent. Blue shift with metal halide lamps. Yellow shift with high pressure sodium lamps.	
Cat. No.	Color	Description																		
<input type="checkbox"/> RT74	Rose	Warms metal halide color. Deepens high pressure sodium color to pink/orange.																		
<input type="checkbox"/> AM74	Amber	Warms metal halide color. Deepens high pressure sodium color to yellow/orange.																		
<input type="checkbox"/> RD74	Red	Deep color accent. Best used with high pressure sodium lamps. NOTE: Very low output with metal halide lamps.																		
<input type="checkbox"/> BF74	Blue	Deep color accent. Best used with metal halide lamps. NOTE: Very low output with high pressure sodium lamps.																		
<input type="checkbox"/> GR74	Green	Deep color accent. Blue shift with metal halide lamps. Yellow shift with high pressure sodium lamps.																		
<p>Lens Accessories Cat. No. (See right) <input type="checkbox"/> No Option</p>	<p>HL74 - Hex Cell Louver: Provides additional brightness control. Constructed of hex cell aluminum louvers providing 45° cutoff, mounted in a circular frame, finished in baked high-heat flat black. Can be used in combination with colored lenses. Inserts behind lens into lens gasket. Cannot be used in combination with SL spread or PL prismatic lenses.</p> <table style="width: 100%; border-collapse: collapse;"> <tr> <td style="width: 20%;">Cat. No.</td> <td></td> </tr> <tr> <td><input type="checkbox"/> HL74</td> <td>Hex Cell Louver</td> </tr> </table> <hr/> <p>PL74 - Prismatic Lens: Softens lamp distribution and flattens beam spread. Best with flood lamps. Inserts behind lens into lens gasket. Cannot be used in combination with HL74 hex cell louver.</p> <table style="width: 100%; border-collapse: collapse;"> <tr> <td style="width: 20%;">Cat. No.</td> <td></td> </tr> <tr> <td><input type="checkbox"/> PL74</td> <td>Prismatic Lens</td> </tr> </table> <hr/> <p>SL74 - Spread Lens: Creates an oval beam pattern, more narrow in one beam axis. Best with spot lamps. Inserts behind lens into lens gasket. Cannot be used in combination with HL74 hex cell louver.</p> <table style="width: 100%; border-collapse: collapse;"> <tr> <td style="width: 20%;">Cat. No.</td> <td></td> </tr> <tr> <td><input type="checkbox"/> SL74</td> <td>Spread Lens</td> </tr> </table>	Cat. No.		<input type="checkbox"/> HL74	Hex Cell Louver	Cat. No.		<input type="checkbox"/> PL74	Prismatic Lens	Cat. No.		<input type="checkbox"/> SL74	Spread Lens	  						
Cat. No.																				
<input type="checkbox"/> HL74	Hex Cell Louver																			
Cat. No.																				
<input type="checkbox"/> PL74	Prismatic Lens																			
Cat. No.																				
<input type="checkbox"/> SL74	Spread Lens																			

Type:

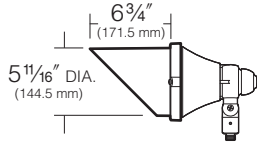
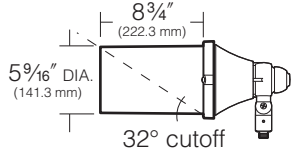

Job:

Page: 3 of 7



Fixture Options

Ordered Separately from Fixture

<p>Aluminum Adjustable Glare Shield</p> <p>Cat. No. Finish</p> <p><input type="checkbox"/> AGS74BL Black</p> <p><input type="checkbox"/> AGS74DB Dark Bronze</p> <p><input type="checkbox"/> AGS74GR Verde Green</p> <p><input type="checkbox"/> No Option</p>	<p>Spun aluminum shield with 45° cut and drain hole. Includes die-cast, low copper (<0.6% Cu) aluminum lens ring. The shield is rotatable 360°. Replaces standard lens ring/hood on fixture.</p>	
<p>Aluminum Full Glare Shield</p> <p>Cat. No. Finish</p> <p><input type="checkbox"/> FGS74BL Black</p> <p><input type="checkbox"/> FGS74DB Dark Bronze</p> <p><input type="checkbox"/> FGS74GR Verde Green</p> <p><input type="checkbox"/> No Option</p>	<p>Spun aluminum shield with drain hole. Includes die-cast, low copper (<0.6% Cu) aluminum lens ring. Replaces standard lens ring/hood on fixture.</p>	
<p>Debris Screen</p> <p>Cat. No. Finish</p> <p><input type="checkbox"/> DS74 Black</p> <p><input type="checkbox"/> No Option</p>	<p>Stainless steel wire screen welded to flange, and held in place with spring clips. Screen inserts inside full glare shield only. All debris screens are black iridite colored.</p>	

Type:

Job:

Page: 4 of 7



Remote Mounting Options

Ordered Separately from Fixture

Landscape Light Post by Engineered Products Co.

Cat. No.

EP17

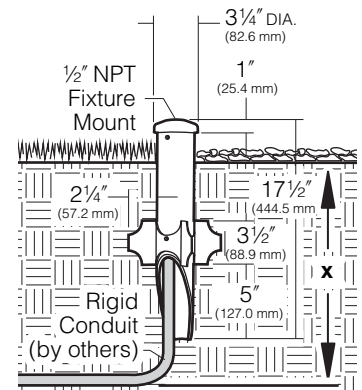
No Option

PVC fixture molded in black with 1/2" NPT mount is corrosion free and UV resistant. Replaces EMT, conduit connectors and weatherproof boxes. 100% shatter resistant against denting and cracking. Angled bottom to eliminate cable congestion. 17 1/2" post length.

CAUTION: EP17 should be used with a UL Listed fixture and grounding means (i.e., third wire) suitable for use in wet locations.

"x" = required depth of conduit per local code.

NOTE: Maximum remote mounting distance for 70PMH, 100PMH, and 150PMH fixtures is 50'; for 70HPS, 100HPS, and 150HPS fixtures is 50'; and for 175PMH is 200'.



Architectural Junction Box

Cat. No.

Finish

JB1/BL

Black

JB1/DB

Dark Bronze

JB1/GR

Verde Green

No Option

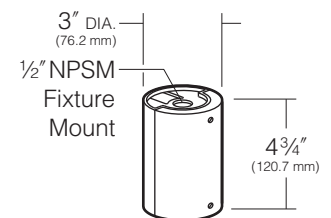
Die-cast, low copper (<0.6% Cu) aluminum with 1/2" NPSM fixture mount. Internal set screw provided for locking position. Two 1/2" NPSM in bottom, 17 cu in. internal volume. Super TGIC powder coat paint over clear anodizing and titanated zirconium conversion.

Application Notes

- Elevates accent lights above ground cover to prevent foliage from blocking the light.
- Elevates path lights above ground cover to achieve a greater light throw.

CAUTION: Junction box must be installed high enough to avoid contact with soil or standing water.

When installed on a single "feed" conduit, provide additional 24" long stabilizer pipe with cap. Installation on single conduit not recommended.



Type:

Job:

Page: 5 of 7



Remote Mounting Options

Ordered Separately from Fixture

Brass In-grade Architectural Junction Box

Cat. No.

- JBR-2
- JBR-3
- JBR-21
- JBR-24
- No Option

Die-cast brass with 1/2" NPSM fixture mount and die-cast cover. Internal set screw provided for locking position. 18 cu. in. internal volume.

- JBR-2** (2) 1/2" NPT in bottom
- JBR-3** (2) 3/4" NPT in bottom
- JBR-21** (2) 1/2" NPT in sides, (2) 1/2" NPT in bottom
- JBR-24** (4) 1/2" NPT in sides, (2) 1/2" NPT in bottom

All side taps provided with plugs.

25 Year Limited Warranty:

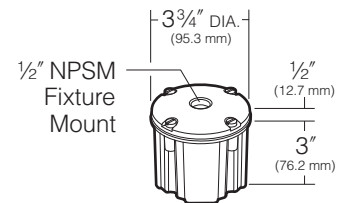
Solid brass junction boxes are warranted for 25 years, from date of sale, against manufacturing defects and failure due to corrosion.

Application Notes

- Utilizing conveniently located ballast box, fixtures can be remote mounted.
- Cast brass slowly adopts environmental "patina" adapting itself to the landscape.
- May be cast in concrete for increased stability.

CAUTION: Fixture stem and swivel must not contact soil or standing water. Provide drainage away from junction box. Lamp and ballast must be of equal wattage. Ballast box must be installed high enough to encourage water drainage away from the housing.

NOTE: Maximum remote mounting distance for 70PMH, 100PMH, and 150PMH fixtures is 50'; for 70HPS, 100HPS, and 150HPS fixtures is 50'; and for 175PMH is 200'.



Type:

Job:

Page: 6 of 7



Remote Mounting Options

Ordered Separately from Fixture

Brass In-grade Staked Junction Box

Cat. No.

JBR30

No Option

Die-cast brass with 1/2" NPSM fixture mount and die-cast cover. Internal set screw provided for locking position. 18 cu in. internal volume.

(2) 1/2" NPT in bottom with (2) 19" long stakes.

25 Year Limited Warranty:

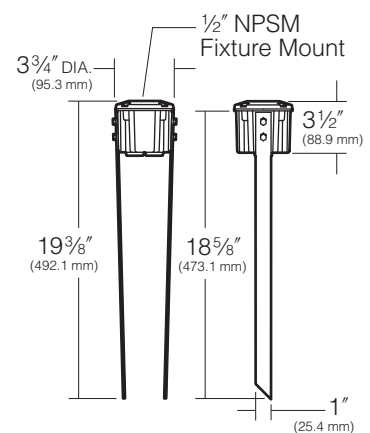
Solid brass junction boxes are warranted for 25 years, from date of sale, against manufacturing defects and failure due to corrosion.

Application Notes

- Utilizing conveniently located ballast box, fixtures can be remote mounted.
- Cast brass slowly adopts environmental "patina" adapting itself to the landscape.
- May be cast in concrete for increased stability.

CAUTION: Fixture stem and swivel must not contact soil or standing water. Provide drainage away from junction box. Lamp and ballast must be of equal wattage. Ballast box must be installed high enough to encourage water drainage away from the housing.

NOTE: Maximum remote mounting distance for 70PMH, 100PMH, and 150PMH fixtures is 50'; for 70HPS, 100HPS, and 150HPS fixtures is 50'; and for 175PMH is 200'.



Stanchion Mount

Cat. No.

Finish

SM18/BL

Black

SM18/DB

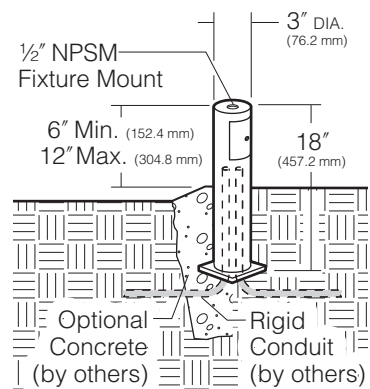
Dark Bronze

SM18/GR

Verde Green

No Option

3" O.D. by .188" wall cast, low copper (<0.6% Cu) aluminum with 1/2" NPSM fixture mount and hand hole with flush cover. Internal set screw fixture lock accessible through hand hole. Internal ground lug supplied with installed lead. Super TGIC powder coat paint over clear anodizing and titanated zirconium conversion.



Type:

Job:

Page: 7 of 7



Remote Mounting Options

Ordered Separately from Fixture

Surface Mount

Cat. No.	Finish
<input type="checkbox"/> J-27N/BL	Black
<input type="checkbox"/> J-27N/DB	Dark Bronze
<input type="checkbox"/> J-27N/GR	Verde Green
<input type="checkbox"/> No Option	

Cast, low copper (<0.6% Cu) aluminum with 1/2" NPSM fixture mount. Internal set screw provided for locking position. 5 cu in. internal volume. Super TGIC powder coat paint over clear anodizing and titanated zirconium conversion.

Application Notes

- Utilizing conveniently located ballast box, fixtures can be surface mounted.

CAUTION: Lamp and ballast must be of equal wattage. Ballast box must be installed high enough to encourage water drainage away from the housing.

NOTE: Maximum remote mounting distance for 70PMH, 100PMH, and 150PMH fixtures is 50'; for 70HPS, 100HPS, and 150HPS fixtures is 50'; and for 175PMH is 200'.

