

Type:
Job:
Catalog number:

Approvals:

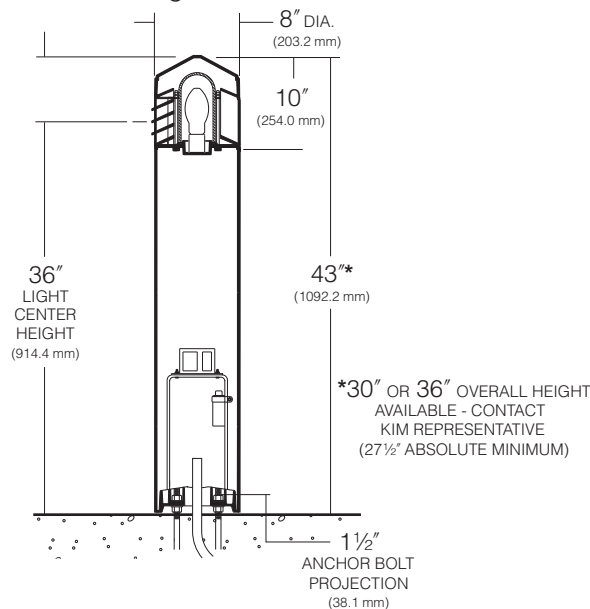
VSB2	/	/	/
Fixture	Electrical Module	Top Cap and Shaft Finish	Option
See page 2			

Date:
Page: 1 of 2

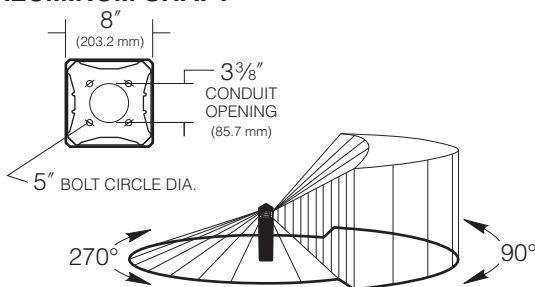
Specifications

VSB Models
70 to 100 watt
Medium Base Lamps
42 watt Compact Fluorescent

VSB2 - Dual Function Luminaire (Aluminum Shaft)
Maximum weight: 35 lb



**BASE PLAN
VSB
ALUMINUM SHAFT**



Top Cap: One-piece die-cast, low copper (<0.6% Cu) aluminum 3/16" minimum thickness, secured to louvers by concealed stainless steel allen screws in keyhole slots. For relamping access, allen screws shall not require complete removal.

Louvers: One-piece sand-cast with horizontal and vertical blades. Horizontal louvers shall provide 270° of down-lighting with source cutoff above horizontal. Vertical louver shall provide 90° of non-cutoff lighting. Horizontal louver blades shall have a 1 3/4" depth, and be angled 25° from the horizontal. Vertical louver blades shall have a 1 3/4" depth with a 45° spacing. Louver castings shall be secured to shaft by four internal tie rods.

Lamp Enclosure: One-piece tempered molded glass with internal flutes and full silicone gasketing at bottom edge.

Socket: Porcelain medium base socket rated 4KV for HID and incandescent. Plastic socket for Fluorescent.

Fixture Head: Allows flow-through ventilation around and above the lamp enclosure.

Shaft: One-piece extruded aluminum, .156" minimum wall thickness with a heavy cast aluminum anchor base concealed within the shaft. Hex socket stainless steel screws shall lock shaft onto the cast anchor base.

Ballast: Factory mounted to rigid harness attached to the anchor base. Wiring shall be supplied from the socket for field connection to the prewired ballast components. **HID:** High power factor with starting temperatures of -20°F. for PMH and -40°F. for HPS lamp modes. **26W, 32W, 42W Fluorescent:** High power factor with starting temperature of 0°F.

Anchor Bolts: Four 3/8" x 10" + 2" zinc plated L-hooks, each with two nuts, washers and a rigid pressed board template.

Finish: Super TGIC thermoset polyester powder coat paint, 2.5 mil nominal thickness, applied over a titanated zirconium conversion coating; 2500 hour salt spray test endurance rating. Standard colors are Black, Dark Bronze, Light Gray, Stealth Gray, Platinum Silver, or White. Custom colors are available.

CAUTION: Fixtures must be grounded in accordance with national, state and/or local electrical codes. Failure to do so may result in serious personal injury.

Listings and Ratings

UL cUL 1598 ¹	CE	IP46 Rated	25C Ambient
--------------------------	----	------------	-------------

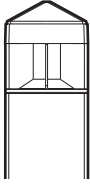
¹Suitable for wet locations.

KIM LIGHTING RESERVES THE RIGHT TO CHANGE SPECIFICATIONS WITHOUT NOTICE

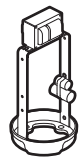




U.S. Patent D410,553

Type:
 Job:



Standard Features

Fixture	Cat. No. VSB2 Dual Function, Aluminum Shaft, Gabled Top																																																											
Electrical Module PMH = Pulse Start Metal Halide HPS = High Pressure Sodium PL = Compact Fluorescent <table border="1" data-bbox="178 850 389 955"> <tr> <td>Lamp</td> <td>Watts</td> <td>Line Type</td> <td>Volts</td> </tr> <tr> <td>70</td> <td>PMH</td> <td>277</td> <td></td> </tr> </table> 	Lamp	Watts	Line Type	Volts	70	PMH	277		Cat. Nos. for Electrical Modules available: <table border="1" data-bbox="495 661 1453 955"> <tr> <td><input type="checkbox"/> 70PMH120</td> <td><input type="checkbox"/> 100PMH120</td> <td><input type="checkbox"/> 70HPS120</td> <td><input type="checkbox"/> 100HPS120</td> </tr> <tr> <td><input type="checkbox"/> 70PMH208</td> <td><input type="checkbox"/> 100PMH208</td> <td><input type="checkbox"/> 70HPS208</td> <td><input type="checkbox"/> 100HPS208</td> </tr> <tr> <td><input type="checkbox"/> 70PMH240</td> <td><input type="checkbox"/> 100PMH240</td> <td><input type="checkbox"/> 70HPS240</td> <td><input type="checkbox"/> 100HPS240</td> </tr> <tr> <td><input type="checkbox"/> 70PMH277</td> <td><input type="checkbox"/> 100PMH277</td> <td><input type="checkbox"/> 70HPS277</td> <td><input type="checkbox"/> 100HPS277</td> </tr> <tr> <td><input type="checkbox"/> 70PMH347</td> <td><input type="checkbox"/> 100PMH347</td> <td><input type="checkbox"/> 70HPS347</td> <td><input type="checkbox"/> 100HPS347</td> </tr> <tr> <td>Lamp</td> <td>E-17, Coated</td> <td>E-17, Coated</td> <td>ED-17, Coated</td> </tr> <tr> <td>Socket</td> <td>Medium Base</td> <td>Medium Base</td> <td>Medium Base</td> </tr> <tr> <td>ANSI Ballast Type</td> <td>M-98</td> <td>M-90</td> <td>S-62</td> </tr> <tr> <td></td> <td colspan="4"><input type="checkbox"/> 42PL¹</td> </tr> <tr> <td>Lamp</td> <td colspan="4">Compact Fluor.</td> </tr> <tr> <td>Socket</td> <td colspan="4">GX24q-4</td> </tr> </table> <p>¹42PL operates one 26, 32, or 42 watt lamp at 120 thru 277 volts (50-60 Hz). NOTE: For lamp/ballast information outside of the U.S.A. and Canada, please consult your local Kim representative.</p>					<input type="checkbox"/> 70PMH120	<input type="checkbox"/> 100PMH120	<input type="checkbox"/> 70HPS120	<input type="checkbox"/> 100HPS120	<input type="checkbox"/> 70PMH208	<input type="checkbox"/> 100PMH208	<input type="checkbox"/> 70HPS208	<input type="checkbox"/> 100HPS208	<input type="checkbox"/> 70PMH240	<input type="checkbox"/> 100PMH240	<input type="checkbox"/> 70HPS240	<input type="checkbox"/> 100HPS240	<input type="checkbox"/> 70PMH277	<input type="checkbox"/> 100PMH277	<input type="checkbox"/> 70HPS277	<input type="checkbox"/> 100HPS277	<input type="checkbox"/> 70PMH347	<input type="checkbox"/> 100PMH347	<input type="checkbox"/> 70HPS347	<input type="checkbox"/> 100HPS347	Lamp	E-17, Coated	E-17, Coated	ED-17, Coated	Socket	Medium Base	Medium Base	Medium Base	ANSI Ballast Type	M-98	M-90	S-62		<input type="checkbox"/> 42PL ¹				Lamp	Compact Fluor.				Socket	GX24q-4			
Lamp	Watts	Line Type	Volts																																																									
70	PMH	277																																																										
<input type="checkbox"/> 70PMH120	<input type="checkbox"/> 100PMH120	<input type="checkbox"/> 70HPS120	<input type="checkbox"/> 100HPS120																																																									
<input type="checkbox"/> 70PMH208	<input type="checkbox"/> 100PMH208	<input type="checkbox"/> 70HPS208	<input type="checkbox"/> 100HPS208																																																									
<input type="checkbox"/> 70PMH240	<input type="checkbox"/> 100PMH240	<input type="checkbox"/> 70HPS240	<input type="checkbox"/> 100HPS240																																																									
<input type="checkbox"/> 70PMH277	<input type="checkbox"/> 100PMH277	<input type="checkbox"/> 70HPS277	<input type="checkbox"/> 100HPS277																																																									
<input type="checkbox"/> 70PMH347	<input type="checkbox"/> 100PMH347	<input type="checkbox"/> 70HPS347	<input type="checkbox"/> 100HPS347																																																									
Lamp	E-17, Coated	E-17, Coated	ED-17, Coated																																																									
Socket	Medium Base	Medium Base	Medium Base																																																									
ANSI Ballast Type	M-98	M-90	S-62																																																									
	<input type="checkbox"/> 42PL ¹																																																											
Lamp	Compact Fluor.																																																											
Socket	GX24q-4																																																											
Finish Super TGIC powder coat paint over a titanated zirconium conversion coating on fixture and shaft.	Color: Black Dark Bronze Light Gray Stealth Gray™ Platinum Silver White Custom Color ² Cat. No.: <input type="checkbox"/> BL <input type="checkbox"/> DB <input type="checkbox"/> LG <input type="checkbox"/> SG <input type="checkbox"/> PS <input type="checkbox"/> WH <input type="checkbox"/> CC NOTE: Black and Dark Bronze colors will produce slightly less louver brightness than Light Gray or White. ² Custom colors subject to additional charges, minimum quantities and extended lead times. Consult representative. Custom color description: _____																																																											
Emergency Battery Back-up Cat. No. <input type="checkbox"/> EM <input type="checkbox"/> No Option	Internal battery pack provides 90 minutes of supplemental light at 23% of initial lamp lumens for 26, 32, or 42 watt compact fluorescent lamps.			 <p>battery back-up</p>																																																								
Cold-Pack Emergency Battery Pack Cat. No. <input type="checkbox"/> EM-CP <input type="checkbox"/> No Option	The EM-CP option is a temperature controlled ballast designed to maintain operation without interruption within a range of hi/low ambient temperatures, -20°C to +55°C. Internal Cold-Pack emergency battery pack provides up to 90 minutes of supplemental light. See following table for max. lumens output by lamps. <table border="1" data-bbox="495 1816 909 1953"> <tr> <th>Lamp (4-Pin)</th> <th>1 lamp lumens</th> </tr> <tr> <td>42W</td> <td>750</td> </tr> <tr> <td>32W</td> <td>575</td> </tr> <tr> <td>26W</td> <td>450</td> </tr> </table>			Lamp (4-Pin)	1 lamp lumens	42W	750	32W	575	26W	450	 <p>cold-pack battery back-up</p>																																																
Lamp (4-Pin)	1 lamp lumens																																																											
42W	750																																																											
32W	575																																																											
26W	450																																																											