

Type:
Job:
Catalog number:

Approvals:

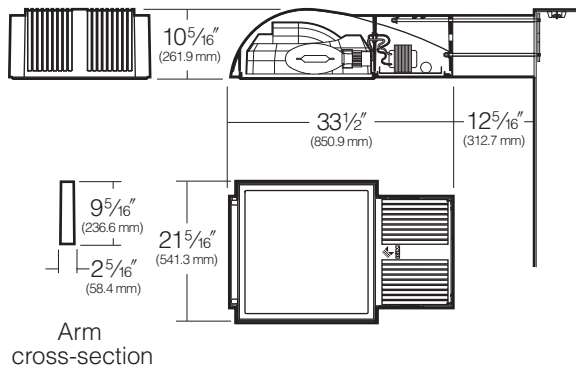
/ / / / /
 Mtg. Fixture Electrical Module Finish Options Structural Option
 See page 2 See page 3 See pages 4 - 6 See pages 7 - 9

Date:
Page: 1 of 9

Select pole from Kim Pole Catalog. If pole is provided by others indicate O.D. for arm fitting.

Specifications

600 to 1000 watt
 Mogul Base Lamps



Housing: One-piece die-cast, low copper (<0.6% Cu) aluminum alloy with integral cooling fins on top surfaces above the optical chamber and electrical compartment. A solid barrier wall separates the optical and electrical compartments, with gasketed wire penetrations. A double-thick wall with gussets is provided on the support arm mounting end. All hardware is stainless steel.

Lens Frame: One-piece die-cast, low copper (<0.6% Cu) aluminum alloy with a 1" minimum thickness around the gasket flange for rigidity. Integral hinges with stainless steel pins provide no-tool mounting and removal from the housing. Two stainless steel thumb-latches are recessed into the front corners, concealed from normal view. Lens frame seals against the housing by a one-piece extruded silicone gasket with vulcanized end closure. Clear 3/16" thick tempered flat glass is retained in the frame by eight clips with full silicone gasketing around the perimeter.

Reflector Module: Specular Alzak® optical segments are rigidly mounted in a die-cast, low copper (<0.6% Cu) aluminum alloy frame which attaches to the housing as a one-piece module with captive stainless steel screws. Reflector module is field-rotatable in 90° increments. All HPS and MH lamps are braced with a lamp vibration clamp and use 5KV mogul base sockets. Lamp is braced with a lamp vibration clamp. All sockets are factory prewired with a quick-disconnect plug for the ballast module, with wires passing through a silicone gasket in the housing barrier wall. Four light distributions are available and interchangeable within the same housing size.

Electrical Module: All electrical components are UL and CSA recognized, mounted on a single plate and factory prewired with quick-disconnect plugs. Electrical module attaches to the housing with no-tool hinges and latches, accessible by opening the lens frame. All ballasts are high power factor with starting temperatures of -40°F for HPS and -20°F for MH lamp modes.

Support Arm: One-piece extruded aluminum with internal bolt guides. Luminaire-to-pole attachment is by internal draw bolts, and includes a pole reinforcing plate with wire strain relief. For mounting to round poles, arm is circular cut for precise mating to the pole diameter.

Finish: Finish is Super TGIC thermoset polyester powder coat paint, 2.5 mil nominal thickness, applied over a titanated zirconium conversion coating; A.S.T.M. 2500 hour salt spray test endurance rating. Standard colors are Black, Dark Bronze, Light Gray, Platinum Silver, Stealth Gray™, or White. Custom colors are available.

CAUTION: Fixtures must be grounded in accordance with national, state and/or local electrical codes. Failure to do so may result in serious personal injury.

Listings and Ratings

UL cUL 1598 ¹	IP66 Rated	CE	25C Ambient
Full Cut Off ² (flat Glass Lens Only)		Cutoff (Convex Glass Lens Only)	

¹Suitable for wet locations

²Dark Sky Legislation Compliant

KIM LIGHTING RESERVES THE RIGHT TO CHANGE SPECIFICATIONS WITHOUT NOTICE

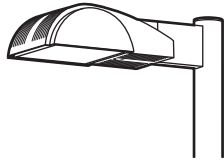


**U.S. Patents D439,695; D440,704;
 D440,705; D441,130; D465,302S**

Type:

Job:

Page: 3 of 9



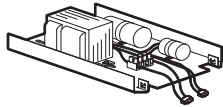
Standard Features

Electrical Module

PMH = Pulse Start
 Metal Halide

MH = Metal Halide

HPS = High Pressure
 Sodium



Lamp Watts Lamp Type Line Volts

1000 MH 277

Lamp and electrical data supplied for reference purposes only. All initial lumen values shown may vary from one manufacturer to another. Consult lamp manufacturer's data for exact lumen and life data.

NOTE: For lamp/ballast information outside of the U.S.A. and Canada, please consult your local Kim representative.

Finish

Super TGIC powder coat paint over titanated zirconium conversion coating.

Cat. Nos. for Electrical Modules available:

	Pulse Start Metal Halide		Metal Halide
	<input type="checkbox"/> 750PMH120	<input type="checkbox"/> 1000PMH120	<input type="checkbox"/> 1000MH120
	<input type="checkbox"/> 750PMH208	<input type="checkbox"/> 1000PMH208	<input type="checkbox"/> 1000MH208
	<input type="checkbox"/> 750PMH240	<input type="checkbox"/> 1000PMH240	<input type="checkbox"/> 1000MH240
	<input type="checkbox"/> 750PMH277	<input type="checkbox"/> 1000PMH277	<input type="checkbox"/> 1000MH277
	<input type="checkbox"/> 750PMH347	<input type="checkbox"/> 1000PMH347	<input type="checkbox"/> 1000MH347
	<input type="checkbox"/> 750PMH480	<input type="checkbox"/> 1000PMH480	<input type="checkbox"/> 1000MH480
Lamp	BT-37, Clear	BT-37, Clear	BT-37, Clear
Socket	Mogul Base	Mogul Base	Mogul Base
ANSI Ballast Type	M-149	M-141	M-47

	High Pressure Sodium		
	<input type="checkbox"/> 600HPS120	<input type="checkbox"/> 750HPS120	<input type="checkbox"/> 1000HPS120
	<input type="checkbox"/> 600HPS208	<input type="checkbox"/> 750HPS208	<input type="checkbox"/> 1000HPS208
	<input type="checkbox"/> 600HPS240	<input type="checkbox"/> 750HPS240	<input type="checkbox"/> 1000HPS240
	<input type="checkbox"/> 600HPS277	<input type="checkbox"/> 750HPS277	<input type="checkbox"/> 1000HPS277
	<input type="checkbox"/> 600HPS347	<input type="checkbox"/> 750HPS347	<input type="checkbox"/> 1000HPS347
	<input type="checkbox"/> 600HPS480	<input type="checkbox"/> 750HPS480	<input type="checkbox"/> 1000HPS480
Lamp	T-16, Clear	BT-37, Clear	E-25, Clear
Socket	Mogul Base	Mogul Base	Mogul Base
ANSI Ballast Type	S-106	S-111	S-52

WARNING: Fixtures must be installed and grounded in accordance with national, state and/or local electrical codes. Failure to do so may result in serious personal injury. Lamps by others.

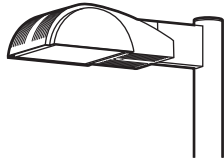
Color: Black Dark Bronze Light Gray Stealth Gray™ Platinum Silver White Custom Color¹
 Cat. No.: **BL** **DB** **LG** **SG** **PS** **WH** **CC**

¹Custom colors subject to additional charges, minimum quantities and extended lead times. Consult representative. Custom color description: _____

Type:

Job:

Page: 4 of 9



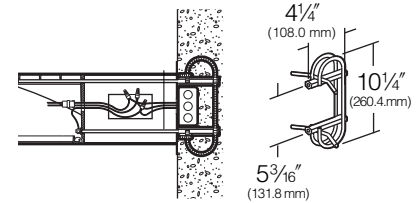
Optional Features

Wall Mounting

Cat. No. **1W**

Select from Mounting on page 2.

Modified support arm with side access to allow field splices within the arm, for poured concrete walls only. An electro-zinc plated steel wall embedment bracket is provided to accept draw-bolts. Trim plate provided to cover junction box, finished to match fixture and arm. Wall embedment bracket provides $\frac{3}{8}$ "-16 bolt receptacles welded in a galvanized re-bar cage for casting into poured-in-place concrete walls. Bolt receptacles receive standard draw bolts inside fixture arm, or any $\frac{3}{8}$ "-16 bolt (by others).



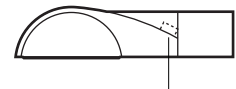
Wall mount using wall embedment bracket - J-box in wall (by others)

Photocell Receptacle

Cat. No. **A-25**
 No Option

Fixture supplied with a fully gasketed receptacle above the electrical compartment for NEMA base photocell (by others).

For all multiple configurations, each fixture is supplied with an individual Photocell Receptacle.



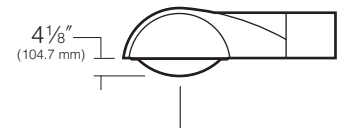
Photocell Receptacle

Convex Glass Lens

Cat. No. **CGL**
 No Option

The $\frac{3}{16}$ " thick clear convex tempered glass lens replaces the standard flat glass lens. Gives increased lens presence and provides a subtle improvement in uniformity where pole spacing is extreme. Increases effectiveness of houseside shielding.

NOTE: Brightness control goes from Full Cutoff to Cutoff.

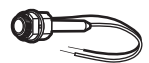


Convex Glass Lens

Fusing

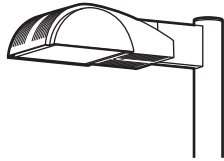
Cat. No. **(see right)**
 No Option

Line Volts: 120V 208V 240V 277V 347V 480V
 Cat. No.: **SF** **DF** **DF** **SF** **SF** **DF**



Type:

Job:

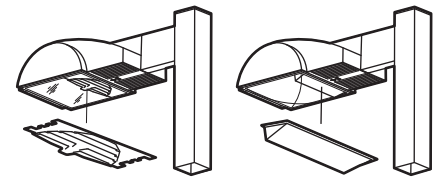


Optional Features

Houseside Shield

Cat. No. **(See right)**
 No Option

(Types II, III, and IV only). Fixtures with the standard flat glass lens are available with stamped aluminum louvers that pass streetside light and block houseside light, also a black panel is added to the reflector to reduce houseside reflections. Fixtures with the optional convex glass lens are available with a formed aluminum shield that passes streetside light and blocks houseside light, also with a black panel added to the reflector to reduce houseside reflections. Use with clear lamps only, as coated lamps reduce effectiveness.



HS
for flat lens

HSC
for convex lens

Cat. No.

HS Not recommended for use with HPS lamps due to arc tube length. Recommended for use with clear lamps only. Effectiveness is reduced with coated lamps. Not for use with Type V light distribution.

HSC For fixtures with optional convex glass lens. Not recommended for use with HPS lamps due to arc tube length. Recommended for use with clear lamps only. Effectiveness is reduced with coated lamps. Not for use with Type V light distribution.

Neighbor Friendly Shield

Cat. No. **NFS**
 No Option

(Type IV only) Stamped internal shield and blocking panels are used to direct and redirect lighting into a forward throw distribution. The amount of light directed and redirected toward the back of the luminaire is dramatically reduced to create extremely low glare behind the pole. Only available on the Type IV reflectors.

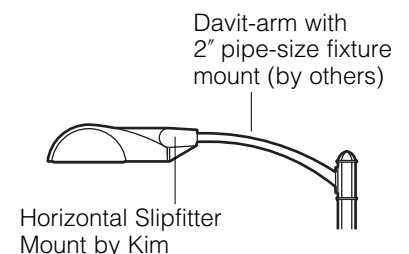


Neighbor
Friendly Shield
for flat lens

Horizontal Slipfitter Mount

Cat. No. **HSF**
 No Option

Replaces standard mounting arm with a slipfitter for mounting to a horizontal pole davit-arm with 2" pipe-size mounting end (2³/₈" O.D.). Cast aluminum slipfitter with set screws providing ±5° vertical fixture adjustment. Bolts to housing from inside the electrical compartment using mounting holes for the standard support arm. Davit-arm must be field drilled at a set screw location to insure against fixture rotation. Finished to match fixture.



Horizontal Slipfitter
Mount by Kim

Davit-arm with
2" pipe-size fixture
mount (by others)

Special Options for Street Lighting

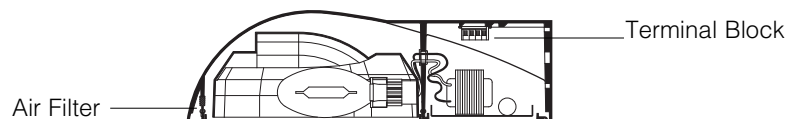
Cat. No. **AF**
 TB
 No Option

Air Filter: Allows for ventilation through the optical chamber, filtering all air particles above 500 microns. Multi-layer disc assembly mounted on solid wall between optical and ballast compartments.

Cat. No. **AF**

Terminal Block: (For field wire connections.) 85AMP, 600V box clamp terminal block mounted to the housing inside the electrical compartment. Each port accepts wire sizes #14AWG through #4AWG, Factory prewired to electrical module quick-disconnect plug.

Cat. No. **TB**



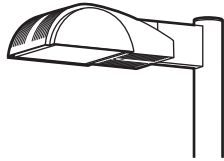
Air Filter

Terminal Block

Type:

Job:

Page: 6 of 9



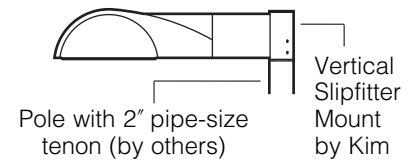
Optional Features

Vertical Slipfitter Mounts

Cat. No. (See chart on right)
 No Option

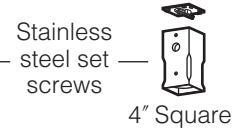
For existing pole installation or for use with poles provided by others.

For Standard Fixtures: Allows fixture with standard support arm to be mounted to steel poles having a steel 2" pipe-size tenon (2³/₈" O.D. x 4¹/₂" min. length). 4" round or square cast aluminum with flush cap, secured to pole tenon by four 3/8" stainless steel set point allen screws. Finished to match fixture and arm.



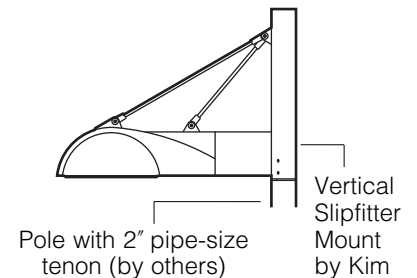
Mounting Configuration
1XA - single arm mount
2XB - 2 at 180°
2XL - 2 at 90°
3XT - 3 at 90°
3XY - 3 at 120°
4XC - 4 at 90°

Cat. No.
 VSF-1XA
 VSF-2XB
 VSF-2XL
 VSF-3XT
 VSF-3XY
 VSF-4XC



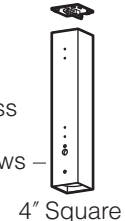
Cat. No.
 SVSF-1XA
 SVSF-2XB
 SVSF-2XL
 SVSF-3XT
 SVSF-4XC

For Fixtures with Structural Options: Allows fixture with structural options to be mounted to steel poles having a steel 2" pipe-size tenon (2³/₈" O.D. x 4¹/₂" min. length). 4" round or square extruded aluminum with internal cast aluminum reinforcement, flush cap, secured to pole tenon by four 3/8" stainless steel set point allen screws. Finished to match fixture and arm.



Mounting Configuration
1XA - single arm mount
2XB - 2 at 180°
2XL - 2 at 90°
3XT - 3 at 90°
3XY - 3 at 120°
4XC - 4 at 90°

Cat. No.
 STRF-1XA
 STRF-2XB
 STRF-2XL
 STRF-3XT
 STRF-3XY
 STRF-4XC







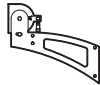
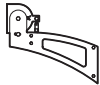
Cat. No.
 STSF-1XA
 STSF-2XB
 STSF-2XL
 STSF-3XT
 STSF-4XC

NOTE: Not available for **GS** Gusset.

Support Arm:

NOTE: Refer to Kim Lighting's Architectural Arms Catalog for complete details.

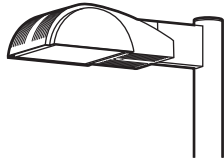
Optional Support Arm **cannot be used with #12 Pole Mounted Structural Option.**

Arm Cat. No.:	AA01	AA03	AA05	AA07	AA09	AA11
Mounting:	 Swept Solid Arm	 Swept Hollow Arm	 Upsweep Solid Arm	 Upsweep Hollow Arm	 Uplift Adjustable Aluminum Arm	 Uplift Adjustable Stainless Steel Arm
1A	EPA for	3.1	2.7	3.3	2.8	3.5
2B	fixture	6.2	5.4	6.6	5.6	7.0
2L	and arm:	4.1	3.7	4.3	3.8	4.5
3T		7.2	6.4	7.6	6.6	8.0
3Y		7.2	6.4	7.6	6.6	8.0
4C		7.7	6.9	7.9	6.9	8.5

Type:

Job:

Page: 7 of 9



Optional Features

Pole Mounted Structural Options

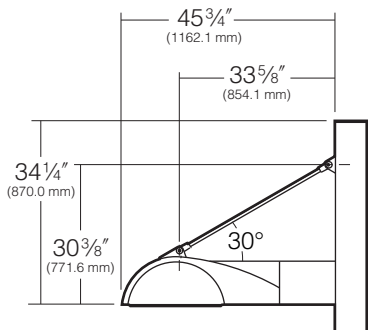
Cat. No. (See right)
 No Option

TS - Single Tension Rod: Rod has die-cast aluminum clevis which fasten to die-cast aluminum cleats. Fixture cleat is factory mounted. Pole cleat is field mounted, and is circular cut for precise mating to round poles. Rod diameter is .500". All fasteners are blackened stainless steel.

Cat. No.

- TSP** Structural option rod and clevis detail is finished to match fixture.
- TSN** Structural option rod is stainless steel with nickel plated clevis. All Kim poles are pre-drilled to accept fixture arm and tension rod cleat.

Mounting: 1A 2B 2L 3T 3Y 4C
EPA: 3.6 7.2 4.6 8.2 8.2 8.7

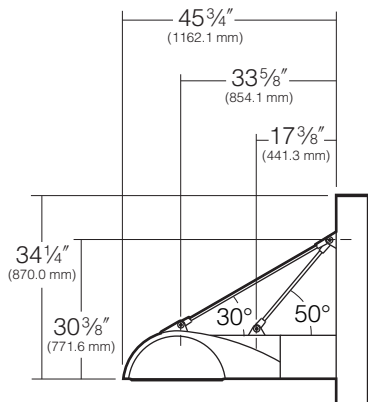


TD - Double Tension Rods: Rods have die-cast aluminum end brackets which fasten to die-cast aluminum cleats. Fixture cleats are factory mounted. Pole cleat is field mounted, and is circular cut for precise mating to round poles. Rod diameter is .500". All fasteners are blackened stainless steel.

Cat. No.

- TDP** Structural option rod and clevis details are finished to match fixture
- TDN** Structural option rod is stainless steel with nickel plated clevis. All Kim poles are pre-drilled to accept fixture arm and tension rod cleats

Mounting: 1A 2B 2L 3T 3Y 4C
EPA: 3.65 7.3 4.65 8.3 8.3 8.8

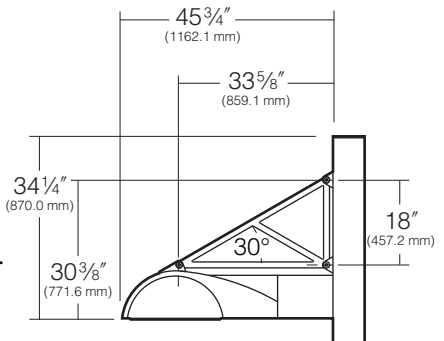


TR - Truss: Cast aluminum truss is fastened to die-cast aluminum cleats. Fixture cleat is factory mounted. Pole cleats are field mounted, and are circular cut for precise mating to round poles. Truss members are 1" square. All fasteners are blackened stainless steel. All Kim poles are pre-drilled to accept fixture arm and truss cleats.

Cat. No.

- TR** Structural option is finished to match fixture.

Mounting: 1A 2B 2L 3T 3Y 4C
EPA: 3.9 7.8 5.2 8.9 8.9 9.7

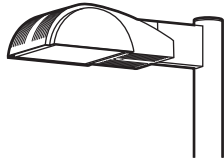


Pole Mounted Structural Options continued on page 8.

Type:

Job:

Page: 8 of 9



Optional Features

Pole Mounted Structural Options

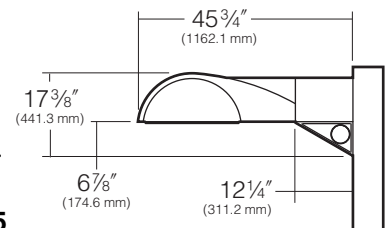
(Continued from page 7)

GS - Gusset: Cast aluminum gusset is field mounted to the fixture arm, and circular cut for precise mating to round poles.

Cat. No.

GS Structural option is finished to match fixture.

Mounting: 1A 2B 2L 3T 3Y 4C
EPA: 3.75 7.5 4.8 8.55 8.55 9.05



Wall Mounted Structural Options

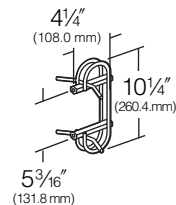
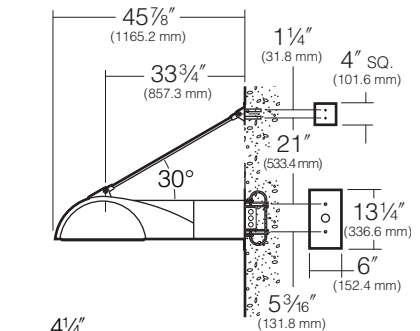
Cat. No. (See right)
 No Option

TS - Single Tension Rod: Rod has die-cast end brackets which fasten to die-cast aluminum cleats. Fixture cleat is factory mounted. Wall cleat is mounted with two 10-32 stainless steel screws (anchors in wall by others), and includes an aluminum bearing plate. Rod diameter is .500". All fasteners are blackened stainless steel. The wall embedment bracket provides 3/8"-16 bolt receptacles welded in a galvanized re-bar cage for casting into poured-in-place concrete walls. Bolt receptacles receive standard draw bolts inside fixture arm, or any 3/8"-16 bolt (by others).

Cat. No.

TSP-W Structural option rod and clevis detail is finished to match fixture.

TSN-W Structural option rod is stainless steel with nickel plated clevis.



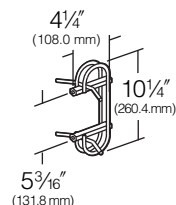
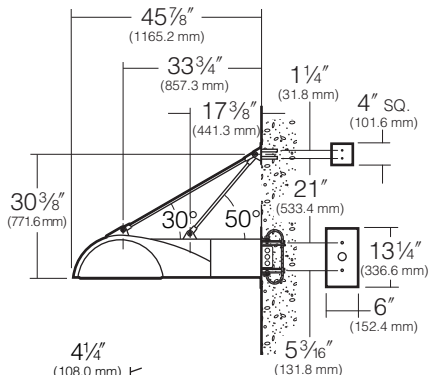
Wall embedment bracket - J-box in wall (by others)

TD - Double Tension Rods: Rods have die-cast end brackets which fasten to die-cast aluminum cleats. Fixture cleats are factory mounted. Wall cleat is mounted with two 10-32 stainless steel screws (anchors in wall by others), and includes an aluminum bearing plate. Rod diameter is .500". All fasteners are blackened stainless steel. The wall embedment bracket provides 3/8"-16 bolt receptacles welded in a galvanized re-bar cage for casting into poured-in-place concrete walls. Bolt receptacles receive standard draw bolts inside fixture arm, or any 3/8"-16 bolt (by others).

Cat. No.

TDP-W Structural option rods and clevis details are finished to match fixture.

TDN-W Structural option rods are stainless steel with nickel plated clevis.

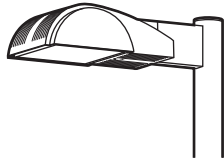


Wall embedment bracket - J-box in wall (by others)

Wall Mounted Structural Options continued on page 9.

Type:

Job:



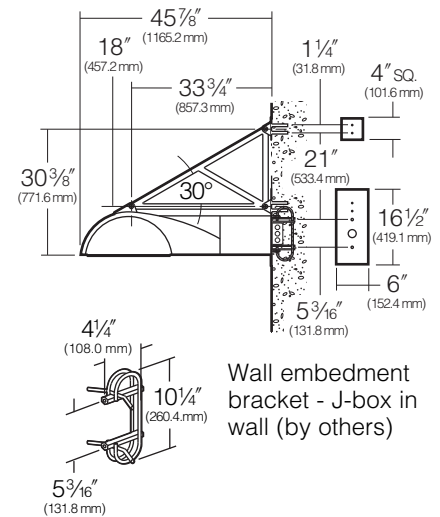
Optional Features

Wall Mounted Structural Options (Continued from page 8)

TR - Truss: Cast aluminum truss is fastened to die-cast aluminum cleats. Fixture cleat is factory mounted. Top wall cleat is mounted with two 10-32 stainless steel screws (anchors in wall by others), and includes an aluminum bearing plate. Lower wall cleat is factory mounted to an extended wall bearing plate. Truss members are 1" square. All fasteners are blackened stainless steel. The wall embedment bracket provides 3/8"-16 bolt receptacles welded in a galvanized re-bar cage for casting into poured-in-place concrete walls. Bolt receptacles receive standard draw bolts inside fixture arm, or any 3/8"-16 bolt (by others).

Cat. No.

TR-W Structural option is finished to match fixture.

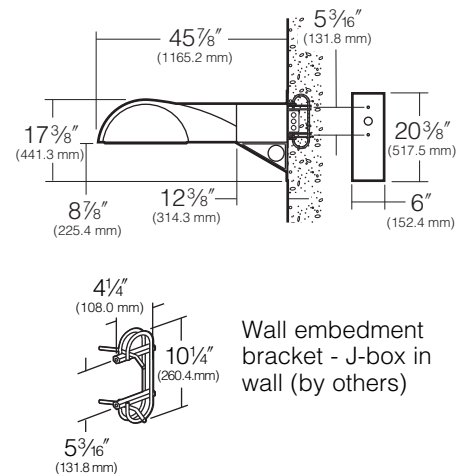


Wall embedment bracket - J-box in wall (by others)

GS - Gusset: Cast aluminum gusset is field mounted to the fixture arm. An extended wall bearing plate provides visual backing for the gusset. The wall embedment bracket provides 3/8"-16 bolt receptacles welded in a galvanized re-bar cage for casting into poured-in-place concrete walls. Bolt receptacles receive standard draw bolts inside fixture arm, or any 3/8"-16 bolt (by others).

Cat. No.

GS-W Structural option is finished to match fixture.



Wall embedment bracket - J-box in wall (by others)

NOTE: Luminaires are designed for down facing mounting only - do not mount inverted, in up facing position.