



Type:
Job:
Catalog number:

Approvals:

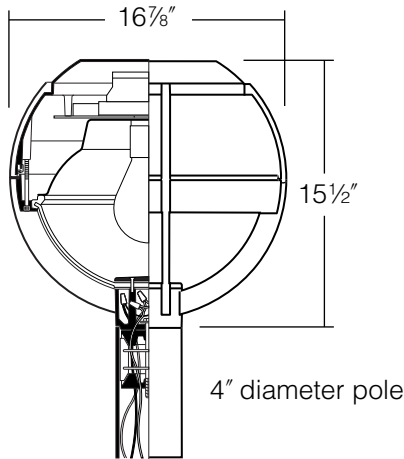
/	/	/	/	/	
Mtg.	Fixture	Electrical Module	Finish	Options	Pole*
See page 3		See page 4		See page 4	

Date:
Page: 1 of 4

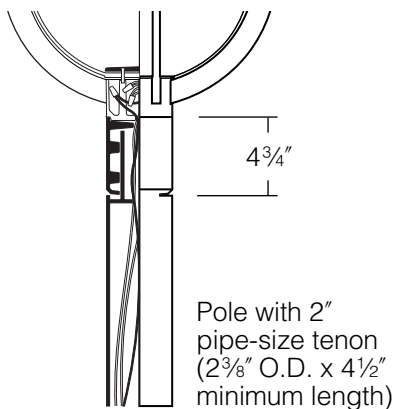
Select pole from Kim Arms and Poles Selection Guide. If pole is provided by others indicate O.D. for arm fitting.

Specifications

Single Mount: EPA = 1.0; Max weight = 30 lb
Double Mount: EPA = 3.0; Max weight = 70 lb



Flush Mount (FM)



Pole Tenon Mount (PT)

Housing: One-piece die-cast aluminum with integral hinge and support arm extensions that continue upward from the lens frame. Housing hinges upward for lamp and ballast access, and is held in the open position by a stainless steel self-locking stop arm freeing both hands for servicing. Hinge pin is stainless steel and the housing gasket is one piece silicone.

Lens Frame: One-piece die-cast aluminum with integral hinge and four sets of twin support arms at 90° intervals. Support arms form a spherical shape and blend with the housing support arm extensions. A single stainless steel socket head screw is held captive between two support arms for securing the housing. Lens is clear 3/16" thick injection molded UV stabilized acrylic hemisphere. Lens is held in the lens frame by stainless steel clips and sealed by a one-piece silicone gasket. Lens is also sealed at the support hub by a one-piece silicone gasket. The integral support hub contains a field-splice compartment, a silicone gasketed cover and one of two pole attachment means, flush post top mounting or pole tenon mounting.

Vertical Lamp Reflector Module V5: Specular Alzak® optical segments mounted within a one-piece spun aluminum shell. Reflector modules attach to housing with keyhole slots. Optical chamber is totally sealed by silicone gaskets at the Housing/Lens Frame interface.

Electrical Module and Lamp: AHF generator is UL and CSA recognized, and mounted on a single mounting plate. Fluctuations in supply voltage have a negligible effect on light output. >0.9 power factor, -20°C (-4°F.) starting. >80% light output in 10 seconds. High frequency operation produces no flickering, noise or stroboscopic effects. Lamp offers <20% failure at 60,000 hours, and <50% failure at 100,000 hours. Instant restart; <0.1 seconds. Lumen maintenance over 70% of initial light output is maintained after 60,000 hours. 85 watt lamp is rated at 6000 lumens or 70 lumens per watt. Color temperature: 4000°K. white light, CRI>80, no color deviation. Fixtures must be grounded in accordance with local codes or the National Electrical Code. Failure to do so may result in serious personal injury.

Finish: Super TGIC thermoset polyester powder coat paint, 2.5 mil nominal thickness, applied over a titanated zirconium conversion coating; 2500 hour salt spray test endurance rating. Standard colors are Black, Dark Bronze, Light Gray, Stealth Gray™, Platinum Silver, or White. Custom colors are available.

Warranty: Kim Lighting warrants Induction Lighting System luminaires to be free from defects in workmanship for a period of one (1) year on the housing and metal parts, and carry Philips' Lighting Company QL Induction Lighting System five (5) year warranty, from the date of sale of such goods to the buyer as specified in Kim Lighting shipment documents for each product. For an extended warranty coverage, contact factory.

CAUTION: Fixtures must be grounded in accordance with national, state and/or local electrical codes. Failure to do so may result in serious injury.

Listings and Ratings			
UL cUL 1598 ¹	CE	IP66 Rated	25C Ambient
IES Cut Off Classified			

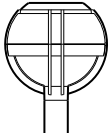
¹Suitable for wet locations
KIM LIGHTING RESERVES THE RIGHT TO CHANGE SPECIFICATIONS WITHOUT NOTICE.





Type:

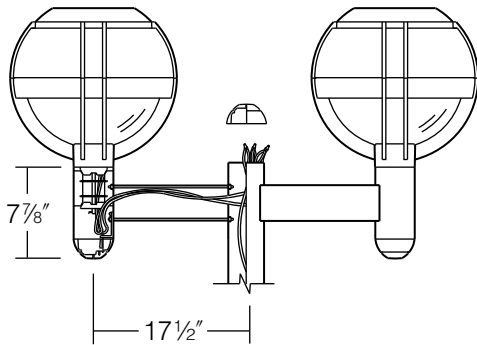
Job:



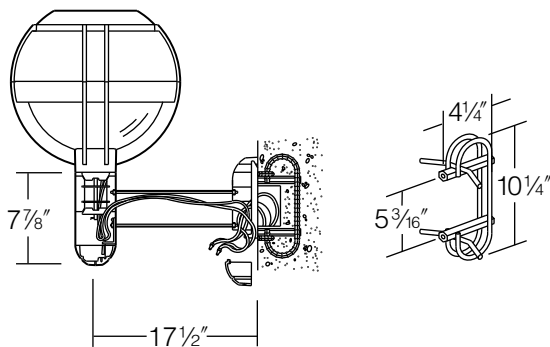
Standard Mountings

Specifications

Single Mount: EPA = 1.0; Max weight = 30 lb
Double Mount: EPA = 3.0; Max weight = 70 lb



Twin Arm Mount (2SB)



Wall Mount (1W)

Fixture shown with optional **WEB**

Flush Mount (FM): Flush post top mount by means of an expansion device activated by a single bolt within the splice compartment. Pole must have a square-cut plain top. Standard pole size is 4" O.D. (3 3/8" O.D. pole adapter available upon request).

Pole Tenon Mount (PT): Pole tenon mounting by means of a cast aluminum adapter containing four recessed 3/8" stainless steel allen head set point screws. Pole must have a 2" pipe-size tenon (2 3/8" O.D. X 4 1/2" min. length). Pole tenon must be field drilled at one set screw location to insure against fixture rotation.

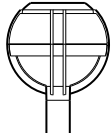
Twin Arm Mount (2SB): Two extruded aluminum oval arms are supplied with internal concealed draw bolts for attachment to Kim 4" O.D. poles with predrilled mounting holes (see Pole Ordering & Specifications). Arms are 180° apart, supplied with an internal pole reinforcing plate with wire strain relief and an extruded aluminum riser for mounting **FM** (Flush Mount) fixtures only. A cast aluminum pole cap and matching riser cap are included, and all components are mechanically fastened to eliminate welds and visible fasteners.

Wall Mounting (1W): A cast aluminum mounting bracket is furnished for attachment to wall. (Attachment means and strength of wall by others). An optional Wall Embedment Bracket (**WEB**) is available for casting into poured-in-place concrete walls. Bracket is galvanized steel with receptacles for two 3/8" bolts provided. Extruded aluminum oval arm is factory assembled to an extruded aluminum fixture support riser and a cast aluminum wall cover plate. Fixture riser has a cast aluminum bottom cap, and wall cover plate has a removable cast aluminum cover for field splice access. Complete arm assembly can be mounted before field splices are made. All arm, cap and cover plate components are curvilinear forms to match the fixture design, and all components are mechanically attached with no visible welds or fasteners. All wall components are finished to match the fixture.

Type:

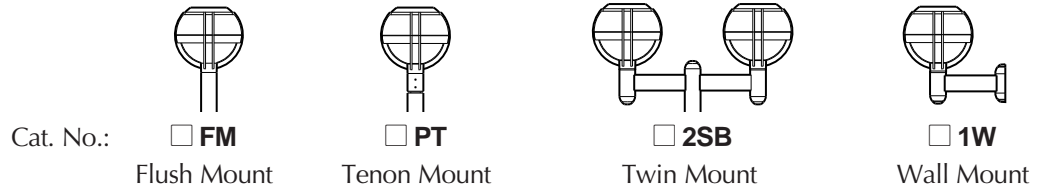
Job:

Page: 3 of 4



Standard Features

Mounting

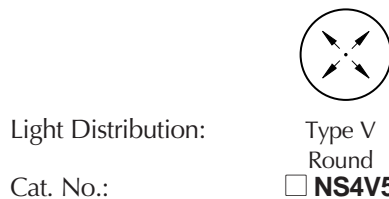


Fixture

Cat. No. designates fixture, lens type, lamp orientation and light distribution.

H = Horizontal Lamp

V = Vertical Lamp



Electrical Module

IF = Induction Fluorescent

Lamp Lamp Line
 Watts Type Volts

85 IF 277

Cat. Nos. for Electrical Modules available:

- 85IF120**
- 85IF208**
- 85IF240**
- 85IF277**

Lamp	Induction Lamp
ANSI Ballast	Electronic
Total System Watts	89

Finish

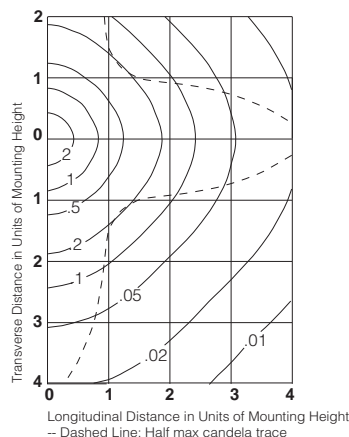
Super TGIC powder coat paint over a titanated zirconium conversion coating.

Color: Black Dark Bronze Light Gray Stealth Gray™ Platinum Silver White Custom Color
 Cat. No.: **BL** **DB** **LG** **SG** **PS** **WH** **CC**

¹Custom colors subject to additional charges, minimum quantities and extended lead times. Consult representative. Custom color description: _____

Photometrics

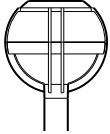
Cat. #: NS4V5/85IF
 Report #: ITL45973
 85 Watt
 16' Mounting Height



Type:

Job:

Page: 4 of 4



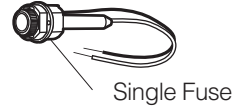
Optional Features

Fusing (internal only):

Cat. No. (see chart at right)
 No Option

High temperature fuse holders factory installed inside the fixture housing. Fuse is included.

Line Volts: 120V 208V 240V 277V
 Cat. No.: SF DF DF SF

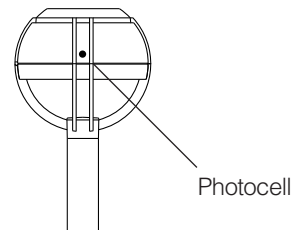


Photocell Control

Cat. No. (see right)
 No Option

Photocell is factory prewired inside fixture housing with sensor located externally between two support ribs. For twin arm mount, each fixture has a photocell.

Cat. No. Line Volts:
 A-30 120V
 A-31 208V
 A-32 240V
 A-33 277V

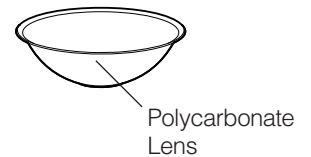


Polycarbonate Lens

Cat. No. WP
 No Option

Supplied with a one-piece vacuum formed white UV stabilized $\frac{3}{16}$ " thick injection molded polycarbonate hemispherical lens replacing standard acrylic lens. Full silicone gasketed top and bottom.

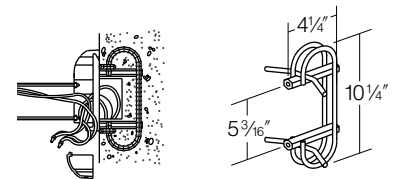
NOTE: Use only when vandalism is anticipated to be high. Useful life is limited by UV discoloration from sunlight and metal halide lamps.



Wall Mounting

Cat. No. WEB
 No Option

The optional Wall Embedment Bracket (**WEB**) is for Wall Mount (**1W**) only. WEB is for casting into poured-in-place concrete walls. Bracket is zinc plated steel with receptacles for two $\frac{3}{8}$ " bolts provided.



Wall mount using wall embedment bracket - J-box in wall (by others)

Poles

See Kim Arms and Poles Selection Guide for a complete selection of square and round poles in aluminum or steel.