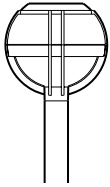




Type:

Job:

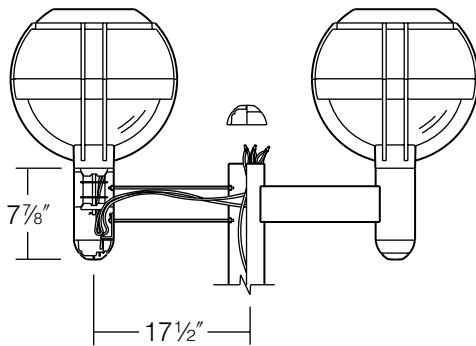
Page: 2 of 4



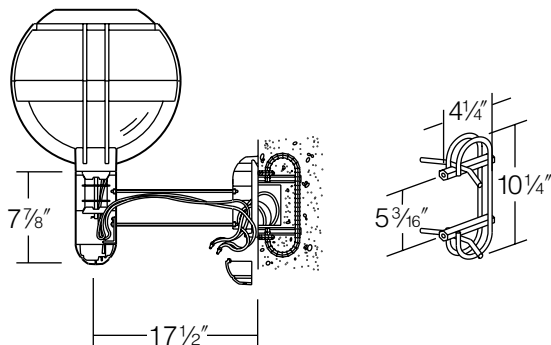
## Standard Mountings

### Specifications

Single Mount: EPA = 1.0; Max weight = 30 lb  
 Double Mount: EPA = 3.0; Max weight = 70 lb



**Twin Arm Mount (2SB)**



**Wall Mount (1W)**

Fixture shown with optional **WEB**

**Flush Mount (FM):** Flush post top mount by means of an expansion device activated by a single bolt within the splice compartment. Pole must have a square-cut plain top. Standard pole size is 4" O.D. (3 3/8" O.D. pole adapter available upon request). See diagram on page 1.

**Pole Tenon Mount (PT):** Pole tenon mounting by means of a cast aluminum adapter containing four recessed 3/8" stainless steel allen head set point screws. Pole must have a 2" pipe-size tenon (2 3/8" O.D. X 4 1/2" min. length). Pole tenon must be field drilled at one set screw location to insure against fixture rotation. See diagram on page 1.

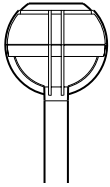
**Twin Arm Mount (2SB):** Two extruded aluminum oval arms are supplied with internal concealed draw bolts for attachment to Kim 4" O.D. poles with predrilled mounting holes (see Pole Ordering & Specifications). Arms are 180° apart, supplied with an internal pole reinforcing plate with wire strain relief and an extruded aluminum riser for mounting **FM** (Flush Mount) fixtures only. A cast aluminum pole cap and matching riser cap are included, and all components are mechanically fastened to eliminate welds and visible fasteners.

**Wall Mounting (1W):** A cast aluminum mounting bracket is furnished for attachment to wall. (Attachment means and strength of wall by others). An optional Wall Embedment Bracket (**WEB**) is available for casting into poured-in-place concrete walls. Bracket is galvanized steel with receptacles for two 3/8" bolts provided. Extruded aluminum oval arm is factory assembled to an extruded aluminum fixture support riser and a cast aluminum wall cover plate. Fixture riser has a cast aluminum bottom cap, and wall cover plate has a removable cast aluminum cover for field splice access. Complete arm assembly can be mounted before field splices are made. All arm, cap and cover plate components are curvilinear forms to match the fixture design, and all components are mechanically attached with no visible welds or fasteners. All wall components are finished to match the fixture.

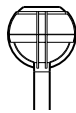
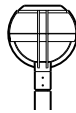
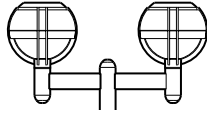
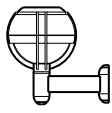

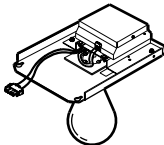
Type:

Job:

Page: 3 of 4



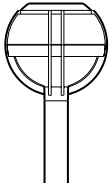
## Standard Features

<p><b>Mounting</b></p>	<div style="display: flex; justify-content: space-around; align-items: center;"> <div style="text-align: center;">   <input type="checkbox"/> <b>FM</b> Flush Mount         </div> <div style="text-align: center;">   <input type="checkbox"/> <b>PT</b> Tenon Mount         </div> <div style="text-align: center;">   <input type="checkbox"/> <b>2SB</b> Twin Mount         </div> <div style="text-align: center;">   <input type="checkbox"/> <b>1W</b> Wall Mount         </div> </div>																		
<p><b>Fixture</b> Cat. No. designates fixture, lens type, lamp orientation and light distribution.</p> <p><b>V</b> = Vertical Lamp</p>	<div style="text-align: center;">         Light Distribution: Type V Round        Cat. No.: <b>NS4V5</b> </div>																		
<p><b>Electrical Module</b> <b>IF</b> = Induction Lamp (lamp included)</p>	<div style="display: flex; align-items: center;">  <div> <p>Cat. Nos. for Electrical Modules available:</p> <table border="1" style="margin-left: auto; margin-right: auto;"> <thead> <tr> <th>Lamp Watts</th> <th>Lamp Type</th> <th>Line Volts</th> </tr> </thead> <tbody> <tr> <td style="text-align: center;"><b>85</b></td> <td style="text-align: center;"><b>IF</b></td> <td style="text-align: center;"><b>120</b></td> </tr> </tbody> </table> </div> </div> <div style="margin-top: 20px;"> <table style="width: 100%; border-collapse: collapse;"> <tr> <td style="width: 50%;"><input type="checkbox"/> <b>85IF120</b></td> <td style="width: 50%;"></td> </tr> <tr> <td><input type="checkbox"/> <b>85IF208</b></td> <td></td> </tr> <tr> <td><input type="checkbox"/> <b>85IF240</b></td> <td></td> </tr> <tr> <td><input type="checkbox"/> <b>85IF277</b></td> <td></td> </tr> </table> <table style="width: 100%; border-collapse: collapse; margin-top: 10px;"> <tr> <td style="width: 50%; border-right: 1px solid black; padding-right: 5px;">Lamp</td> <td style="padding-left: 5px;">Induction</td> </tr> <tr> <td style="border-right: 1px solid black; padding-right: 5px;">Ballast Type</td> <td style="padding-left: 5px;">Electronic</td> </tr> </table> </div>	Lamp Watts	Lamp Type	Line Volts	<b>85</b>	<b>IF</b>	<b>120</b>	<input type="checkbox"/> <b>85IF120</b>		<input type="checkbox"/> <b>85IF208</b>		<input type="checkbox"/> <b>85IF240</b>		<input type="checkbox"/> <b>85IF277</b>		Lamp	Induction	Ballast Type	Electronic
Lamp Watts	Lamp Type	Line Volts																	
<b>85</b>	<b>IF</b>	<b>120</b>																	
<input type="checkbox"/> <b>85IF120</b>																			
<input type="checkbox"/> <b>85IF208</b>																			
<input type="checkbox"/> <b>85IF240</b>																			
<input type="checkbox"/> <b>85IF277</b>																			
Lamp	Induction																		
Ballast Type	Electronic																		
<p><b>Finish</b> Super TGIC powder coat paint over a chromate conversion coating.</p>	<p>Color:    Black    Dark Bronze    Light Gray    Platinum Silver    White    *Custom Color</p> <p>Cat. No.: <input type="checkbox"/> <b>BL-P</b>    <input type="checkbox"/> <b>DB-P</b>    <input type="checkbox"/> <b>LG-P</b>    <input type="checkbox"/> <b>PS-P</b>    <input type="checkbox"/> <b>WH-P</b>    <input type="checkbox"/> <b>CC-P</b></p> <p>* Custom colors subject to additional charges, minimum quantities and extended lead times. Consult representative. Custom color description: _____</p>																		

Type:

Job:

Page: 4 of 4



## Optional Features

### Fusing

- Cat. No.  SF  
 DF  
 No Option

Fuse holder inside housing.

**Single Fusing (SF)** for 120V, 277V, only.

**Double Fusing (DF)** for 208V, 240V only.

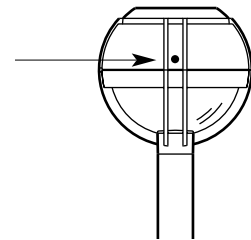
### Photocell Control

- Cat. No. (see right)  
 No Option

Photocell is factory prewired inside fixture housing with sensor located externally between two support ribs. For twin arm mount, each fixture has a photocell.

Cat. No. Line Volts

- A-30** 120V  
 **A-31** 208V  
 **A-32** 240V  
 **A-33** 277V



### Polycarbonate Lens

- Cat. No.  WP  
 No Option

Supplied with a one piece vacuum formed white UV stabilized  $\frac{3}{16}$ " thick injection molded polycarbonate hemispherical lens replacing standard acrylic lens. Full silicone gasketed top and bottom.

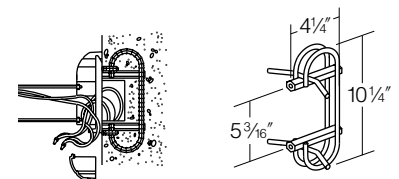
**CAUTION:** Use only when vandalism is anticipated to be high. Useful life is limited by UV discoloration from sunlight and metal halide lamps.



### Wall Mounting

- Cat. No.  WEB  
 No Option

The optional Wall Embedment Bracket (**WEB**) is for Wall Mount (**1W**) only. WEB is available for casting into poured-in-place concrete walls. Bracket is zinc plated steel with receptacles for two  $\frac{3}{8}$ " bolts provided.



Wall mount using wall embedment bracket - J-box in wall (by others)

- Poles**  No Option

See Kim Pole Catalog for a complete selection of square and round poles in aluminum or steel.