

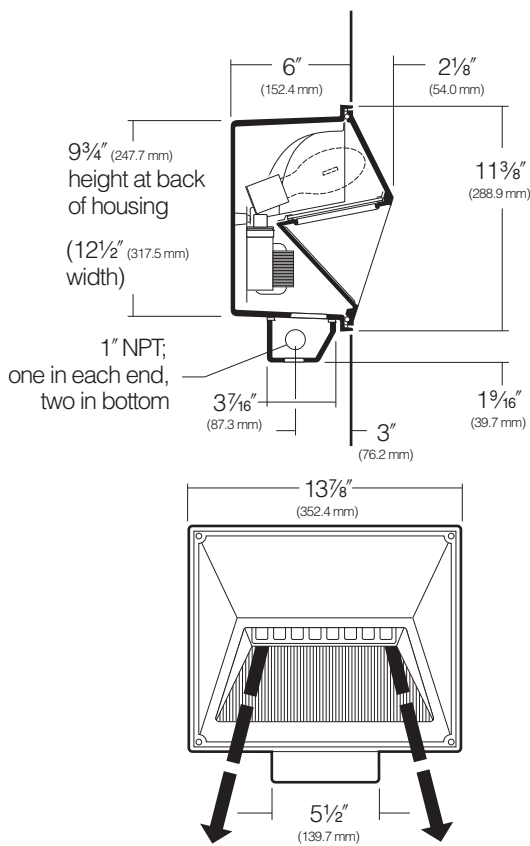
Type:  
Job:  
Catalog number:

Approvals:

LLF-60 / / /  
 Fixture Electrical Module Finish Options  
 See page 2 See page 3

Date:  
Page: 1 of 3

## Specifications



Arrows indicate main thrust of light distribution, in elevation.

Measurements are standard for all LLF fixtures.



KIM LIGHTING RESERVES THE RIGHT TO CHANGE SPECIFICATIONS WITHOUT NOTICE.

**Housing and Junction Box:** Die-cast, low-copper (<0.6% Cu) aluminum to prevent corrosion when cast in concrete. Junction box shall have an internally removable cover, a volume of 25 cu in., and four 1" NPT conduit taps. Two taps in the bottom and one in each end, all with removable plugs. Housing and junction box further protected for permanence by a clear anodize coating. Cover furnished to keep the housing clean until the electrical components are installed.

**Door Frame:** Die-cast, low-copper (<0.6% Cu) aluminum with a fine pebbled texture on the outer surface. Trapezoidal outer contour tilts the lens 18° from vertical. Cast aluminum recessed baffle that conceals the lens from normal view. Baffle shall be internally welded to door frame and internally sealed with black RTV. Door frame secured to housing by four captive stainless steel countersunk socket head screws and has a cast aluminum lens guard.

**Gasketing:** One-piece molded silicone between the door frame and housing. A neoprene gasket provided between the junction box and housing. The entire fixture is weather tight.

**Lens:** Tempered diffused opal white glass, 3/16" min. thickness, with full silicone gasketing around the perimeter. Lens shall be retained by zinc plated steel clips.

**Reflector:** One-piece hydroformed aluminum with Alzak® finish.

**Electrical Module:** Self-contained, factory prewired, and attached to the housing using keyhole slots. All electrical modules are universally mountable in a single housing. Ballasts are high power factor for -20°F. starting. Sockets UL Listed for the appropriate lamps, with High Pressure Sodium and Pulse Start Metal Halide sockets rated 4KV. 26W, 32W, 42W Fluorescent: High power factor with starting temperature of 0°F.

**Finish/Color: (On door frame only):** Finish is Super TGIC thermoset polyester powder coat paint, 2.5 mil nominal thickness, applied over a titanated zirconium conversion coating; A.S.T.M. 2500 hour salt spray test endurance rating. Standard colors are Black, Dark Bronze, Light Gray, Stealth Gray®, Platinum Silver, or White. Custom colors are available.

**Pour Items:** Die-cast, low-copper (<0.6% Cu) aluminum housing and junction box only, less any electrical or optical components.

**Finishing Items:** Electrical module, reflector and door frame. Each set of finishing items shall be in one container, clearly marked for the fixture catalog number.

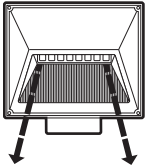
**CAUTION:** Fixtures must be grounded in accordance with national, state and/or local electrical codes. Failure to do so may result in serious personal injury.

Listings and Ratings		
UL cUL 1598 <sup>1</sup>	CE	25C Ambient
	IP66 Rated	
Cutoff <sup>2</sup>		

<sup>1</sup>Suitable for wet locations

<sup>2</sup>Dark sky legislation compliant

Type:  
 Job:



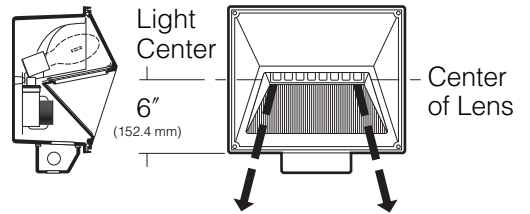
## Standard Features

**Fixture**

Catalog number includes housing and junction box, optical system, and door frame with standard tempered glass lens.

Cat. No.: **LLF-60**

Concealed Lens with Guard, Symmetric Downward Light Throw, Wall Mounted. Arrows indicate main thrust of light distribution, in elevation.



**Electrical Module**

**HPS** = High Pressure Sodium  
**PMH** = Pulse Start Metal Halide  
**PL** = Compact Fluorescent

Cat. Nos. for Electrical Modules available:

High Pressure Sodium

- |  |  |   |
|--|--|---|
| <input type="checkbox"/> <b>50HPS120</b> | <input type="checkbox"/> <b>70HPS120</b> | <input type="checkbox"/> <b>100HPS120</b> |
| <input type="checkbox"/> <b>50HPS208</b> | <input type="checkbox"/> <b>70HPS208</b> | <input type="checkbox"/> <b>100HPS208</b> |
| <input type="checkbox"/> <b>50HPS240</b> | <input type="checkbox"/> <b>70HPS240</b> | <input type="checkbox"/> <b>100HPS240</b> |
| <input type="checkbox"/> <b>50HPS277</b> | <input type="checkbox"/> <b>70HPS277</b> | <input type="checkbox"/> <b>100HPS277</b> |
|  | <input type="checkbox"/> <b>70HPS347</b> | <input type="checkbox"/> <b>100HPS347</b> |

Lamp	ED-17, Clear	ED-17, Clear	ED-17, Clear
Socket	Medium Base	Medium Base	Medium Base
ANSI Ballast Type	S-68	S-62	S-54

Pulse Start Metal Halide

- |  |   |
|--|---|
| <input type="checkbox"/> <b>70PMH120</b> | <input type="checkbox"/> <b>100PMH120</b> |
| <input type="checkbox"/> <b>70PMH208</b> | <input type="checkbox"/> <b>100PMH208</b> |
| <input type="checkbox"/> <b>70PMH240</b> | <input type="checkbox"/> <b>100PMH240</b> |
| <input type="checkbox"/> <b>70PMH277</b> | <input type="checkbox"/> <b>100PMH277</b> |
| <input type="checkbox"/> <b>70PMH347</b> | <input type="checkbox"/> <b>100PMH347</b> |

Compact Fluorescent

- 42PL<sup>1</sup>**

Lamp	ED-17, Clear	ED-17, Clear	Compact Fluor.
Socket	Medium Base	Medium Base	GX24q-4 Base
ANSI Ballast Type	M-98	M-90	

<sup>1</sup>**42PL** operates one 26, 32, or 42 watt lamp at 120 thru 277 volts.

**Finish**

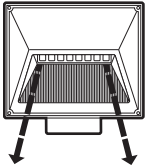
Super TGIC powder coat paint over a titanated zirconium conversion coating.

Color: Black<sup>2</sup> Dark Bronze Light Gray Stealth Gray<sup>®</sup> Platinum Silver White Custom Color<sup>3</sup>  
 Cat. No.:  **BL**  **DB**  **LG**  **SG**  **PS**  **WH**  **CC**


<sup>2</sup>Specify black for minimum fixture brightness.

<sup>3</sup>Custom colors subject to additional charges, minimum quantities and extended lead times. Consult representative. Custom color description: \_\_\_\_\_

Type:  
 Job:



## Optional Features

<p><b>Fusing (internal only):</b>          Cat. No. <b>(see chart at right)</b>  <input type="checkbox"/> No Option</p>	<p>High temperature fuse holders factory installed inside the fixture housing. Fuse is included.</p> <table border="0"> <tr> <td>Line Volts:</td> <td>120V</td> <td>208V</td> <td>240V</td> <td>277V</td> <td>347V</td> </tr> <tr> <td>Cat. No.:</td> <td><input type="checkbox"/> SF</td> <td><input type="checkbox"/> DF</td> <td><input type="checkbox"/> DF</td> <td><input type="checkbox"/> SF</td> <td><input type="checkbox"/> SF</td> </tr> </table>	Line Volts:	120V	208V	240V	277V	347V	Cat. No.:	<input type="checkbox"/> SF	<input type="checkbox"/> DF	<input type="checkbox"/> DF	<input type="checkbox"/> SF	<input type="checkbox"/> SF
Line Volts:	120V	208V	240V	277V	347V								
Cat. No.:	<input type="checkbox"/> SF	<input type="checkbox"/> DF	<input type="checkbox"/> DF	<input type="checkbox"/> SF	<input type="checkbox"/> SF								
<p><b>Emergency Battery Back-up</b>          Cat. No. <input type="checkbox"/> EM  <input type="checkbox"/> No Option          compact fluorescent only.</p>	<p>Internal battery pack provides 90 minutes of supplemental light at 750 lamp lumens on 42 watt compact fluorescent lamps.</p> <div style="text-align: right;">         Battery Back-up     </div>												