

**Type:**  
**Job:**  
**Fixture Catalog number:**

---

Fixture and Finish

**Fixture Options:**

---

Ordered Separately from Fixture  
 See page 2

**Approvals:**

**Date:**  
**Page: 1 of 2**

## Specifications

**Half Shield Lens Ring:** Die-cast low copper alloy aluminum. Five captive 1/4" blackened stainless steel hex-socket cap screws.

**Lens:** Clear tempered soda lime, 3/16" thick, flush with lens ring, slightly crowned.

**Lens Gasket:** One-piece molded silicone, U-channel wraps completely around lens flange.

**Housing:** Die-cast low copper alloy aluminum, clear anodized prior to finishing.

**Bracket:** Mounted on yoke providing ±15° vertical adjustment and 340° rotation, locking screws, black anodized gimble ring.

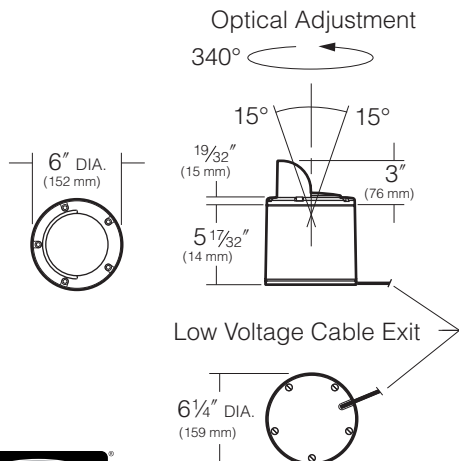
**Cable:** 6' #18-2 12 Volt cable with fork connector, sealed entry into body with anti-siphon plug.

**Optical System:** A total of 3 LED emitters configured in a rectangular array comprised together as a module. Available in 3500K and 5100K.

**Driver:** Constant current electronic driver. Available in 12V input. -40°F. starting temperature. All drivers are Underwriters Laboratories recognized.

**Finish:** Super TGIC thermoset polyester powder coat paint, 2.5 mil nominal thickness, applied over a titanated zirconium conversion coating; 2500 hour salt spray test endurance rating. Standard colors are Black (**BL**), Dark Bronze (**DB**), and Verde Green (**GR**).

**Certification:** UL Listed to U.S. and Canadian safety standards for wet locations.



## ORDERING INFORMATION

Fixture	Source	Finish
<input type="checkbox"/> KLV366/3L3K/BL	3.6W, 3 LED's, 3500K <sup>1</sup>	Black
<input type="checkbox"/> KLV366/3L5K/BL	3.6W, 3 LED's, 5100K <sup>1</sup>	
<input type="checkbox"/> KLV366/3L3K/DB	3.6W, 3 LED's, 3500K <sup>1</sup>	Dark Bronze
<input type="checkbox"/> KLV366/3L5K/DB	3.6W, 3 LED's, 5100K <sup>1</sup>	
<input type="checkbox"/> KLV366/3L3K/GR	3.6W, 3 LED's, 3500K <sup>1</sup>	Verde Green
<input type="checkbox"/> KLV366/3L5K/GR	3.6W, 3 LED's, 5100K <sup>1</sup>	

<sup>1</sup>.3 Max Amps.



KIM LIGHTING RESERVES THE RIGHT TO CHANGE SPECIFICATIONS WITHOUT NOTICE.

Type:




Job:

Page: 2 of 2



## Fixture Options

Ordered Separately from Fixture

<p><b>Lens Accessories</b></p> <p>Cat. No. (See right)</p> <p><input type="checkbox"/> No Option</p>	<p><b>HL73 - Hex Cell Louver:</b> Constructed of hex cell aluminum louvers providing 45° cutoff, mounted in a circular frame, finished in baked high-heat flat black. Can be used in combination with colored lenses. Inserts behind lens into lens gasket. Cannot be used in combination with <b>SL</b> spread or <b>PL</b> prismatic lenses.</p> <p>Cat. No.</p> <p><input type="checkbox"/> <b>HL73</b> Hex Cell Louver</p> 
	<p><b>PL73 - Prismatic Lens:</b> Softens lamp distribution and flattens beam spread. Best with flood lamps. Inserts behind lens into lens gasket. Cannot be used in combination with <b>HL73</b> louver.</p> <p>Cat. No.</p> <p><input type="checkbox"/> <b>PL73</b> Prismatic Lens</p> 
	<p><b>SL73 - Spread Lens:</b> Creates an oval beam pattern, more narrow in one beam axis. Best with spot lamps. Inserts behind lens into lens gasket. Cannot be used in combination with <b>HL73</b> louver.</p> <p>Cat. No.</p> <p><input type="checkbox"/> <b>SL73</b> Spread Lens</p> 
<p><b>Transformer Options</b></p>	<p>See "12-15 Volt Variable Transformers" on kimlighting.com - Product Specifications - Landscape 12 Volt-120Volt section.</p>