

**Type:**  
**Job:**  
**Fixture Catalog number:**

Fixture and Finish

**Fixture Options:**

Ordered Separately from Fixture  
See page 2

**Mounting Options:**

Ordered Separately from Fixture  
See pages 3-4

**Approvals:**

**Date:**  
**Page: 1 of 4**

## Specifications

**Lamp Housing:** Die-cast aluminum with die-cast cover, stainless steel fasteners. Stainless steel set screw lock for aiming pivot.

**Aiming:** Aimable 358° vertically, horizontal aiming controlled by installation on mounting device.

**Ravenna Yoke:** Cast aluminum, stainless steel fasteners and 1/2" NPSM brass nipple mount.

**Lens:** Tempered glass, 1/8" nominal thickness.

**Gasketing:** Silicone gaskets used throughout.

**Socket:** KLV170 G4 to GY6.35 socket for bipin lamp.

**Transformer:** Remote transformer required.

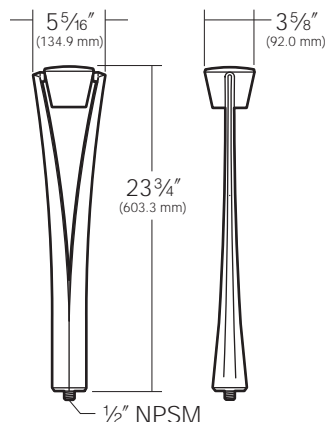
**Wiring:** 6' No. 18-2 12 Volt cable with spade connectors for low voltage cable system connection.

**Optical System:** KLV171 A total of 3 LED emitters configured in a rectangular array comprised together as a module. Available in 3500K and 5100K.

**Driver:** KLV171 Constant current electronic driver. Available in 12V input. -40°F. starting temperature. All drivers are Underwriters Laboratories recognized.

**Finish:** Super TGIC thermoset polyester powder coat paint, 2.5 mil nominal thickness, applied over a titanated zirconium conversion coating; 2500 hour salt spray test endurance rating. Standard colors are Black (**BL**), Dark Bronze (**DB**), and Verde Green (**GR**).

**Certification:** UL Listed to U.S. and Canadian safety standards for wet locations.



### ORDERING INFORMATION

Fixture <sup>1</sup>	Lamp	Finish
<input type="checkbox"/> KLV170BL	20W - 50W MR16 Bipin Halogen	Black
<input type="checkbox"/> KLV170DB	50W MR16 Bipin Halogen	Dark Bronze
<input type="checkbox"/> KLV170GR	50W MR16 Bipin Halogen	Verde Green

Fixture	Source	Finish
<input type="checkbox"/> KLV171/3L3K/BL	3.6W, 3 LED's, 3500K <sup>2</sup>	Black
<input type="checkbox"/> KLV171/3L5K/BL	3.6W, 3 LED's, 5100K <sup>2</sup>	
<input type="checkbox"/> KLV171/3L3K/DB	3.6W, 3 LED's, 3500K <sup>2</sup>	Dark Bronze
<input type="checkbox"/> KLV171/3L5K/DB	3.6W, 3 LED's, 5100K <sup>2</sup>	
<input type="checkbox"/> KLV171/3L3K/GR	3.6W, 3 LED's, 3500K <sup>2</sup>	Verde Green
<input type="checkbox"/> KLV171/3L5K/GR	3.6W, 3 LED's, 5100K <sup>2</sup>	

<sup>1</sup> Remote transformer required.

<sup>2</sup> .3 Max Amps.

U.S. PATENT D407,842  
KIM LIGHTING RESERVES THE RIGHT TO CHANGE SPECIFICATIONS WITHOUT NOTICE.

Type:

Job:

Page: 2 of 4



## Fixture Options

Ordered Separately from Fixture

<p><b>Lens Accessories</b>          Cat. No. (See right)  <input type="checkbox"/> No Option</p>	<p><b>HL - Hex Cell Louver:</b> Constructed of hex cell aluminum louvers providing 45° cutoff, mounted in a circular frame, finished in baked high-heat flat black. Can be used in combination with colored lenses. Inserts behind lens. Cannot be used in combination with <b>SL</b> spread or <b>PL</b> prismatic lenses.</p> <p>Cat. No.  <input type="checkbox"/> <b>HL</b> Hex Cell Louver</p> <hr/> <p><b>PL - Prismatic Lens:</b> Softens lamp distribution and flattens beam spread. Best with flood lamps. Replaces standard lens. Cannot be used in combination with <b>HL</b> louver.</p> <p>Cat. No.  <input type="checkbox"/> <b>PL</b> Prismatic Lens</p> <hr/> <p><b>SL - Spread Lens:</b> Creates an oval beam pattern, more narrow in one beam axis. Best with spot lamps. Replaces standard lens. Cannot be used in combination with <b>HL</b> louver.</p> <p>Cat. No.  <input type="checkbox"/> <b>SL</b> Spread Lens</p>
<p><b>Transformer Options</b></p>	<p>See "12-15 Volt Variable Transformers" on kimlighting.com - Product Specifications - Landscape 12 Volt-120Volt section.</p>

Type:

Job:



## Mounting Options

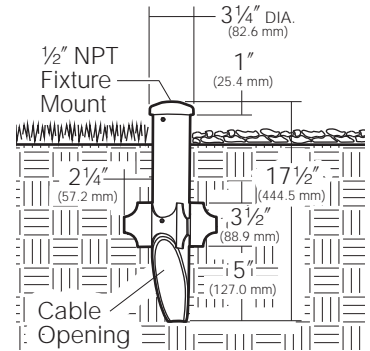
Ordered Separately from Fixture

### Landscape Light Post by Engineered Products Co.

Cat. No.

- EP17  
 No Option

PVC fixture molded in black with 1/2" NPT mount is corrosion free and UV resistant. Replaces EMT, conduit connectors and weatherproof boxes. 100% shatter resistant against denting and cracking. Angled bottom to eliminate cable congestion. 17 1/2" post length

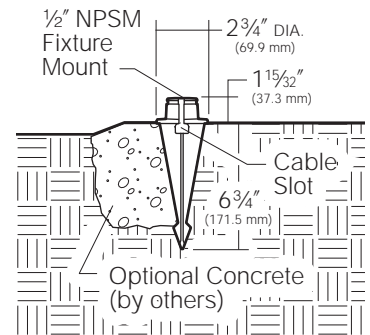


### Low Voltage Spear Mount

- Cat. No.      Finish  
 KLV400BL    Black  
 KLV400DB    Dark Bronze  
 KLV400GR    Verde Green  
 No Option

Die-cast low copper aluminum with 1/2" NPSM fixture mount. Stainless steel set screw locks fixture into mount. Cable slot allows easy fixture mounting before or after installation in ground. Super TGIC powder coat paint over clear anodizing and titanated zirconium conversion coating.

**NOTE:** The KLV400 must be installed in concrete.



### Architectural Junction Box

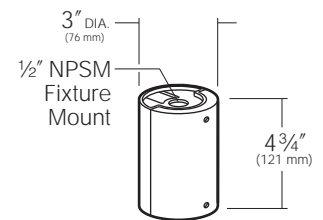
- Cat. No.      Finish  
 JB1/BL      Black  
 JB1/DB      Dark Bronze  
 JB1/GR      Verde Green  
 No Option

Die-cast aluminum with 1/2" NPSM fixture mount. Internal set screw provided for locking position. Two 1/2" NPSM in bottom, 17 cu in. internal volume. Super TGIC powder coat paint over clear anodizing and titanated zirconium conversion coating.

**Application Notes**

- Elevates Accent Lights above ground cover to prevent foliage from blocking the light.
- Elevates Path Lights above ground cover to achieve a greater light throw.

**CAUTION:** Junction box must be installed high enough to avoid contact with soil or standing water.



Type:

Job:



## Mounting Options

Ordered Separately from Fixture

### Brass In-grade Architectural Junction Box

Cat. No.

- JBR-2
- JBR-3
- JBR-21
- JBR-24
- No Option

Die-cast brass with 1/2" NPSM fixture mount and die-cast cover. Internal set screw provided for locking position. 18 cu in. internal volume.

- JBR-2** (2) 1/2" NPT in bottom
- JBR-3** (2) 3/4" NPT in bottom
- JBR-21** (2) 1/2" NPT in sides, (2) 1/2" NPT in bottom
- JBR-24** (4) 1/2" NPT in sides, (2) 1/2" NPT in bottom

All side taps provided with plugs.

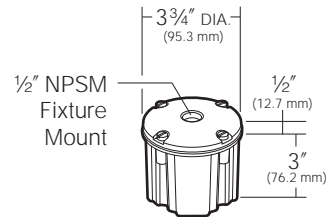
#### 25 Year Limited Warranty:

Solid brass junction boxes are warranted for 25 years, from date of sale, against manufacturing defects and failure due to corrosion.

#### Application Notes

- Creates a flush-mounted appearance.
- May be cast in concrete for increased stability.

**CAUTION:** Fixture stem and swivel must not contact soil or standing water. Provide drainage away from junction box.



### Stanchion Mount

Cat. No.

Finish

- SM18/BL Black
- SM18/DB Dark Bronze
- SM18/GR Verde Green
- No Option

3" O.D. by .188" wall cast aluminum with 1/2" NPSM fixture mount and hand hole with flush cover. Internal set screw fixture lock accessible through hand hole. Internal ground lug supplied with installed lead. Super TGIC powder coat paint over clear anodizing and titanated zirconium conversion coating.

