

Type:
Job:
Fixture Catalog number:

Fixture and Finish

Fixture Options:

Ordered Separately from Fixture
 See page 2

Mounting Options:

Ordered Separately from Fixture
 See pages 3-4

Date:
Page: 1 of 3

Specifications

Housing and Lens Frame: Die-cast brass. Frame with silicone gasket, attaches to housing with four captive 1/4-20 stainless steel, slotted cap screws.

Arm: Cast brass. Head is independently rotatable 300° vertically from top dead center. Head may be positioned straight up. Horizontal rotation of entire fixture controlled by installation on mounting device. Set screw provided for locking position.

Stem: 1/2" schedule 40 brass pipe with 1/2" NPT at bottom plus solid brass locknut for mounting.

Lens: Tempered clear soda lime glass with silicone gasket. Flush with lens frame to promote water runoff when positioned upward.

Socket: KLV165 G4 to GY6.35 socket for bipin lamp.

Wiring: 3' No. 18-2 12 Volt cable with fork connectors.

Optical System: KLV167 A total of 3 LED emitters configured in a rectangular array comprised together as a module. Available in 3500K and 5100K.

Driver: KLV167 Constant current electronic driver. Available in 12V input. -40°F. starting temperature. All drivers are Underwriters Laboratories recognized.

Finish: Natural Brass (**NB**) or Verde Green Patina (**VG**).

Certification: UL Listed to U.S. and Canadian safety standards for wet locations.

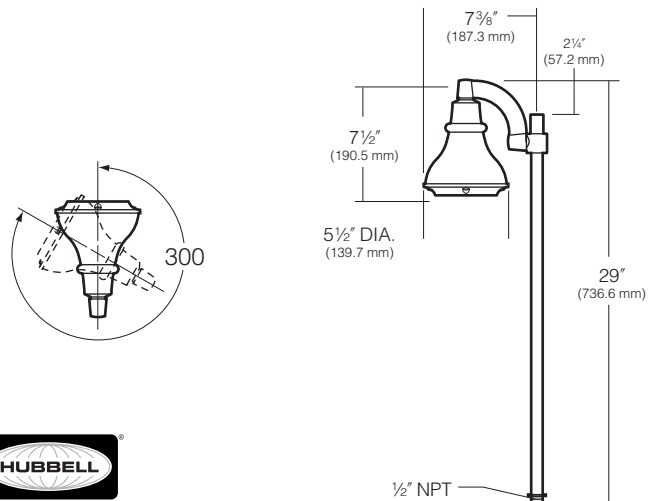
ORDERING INFORMATION

Fixture ¹	Lamp	Finish
<input type="checkbox"/> KLV165NB	50W MR16 Bipin Halogen	Natural Brass
<input type="checkbox"/> KLV165VG	50W MR16 Bipin Halogen	Verde Green Patina

Fixture	Source	Finish
<input type="checkbox"/> KLV167/3L3K/NB	3.6W, 3 LED's, 3500K ²	Natural Brass
<input type="checkbox"/> KLV167/3L5K/NB	3.6W, 3 LED's, 5100K ²	Natural Brass
<input type="checkbox"/> KLV167/3L3K/VG	3.6W, 3 LED's, 3500K ²	Verde Green Patina
<input type="checkbox"/> KLV167/3L5K/VG	3.6W, 3 LED's, 5100K ²	Verde Green Patina

¹Remote transformer required.

².3 Max Amps.

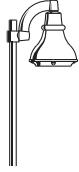


KIM LIGHTING RESERVES THE RIGHT TO CHANGE SPECIFICATIONS WITHOUT NOTICE.

Type:

Job:

Page: 2 of 3



Fixture Options

Ordered Separately from Fixture

Lens Accessories
 Cat. No. (See right)
 No Option

HL72 - Hex Cell Louver: Constructed of hex cell aluminum louvers providing 45° cutoff, mounted in a circular frame, finished in baked high-heat flat black. Can be used in combination with colored lenses. Inserts behind lens into lens gasket. Cannot be used in combination with **SL** spread or **PL** prismatic lenses.



Cat. No.
 HL72 Hex Cell Louver

PL72 - Prismatic Lens: Softens lamp distribution and flattens beam spread. Best with flood lamps. Inserts behind lens into lens gasket. Cannot be used in combination with **HL** louver.



Cat. No.
 PL72 Prismatic Lens

SL72 - Spread Lens: Creates an oval beam pattern, more narrow in one beam axis. Best with spot lamps. Inserts behind lens into lens gasket. Cannot be used in combination with **HL** louver.



Cat. No.
 SL72 Spread Lens

Transformer Options

See "12-15 Volt Variable Transformers" on kimlighting.com - Product Specifications - Landscape 12 Volt-120Volt section.

Type:

Job:

Page: 3 of 3



Mounting Options

Ordered Separately from Fixture

Landscape Light Post by Engineered Products Co.

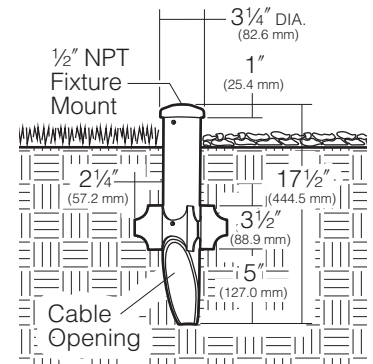
Cat. No.

EP17

No Option

PVC fixture molded in black with 1/2" NPT mount is corrosion free and UV resistant. Replaces EMT, conduit connectors and weatherproof boxes. 100% shatter resistant against denting and cracking. Angled bottom to eliminate cable congestion.

17 1/2" post length



Low Voltage Spear Mount

Cat. No.

Finish

KLV400BL Black

KLV400DB Dark Bronze

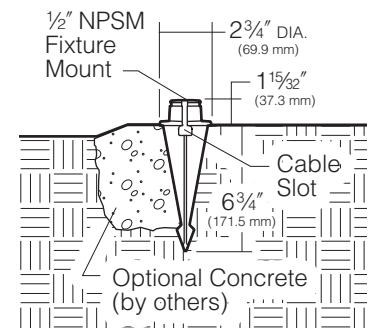
KLV400GR Verde Green

No Option

Die-cast low copper aluminum with 1/2" NPSM fixture mount. Stainless steel set screw locks fixture into mount. Cable slot allows easy fixture mounting before or after installation in ground. Super TGIC powder coat paint over clear anodizing and titanated zirconium conversion coating.

Spear Mounting in Concrete

The KLV400 must be installed in concrete.



Low Voltage Surface Mount

Cat. No.

Finish

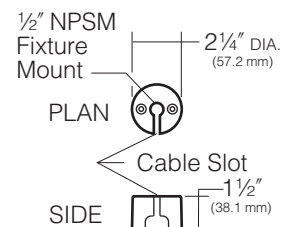
KLV405BL Black

KLV405DB Dark Bronze

KLV405GR Verde Green

No Option

Die-cast low copper aluminum with 1/2" NPSM fixture mount. Stainless steel set screw locks fixture into mount. Two holes provided for flat head wood screws. Super TGIC powder coat paint over clear anodizing and titanated zirconium conversion coating.



Extension Module

Cat. No.

Finish

KLV415BL Black

KLV415DB Dark Bronze

KLV415GR Verde Green

No Option

For raising fixtures to a height above foliage for efficient and unobstructed operation. Constructed of 1 5/8" diameter extruded aluminum with die-cast ends. 1/2" NPSM female thread on one end, and other end has a 1/2" NPSM solid brass nipple. Stainless steel allen head set screw locks fixture onto mount. Super TGIC powder coat paint over titanated zirconium conversion coating. Two modules may be stacked for additional height.

