



**KIM LIGHTING**

**EP17 / JB1 / JBR / JBR30 / SM18 / J-27N**

HID Remote Mounting Options

revision 2/19/09 • hidmtg.pdf

Type:  
Job:  
Mounting Options Catalog number:

Approvals:

Mounting Option and Finish

Date:  
Page: 1 of 3

**Landscape Light Post by Engineered Products Co.**

Cat. No.

EP17

No Option

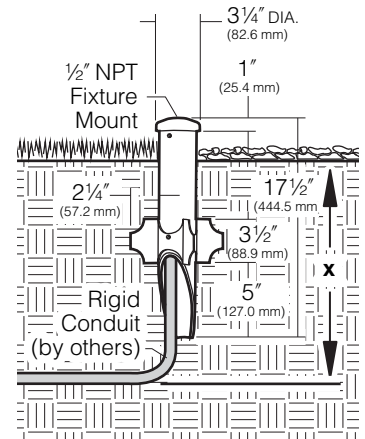
PVC fixture molded in black with 1/2" NPT mount is corrosion free and UV resistant. Replaces EMT, conduit connectors and weatherproof boxes. 100% shatter resistant against denting and cracking. Angled bottom to eliminate cable congestion.

17 1/2" post length

**CAUTION:** EP17 should be used with a UL Listed fixture and grounding means (i.e., third wire) suitable for use in wet locations.

"x" = required depth of conduit per local code.

**NOTE:** Maximum remote mounting distances, see page 3.



**Architectural Junction Box**

Cat. No.

Finish

JB1/BL

Black

JB1/DB

Dark Bronze

JB1/GR

Verde Green

No Option

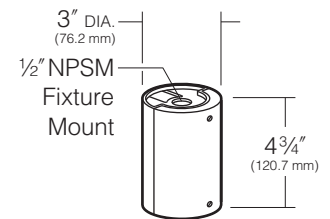
Die-cast, low copper (<0.6% Cu) aluminum with 1/2" NPSM fixture mount. Internal set screw provided for locking position. Two 1/2" NPSM in bottom, 17 cu in. internal volume. Super TGIC powder coat paint over clear anodizing and titanated zirconium conversion.

**Application Notes**

- Elevates accent lights above ground cover to prevent foliage from blocking the light.
- Elevates path lights above ground cover to achieve a greater light throw.

**CAUTION:** Junction box must be installed high enough to avoid contact with soil or standing water.

When installed on a single "feed" conduit, provide additional 24" long stablizer pipe with cap. Installation on single conduit not recommended.



KIM LIGHTING RESERVES THE RIGHT TO CHANGE SPECIFICATIONS WITHOUT NOTICE.



Type:

Job:

## Mounting Options

Ordered Separately from Fixture

### Brass In-grade Architectural Junction Box

Cat. No.

- JBR-2
- JBR-3
- JBR-21
- JBR-24
- No Option

Die-cast brass with 1/2" NPSM fixture mount and die-cast cover. Internal set screw provided for locking position. 18 cu. in. internal volume.

- JBR-2** (2) 1/2" NPT in bottom
- JBR-3** (2) 3/4" NPT in bottom
- JBR-21** (2) 1/2" NPT in sides, (2) 1/2" NPT in bottom
- JBR-24** (4) 1/2" NPT in sides, (2) 1/2" NPT in bottom

All side taps provided with plugs.

#### 25 Year Limited Warranty:

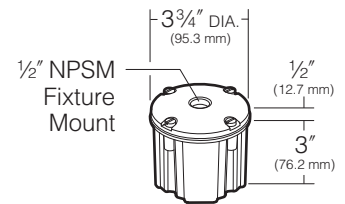
Solid brass junction boxes are warranted for 25 years, from date of sale, against manufacturing defects and failure due to corrosion.

#### Application Notes

- Utilizing conveniently located ballast box, fixtures can be remote mounted.
- Cast brass slowly adopts environmental "patina" adapting itself to the landscape.
- May be cast in concrete for increased stability.

**CAUTION:** Fixture stem and swivel must not contact soil or standing water. Provide drainage away from junction box. Lamp and ballast must be of equal wattage. Ballast box must be installed high enough to encourage water drainage away from the housing.

**NOTE:** Maximum remote mounting distances, see page 3.



### Brass In-grade Staked Junction Box

Cat. No.

- JBR30
- No Option

Die-cast brass with 1/2" NPSM fixture mount and die-cast cover. Internal set screw provided for locking position. 18 cu. in. internal volume.

- (2) 1/2" NPT in bottom with (2) 19" long stakes.

#### 25 Year Limited Warranty:

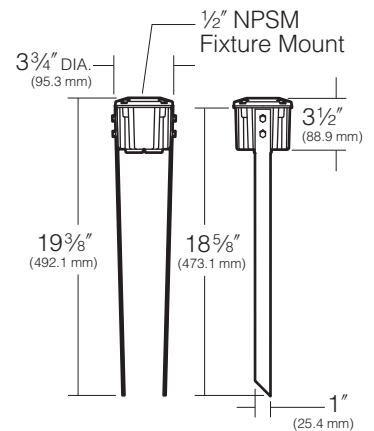
Solid brass junction boxes are warranted for 25 years, from date of sale, against manufacturing defects and failure due to corrosion.

#### Application Notes

- Utilizing conveniently located ballast box, fixtures can be remote mounted.
- Cast brass slowly adopts environmental "patina" adapting itself to the landscape.
- May be cast in concrete for increased stability.

**CAUTION:** Fixture stem and swivel must not contact soil or standing water. Provide drainage away from junction box. Lamp and ballast must be of equal wattage. Ballast box must be installed high enough to encourage water drainage away from the housing.

**NOTE:** Maximum remote mounting distances, see page 3.



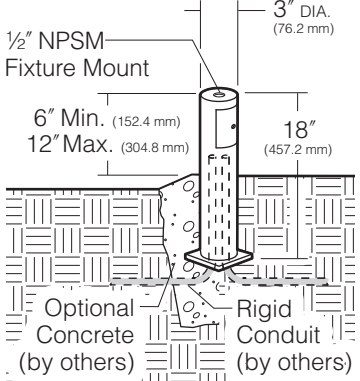
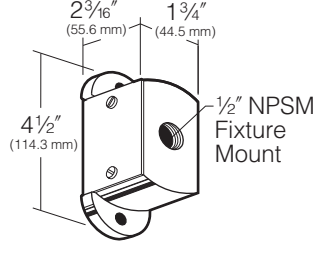


Type:

Job:

## Mounting Options

Ordered Separately from Fixture

<p><b>Stanchion Mount</b></p> <p>Cat. No.      Finish</p> <p><input type="checkbox"/> <b>SM18/BL</b>      Black</p> <p><input type="checkbox"/> <b>SM18/DB</b>      Dark Bronze</p> <p><input type="checkbox"/> <b>SM18/GR</b>      Verde Green</p> <p><input type="checkbox"/> <b>No Option</b></p>	<p>3" O.D. by .188" wall cast, low copper (&lt;0.6% Cu) aluminum with 1/2" NPSM fixture mount and hand hole with flush cover. Internal set screw fixture lock accessible through hand hole. Internal ground lug supplied with installed lead. Super TGIC powder coat paint over clear anodizing and titanated zirconium conversion coating.</p>	
<p><b>Surface Mount</b></p> <p>Cat. No.      Finish</p> <p><input type="checkbox"/> <b>J-27N/BL</b>      Black</p> <p><input type="checkbox"/> <b>J-27N/DB</b>      Dark Bronze</p> <p><input type="checkbox"/> <b>J-27N/GR</b>      Verde Green</p> <p><input type="checkbox"/> <b>No Option</b></p>	<p>Cast, low copper (&lt;0.6% Cu) aluminum with 1/2" NPSM fixture mount. Internal set screw provided for locking position. 5 cu in. internal volume. Super TGIC powder coat paint over clear anodizing and titanated zirconium conversion coating.</p> <p><b>Application Notes</b></p> <ul style="list-style-type: none"> <li>Utilizing conveniently located ballast box, fixtures can be surface mounted.</li> </ul> <p><b>CAUTION:</b> Lamp and ballast must be of equal wattage. Ballast box must be installed high enough to encourage water drainage away from the housing.</p> <p><b>NOTE:</b> For maximum remote mounting distances, see below.</p>	

### Maximum Remote Mounting Distances

For lamps to operate properly, the distance from the ballast to the lamp in wiring feet must not exceed the following:

Lamp Designation      Maximum Distance

<b>35PMH</b>	<b>50'</b>
<b>70PMH</b>	<b>50'</b>
<b>100PMH</b>	<b>50'</b>
<b>150PMH</b>	<b>50'</b>
<b>175PMH</b>	<b>200'</b>
<b>70HPS</b>	<b>50'</b>
<b>100HPS</b>	<b>50'</b>
<b>150HPS</b>	<b>50'</b>