

Type:  
Job:  
Catalog number:

Approvals:

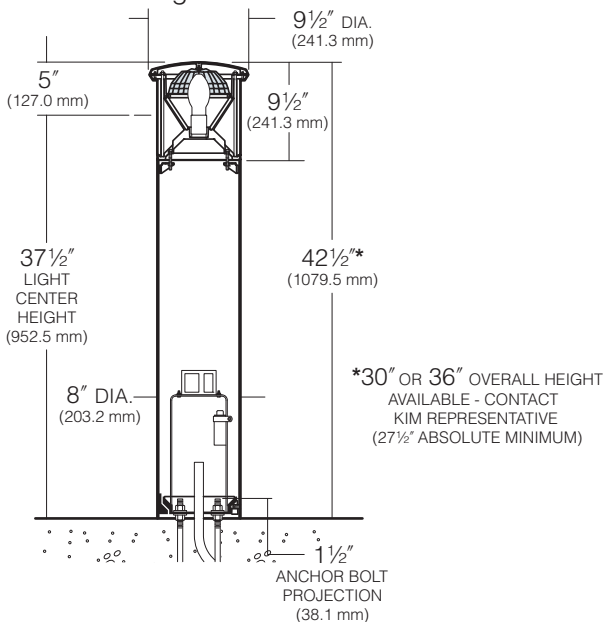
|             |                   |  |                           |
|-------------|-------------------|--|---------------------------|
| <b>GEM1</b> | /                 | /  | /                         |
| Fixture     | Electrical Module | Top Cap Finish<br>(Includes top cap and shaft) | Optional Houseside Shield |
| See page 2  |                   |  |                           |

Date:  
Page: 1 of 3

## Specifications

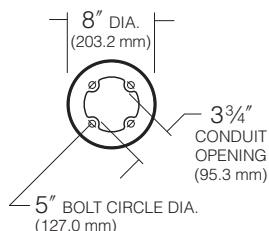
**GEM™ Models**  
70 to 100 watt HID  
Medium Base Lamps  
32 watt Compact Fluorescent  
18, 27 or 36 LED

**GEM1**  
Maximum weight: 28 lb



HID drawing shown above

### BASE PLAN GEM ALUMINUM SHAFT



U.S. PATENT D443,094

**Top Cap:** Die-cast, low copper (< 0.6% Cu) aluminum secured to rib body by captive stainless steel allen cap screws. For lamp access, allen screws shall not require complete removal.

**Supports:** Die-cast, low copper (< 0.6% Cu) aluminum supports secured in place as a complete cage assembly. The top section provides a cutoff lamp compartment. The supports are secured to the shaft by four stainless steel tie rods.

**Refractor:** Thermally tempered soda lime glass sealed with silicone gaskets top and bottom.

**Socket:** Porcelain medium base socket rated 4KV for HID Plastic socket for Fluorescent.

**Shaft:** One-piece aluminum extrusion, .125" minimum wall thickness with a heavy cast aluminum anchor base concealed within the shaft. Hex socket stainless steel set screws shall lock the shaft onto the cast frangible anchor base.

**Ballast:** Factory mounted to rigid harness attached to the anchor base. Wiring shall be supplied from the socket for field connection to the prewired ballast components. **HID:** High power factor with starting temperatures of -20°F. for PMH and -40°F. for HPS lamp modes. **26W, 32W Fluorescent:** High power factor with starting temperature of 0°F.

**LED Optical System:** A total of 9 LED emitters configured in a rectangular array comprised together as a module. Two (2) modules for 18 LED version; three (3) modules for 27 LED version; and four (4) modules for 36 LED version. Available in 3500K and 5100K.

**LED Driver:** Rated for 18, 27 or 36 LED. Universal voltage from 120 to 277V with a ±10% tolerance. -40°F. starting temperature. All drivers are Underwriters Laboratories recognized.

**Anchor Bolts:** Four 3/8" x 10" + 2" zinc plated J-bolts, each with two nuts, washers and a rigid pressed board template.

**Finish:** Super TGIC thermoset polyester powder coat paint, 2.5 mil nominal thickness, applied over a titanated zirconium conversion coating; 2500 hour salt spray test endurance rating. Standard colors are Black, Dark Bronze, Light Gray, Platinum Silver, or White. Custom colors are available.

**CAUTION:** Fixtures must be grounded in accordance with national, state and/or local electrical codes. Failure to do so may result in serious personal injury.

### Listings and Ratings

|  |             |    |             |
|--|-------------|----|-------------|
| ETL <sup>1</sup> to UL Standards 1598 & 8750 | IP 46 Rated | CE | 25C Ambient |
| CO = Cut Off <sup>2</sup>                    |             |    |             |

<sup>1</sup>Suitable for wet locations.

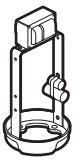

<sup>2</sup>Dark Sky Legislation Compliant

KIM LIGHTING RESERVES THE RIGHT TO CHANGE SPECIFICATIONS WITHOUT NOTICE.

Type:  
 Job:



## Standard and Optional Features

| <b>Fixture</b>   | Cat. No. <b>GEM1</b> Fixture with Aluminum Shaft  |  |  |  |     |     |  |  |  |  |  |                          |  |                      |  |  |                                   |                                    |                                   |                                    |  |                                   |                                    |                                   |                                    |  |                                   |                                    |                                   |                                    |  |                                   |                                    |                                   |                                    |  |                                   |                                    |                                   |                                    |      |             |             |              |              |        |             |             |             |             |                   |      |      |      |      |  |                     |     |  |  |  |  |  |  |  |      |                |     |     |     |        |         |     |     |     |
|--|---|--|--|--|-----|-----|--|--|--|--|--|--------------------------|--|----------------------|--|--|-----------------------------------|------------------------------------|-----------------------------------|------------------------------------|--|-----------------------------------|------------------------------------|-----------------------------------|------------------------------------|--|-----------------------------------|------------------------------------|-----------------------------------|------------------------------------|--|-----------------------------------|------------------------------------|-----------------------------------|------------------------------------|--|-----------------------------------|------------------------------------|-----------------------------------|------------------------------------|------|-------------|-------------|--------------|--------------|--------|-------------|-------------|-------------|-------------|-------------------|------|------|------|------|--|---------------------|-----|--|--|--|--|--|--|--|------|----------------|-----|-----|-----|--------|---------|-----|-----|-----|
| <b>Electrical Module</b><br><b>PMH</b> = Pulse Start Metal Halide<br><b>HPS</b> = High Pressure Sodium<br><b>PL</b> = Compact Fluorescent<br><b>LED</b> = Light Emitting Diode<br><br><table border="1" data-bbox="186 913 389 1008"> <tr> <td>Lamp Watts</td> <td>Lamp Type</td> <td>Line Volts</td> </tr> <tr> <td>70</td> <td>PMH</td> <td>277</td> </tr> </table> <p>For PMH, HPS and PL.<br/>         See footnote 2 below for LED</p>  <p><b>NOTE:</b> For lamp/ballast information outside of the U.S.A. and Canada, please consult your local Kim representative.</p> | Lamp Watts  | Lamp Type  | Line Volts   | 70   | PMH | 277 | Cat. Nos. for Electrical Modules available:<br><br><table border="1" data-bbox="500 703 1458 1333"> <thead> <tr> <th></th> <th colspan="2">Pulse Start Metal Halide</th> <th colspan="2">High Pressure Sodium</th> </tr> </thead> <tbody> <tr> <td></td> <td><input type="checkbox"/> 70PMH120</td> <td><input type="checkbox"/> 100PMH120</td> <td><input type="checkbox"/> 70HPS120</td> <td><input type="checkbox"/> 100HPS120</td> </tr> <tr> <td></td> <td><input type="checkbox"/> 70PMH208</td> <td><input type="checkbox"/> 100PMH208</td> <td><input type="checkbox"/> 70HPS208</td> <td><input type="checkbox"/> 100HPS208</td> </tr> <tr> <td></td> <td><input type="checkbox"/> 70PMH240</td> <td><input type="checkbox"/> 100PMH240</td> <td><input type="checkbox"/> 70HPS240</td> <td><input type="checkbox"/> 100HPS240</td> </tr> <tr> <td></td> <td><input type="checkbox"/> 70PMH277</td> <td><input type="checkbox"/> 100PMH277</td> <td><input type="checkbox"/> 70HPS277</td> <td><input type="checkbox"/> 100HPS277</td> </tr> <tr> <td></td> <td><input type="checkbox"/> 70PMH347</td> <td><input type="checkbox"/> 100PMH347</td> <td><input type="checkbox"/> 70HPS347</td> <td><input type="checkbox"/> 100HPS347</td> </tr> <tr> <td>Lamp</td> <td>E-17, Clear</td> <td>E-17, Clear</td> <td>ED-17, Clear</td> <td>ED-17, Clear</td> </tr> <tr> <td>Socket</td> <td>Medium Base</td> <td>Medium Base</td> <td>Medium Base</td> <td>Medium Base</td> </tr> <tr> <td>ANSI Ballast Type</td> <td>M-98</td> <td>M-90</td> <td>S-62</td> <td>S-54</td> </tr> <tr> <td></td> <td>Compact Fluorescent</td> <td>LED</td> <td></td> <td></td> </tr> <tr> <td></td> <td><input type="checkbox"/> 32PL<sup>1</sup></td> <td><input type="checkbox"/> 18L3KUV<sup>2</sup><br/><input type="checkbox"/> 18L5KUV<sup>2</sup><br/>IES Type 1</td> <td><input type="checkbox"/> 27L3KUV<sup>2</sup><br/><input type="checkbox"/> 27L5KUV<sup>2</sup><br/>IES Type 3</td> <td><input type="checkbox"/> 36L3KUV<sup>2</sup><br/><input type="checkbox"/> 36L5KUV<sup>2</sup><br/>IES Type 5</td> </tr> <tr> <td>Lamp</td> <td>Compact Fluor.</td> <td>LED</td> <td>LED</td> <td>LED</td> </tr> <tr> <td>Socket</td> <td>GX24q-3</td> <td>N/A</td> <td>N/A</td> <td>N/A</td> </tr> </tbody> </table> <p><sup>1</sup> 32PL operates one 26, or 32 watt lamp at 120 thru 277 volts (50-60 Hz).<br/> <sup>2</sup> For LED, 18L = 18 LED Emitters; 27L = 27 LED Emitters; 36L = 36 LED Emitters; 3K = 3500K color temperature; 5K = 5100K color temperature; UV = Universal Voltage from 120 to 277V with a ± 10% tolerance.</p> |  |  |  |  | Pulse Start Metal Halide |  | High Pressure Sodium |  |  | <input type="checkbox"/> 70PMH120 | <input type="checkbox"/> 100PMH120 | <input type="checkbox"/> 70HPS120 | <input type="checkbox"/> 100HPS120 |  | <input type="checkbox"/> 70PMH208 | <input type="checkbox"/> 100PMH208 | <input type="checkbox"/> 70HPS208 | <input type="checkbox"/> 100HPS208 |  | <input type="checkbox"/> 70PMH240 | <input type="checkbox"/> 100PMH240 | <input type="checkbox"/> 70HPS240 | <input type="checkbox"/> 100HPS240 |  | <input type="checkbox"/> 70PMH277 | <input type="checkbox"/> 100PMH277 | <input type="checkbox"/> 70HPS277 | <input type="checkbox"/> 100HPS277 |  | <input type="checkbox"/> 70PMH347 | <input type="checkbox"/> 100PMH347 | <input type="checkbox"/> 70HPS347 | <input type="checkbox"/> 100HPS347 | Lamp | E-17, Clear | E-17, Clear | ED-17, Clear | ED-17, Clear | Socket | Medium Base | Medium Base | Medium Base | Medium Base | ANSI Ballast Type | M-98 | M-90 | S-62 | S-54 |  | Compact Fluorescent | LED |  |  |  | <input type="checkbox"/> 32PL <sup>1</sup> | <input type="checkbox"/> 18L3KUV <sup>2</sup><br><input type="checkbox"/> 18L5KUV <sup>2</sup><br>IES Type 1 | <input type="checkbox"/> 27L3KUV <sup>2</sup><br><input type="checkbox"/> 27L5KUV <sup>2</sup><br>IES Type 3 | <input type="checkbox"/> 36L3KUV <sup>2</sup><br><input type="checkbox"/> 36L5KUV <sup>2</sup><br>IES Type 5 | Lamp | Compact Fluor. | LED | LED | LED | Socket | GX24q-3 | N/A | N/A | N/A |
| Lamp Watts   | Lamp Type   | Line Volts   |  |  |     |     |  |  |  |  |  |                          |  |                      |  |  |                                   |                                    |                                   |                                    |  |                                   |                                    |                                   |                                    |  |                                   |                                    |                                   |                                    |  |                                   |                                    |                                   |                                    |  |                                   |                                    |                                   |                                    |      |             |             |              |              |        |             |             |             |             |                   |      |      |      |      |  |                     |     |  |  |  |  |  |  |  |      |                |     |     |     |        |         |     |     |     |
| 70   | PMH   | 277  |  |  |     |     |  |  |  |  |  |                          |  |                      |  |  |                                   |                                    |                                   |                                    |  |                                   |                                    |                                   |                                    |  |                                   |                                    |                                   |                                    |  |                                   |                                    |                                   |                                    |  |                                   |                                    |                                   |                                    |      |             |             |              |              |        |             |             |             |             |                   |      |      |      |      |  |                     |     |  |  |  |  |  |  |  |      |                |     |     |     |        |         |     |     |     |
|  | Pulse Start Metal Halide  |  | High Pressure Sodium   |  |     |     |  |  |  |  |  |                          |  |                      |  |  |                                   |                                    |                                   |                                    |  |                                   |                                    |                                   |                                    |  |                                   |                                    |                                   |                                    |  |                                   |                                    |                                   |                                    |  |                                   |                                    |                                   |                                    |      |             |             |              |              |        |             |             |             |             |                   |      |      |      |      |  |                     |     |  |  |  |  |  |  |  |      |                |     |     |     |        |         |     |     |     |
|  | <input type="checkbox"/> 70PMH120   | <input type="checkbox"/> 100PMH120   | <input type="checkbox"/> 70HPS120  | <input type="checkbox"/> 100HPS120   |     |     |  |  |  |  |  |                          |  |                      |  |  |                                   |                                    |                                   |                                    |  |                                   |                                    |                                   |                                    |  |                                   |                                    |                                   |                                    |  |                                   |                                    |                                   |                                    |  |                                   |                                    |                                   |                                    |      |             |             |              |              |        |             |             |             |             |                   |      |      |      |      |  |                     |     |  |  |  |  |  |  |  |      |                |     |     |     |        |         |     |     |     |
|  | <input type="checkbox"/> 70PMH208   | <input type="checkbox"/> 100PMH208   | <input type="checkbox"/> 70HPS208  | <input type="checkbox"/> 100HPS208   |     |     |  |  |  |  |  |                          |  |                      |  |  |                                   |                                    |                                   |                                    |  |                                   |                                    |                                   |                                    |  |                                   |                                    |                                   |                                    |  |                                   |                                    |                                   |                                    |  |                                   |                                    |                                   |                                    |      |             |             |              |              |        |             |             |             |             |                   |      |      |      |      |  |                     |     |  |  |  |  |  |  |  |      |                |     |     |     |        |         |     |     |     |
|  | <input type="checkbox"/> 70PMH240   | <input type="checkbox"/> 100PMH240   | <input type="checkbox"/> 70HPS240  | <input type="checkbox"/> 100HPS240   |     |     |  |  |  |  |  |                          |  |                      |  |  |                                   |                                    |                                   |                                    |  |                                   |                                    |                                   |                                    |  |                                   |                                    |                                   |                                    |  |                                   |                                    |                                   |                                    |  |                                   |                                    |                                   |                                    |      |             |             |              |              |        |             |             |             |             |                   |      |      |      |      |  |                     |     |  |  |  |  |  |  |  |      |                |     |     |     |        |         |     |     |     |
|  | <input type="checkbox"/> 70PMH277   | <input type="checkbox"/> 100PMH277   | <input type="checkbox"/> 70HPS277  | <input type="checkbox"/> 100HPS277   |     |     |  |  |  |  |  |                          |  |                      |  |  |                                   |                                    |                                   |                                    |  |                                   |                                    |                                   |                                    |  |                                   |                                    |                                   |                                    |  |                                   |                                    |                                   |                                    |  |                                   |                                    |                                   |                                    |      |             |             |              |              |        |             |             |             |             |                   |      |      |      |      |  |                     |     |  |  |  |  |  |  |  |      |                |     |     |     |        |         |     |     |     |
|  | <input type="checkbox"/> 70PMH347   | <input type="checkbox"/> 100PMH347   | <input type="checkbox"/> 70HPS347  | <input type="checkbox"/> 100HPS347   |     |     |  |  |  |  |  |                          |  |                      |  |  |                                   |                                    |                                   |                                    |  |                                   |                                    |                                   |                                    |  |                                   |                                    |                                   |                                    |  |                                   |                                    |                                   |                                    |  |                                   |                                    |                                   |                                    |      |             |             |              |              |        |             |             |             |             |                   |      |      |      |      |  |                     |     |  |  |  |  |  |  |  |      |                |     |     |     |        |         |     |     |     |
| Lamp   | E-17, Clear   | E-17, Clear  | ED-17, Clear   | ED-17, Clear   |     |     |  |  |  |  |  |                          |  |                      |  |  |                                   |                                    |                                   |                                    |  |                                   |                                    |                                   |                                    |  |                                   |                                    |                                   |                                    |  |                                   |                                    |                                   |                                    |  |                                   |                                    |                                   |                                    |      |             |             |              |              |        |             |             |             |             |                   |      |      |      |      |  |                     |     |  |  |  |  |  |  |  |      |                |     |     |     |        |         |     |     |     |
| Socket   | Medium Base   | Medium Base  | Medium Base  | Medium Base  |     |     |  |  |  |  |  |                          |  |                      |  |  |                                   |                                    |                                   |                                    |  |                                   |                                    |                                   |                                    |  |                                   |                                    |                                   |                                    |  |                                   |                                    |                                   |                                    |  |                                   |                                    |                                   |                                    |      |             |             |              |              |        |             |             |             |             |                   |      |      |      |      |  |                     |     |  |  |  |  |  |  |  |      |                |     |     |     |        |         |     |     |     |
| ANSI Ballast Type  | M-98  | M-90   | S-62   | S-54   |     |     |  |  |  |  |  |                          |  |                      |  |  |                                   |                                    |                                   |                                    |  |                                   |                                    |                                   |                                    |  |                                   |                                    |                                   |                                    |  |                                   |                                    |                                   |                                    |  |                                   |                                    |                                   |                                    |      |             |             |              |              |        |             |             |             |             |                   |      |      |      |      |  |                     |     |  |  |  |  |  |  |  |      |                |     |     |     |        |         |     |     |     |
|  | Compact Fluorescent   | LED  |  |  |     |     |  |  |  |  |  |                          |  |                      |  |  |                                   |                                    |                                   |                                    |  |                                   |                                    |                                   |                                    |  |                                   |                                    |                                   |                                    |  |                                   |                                    |                                   |                                    |  |                                   |                                    |                                   |                                    |      |             |             |              |              |        |             |             |             |             |                   |      |      |      |      |  |                     |     |  |  |  |  |  |  |  |      |                |     |     |     |        |         |     |     |     |
|  | <input type="checkbox"/> 32PL <sup>1</sup>  | <input type="checkbox"/> 18L3KUV <sup>2</sup><br><input type="checkbox"/> 18L5KUV <sup>2</sup><br>IES Type 1 | <input type="checkbox"/> 27L3KUV <sup>2</sup><br><input type="checkbox"/> 27L5KUV <sup>2</sup><br>IES Type 3 | <input type="checkbox"/> 36L3KUV <sup>2</sup><br><input type="checkbox"/> 36L5KUV <sup>2</sup><br>IES Type 5 |     |     |  |  |  |  |  |                          |  |                      |  |  |                                   |                                    |                                   |                                    |  |                                   |                                    |                                   |                                    |  |                                   |                                    |                                   |                                    |  |                                   |                                    |                                   |                                    |  |                                   |                                    |                                   |                                    |      |             |             |              |              |        |             |             |             |             |                   |      |      |      |      |  |                     |     |  |  |  |  |  |  |  |      |                |     |     |     |        |         |     |     |     |
| Lamp   | Compact Fluor.  | LED  | LED  | LED  |     |     |  |  |  |  |  |                          |  |                      |  |  |                                   |                                    |                                   |                                    |  |                                   |                                    |                                   |                                    |  |                                   |                                    |                                   |                                    |  |                                   |                                    |                                   |                                    |  |                                   |                                    |                                   |                                    |      |             |             |              |              |        |             |             |             |             |                   |      |      |      |      |  |                     |     |  |  |  |  |  |  |  |      |                |     |     |     |        |         |     |     |     |
| Socket   | GX24q-3   | N/A  | N/A  | N/A  |     |     |  |  |  |  |  |                          |  |                      |  |  |                                   |                                    |                                   |                                    |  |                                   |                                    |                                   |                                    |  |                                   |                                    |                                   |                                    |  |                                   |                                    |                                   |                                    |  |                                   |                                    |                                   |                                    |      |             |             |              |              |        |             |             |             |             |                   |      |      |      |      |  |                     |     |  |  |  |  |  |  |  |      |                |     |     |     |        |         |     |     |     |
| <b>Finish</b><br>Super TGIC thermoset polyester powder coat paint over a titanated zirconium conversion coating on fixture and shaft.  | <b>Top Cap</b><br>Color: Black    Dark Bronze    Light Gray    Platinum Silver    White    Custom Color <sup>3</sup><br>Cat. No.: <input type="checkbox"/> BL <input type="checkbox"/> DB <input type="checkbox"/> LG <input type="checkbox"/> PS <input type="checkbox"/> WH <input type="checkbox"/> CC<br><br><sup>3</sup> Custom colors subject to additional charges, minimum quantities and extended lead times. Consult representative. Custom color description: _____<br><br><b>Aluminum Riser (Shaft)</b><br>Aluminum Riser shaft is finished to match fixture with super TGIC thermoset polyester powder coat paint over a titanated zirconium conversion coating. |  |  |  |     |     |  |  |  |  |  |                          |  |                      |  |  |                                   |                                    |                                   |                                    |  |                                   |                                    |                                   |                                    |  |                                   |                                    |                                   |                                    |  |                                   |                                    |                                   |                                    |  |                                   |                                    |                                   |                                    |      |             |             |              |              |        |             |             |             |             |                   |      |      |      |      |  |                     |     |  |  |  |  |  |  |  |      |                |     |     |     |        |         |     |     |     |
| <b>Houseside Shield</b><br>Cat. No. <input type="checkbox"/> HS<br><input type="checkbox"/> No Option  | 90° houseside shield.<br>.032" thick aluminum, painted to match fixture.   |  |  |  |     |     |  |  |  |  |  |                          |  |                      |  |  |                                   |                                    |                                   |                                    |  |                                   |                                    |                                   |                                    |  |                                   |                                    |                                   |                                    |  |                                   |                                    |                                   |                                    |  |                                   |                                    |                                   |                                    |      |             |             |              |              |        |             |             |             |             |                   |      |      |      |      |  |                     |     |  |  |  |  |  |  |  |      |                |     |     |     |        |         |     |     |     |

Type:

Job:

Page: 3 of 3

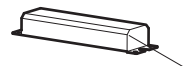


## Standard and Optional Features

### Emergency Battery Back-up

Cat. No.  **EM**  
 **No Option**  
 compact fluorescent only.

Internal battery pack provides 90 minutes of supplemental light at 23% of initial lamp lumens for 26, or 32 watt compact fluorescent lamps.



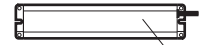
Battery Back-up

### Cold-Pack Emergency Battery Pack

Cat. No.  **EM-CP**  
 **No Option**

The EM-CP option is a temperature controlled ballast designed to maintain operation without interruption within a range of hi/low ambient temperatures, -20°C to +55°C.

Internal Cold-Pack emergency battery pack provides up to 90 minutes of supplemental light. See following table for max. lumens output by lamps.



cold-pack  
battery back-up

| <u>Lamp (4-Pin)</u> | <u>1 lamp lumens</u> |
|---------------------|----------------------|
| 32W                 | 575                  |
| 26W                 | 450                  |