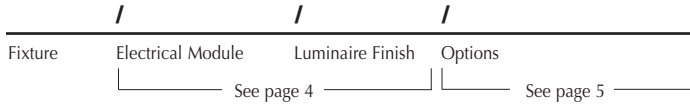


Type:
Job:
Catalog number:

Approvals:

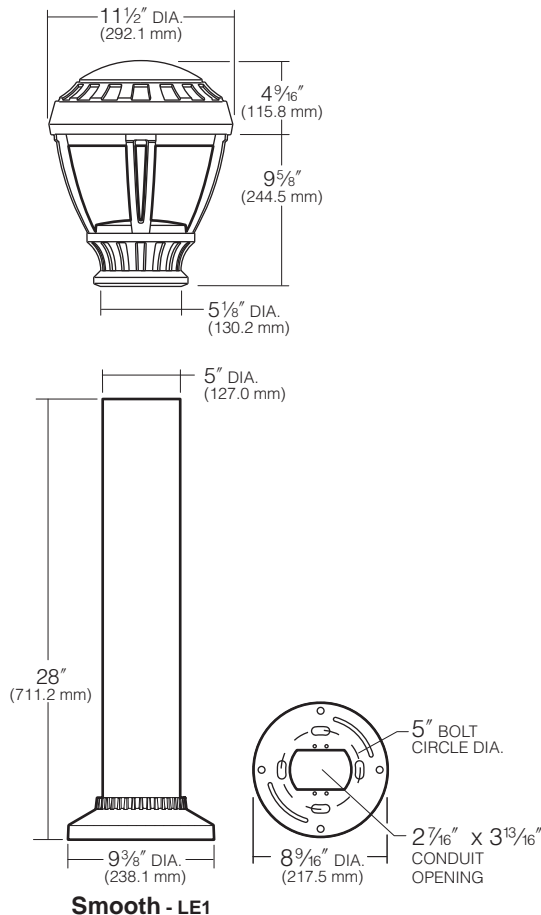


Date:
Page: 1 of 5

Specifications

LE1

70 to 100 watt PMH
70 to 100 watt HPS
42 watt CFL
18, 27 or 36 LED



HOOD AND LENS FRAME: Die-cast low copper (<0.6% Cu) aluminum alloy with stainless steel hinge. Hood is opened by loosening one stainless steel captive button-head socket cap screws. The 1/8" thick clear flat tempered glass lens seals against the lens frame by a one-piece extruded and vulcanized silicone gasket. The lens frame seals against the hood by a one-piece extruded and vulcanized silicone gasket.

ARM: Double curved die-cast, low copper aluminum alloy with internal wiring chamber supports the hood and lens frame.

HUB: Die-cast low copper aluminum alloy with a die-cast access cover. The hub is designed to support the arms.

REFLECTOR MODULE: Specular Alzak® optical segments are rigidly mounted within an aluminum frame and fastened securely to the hood. A porcelain medium base socket rated 4KV is provided for HID and a GX24q-4 universal socket is provided for fluorescent. No reflector provided for LED.

ANCHOR BASE PLATE: A heavy cast aluminum anchor base plate is provided for mounting to the four 3/8" x 10" + 2" zinc plated J-bolts, each with two nuts and washers. A rigid pressed board template is provided to secure the anchor bolts during concrete pour. (5" B.C.D.) rods sandwich shaft between base and head.

ELECTRICAL MODULE: Factory mounted to a rigid assembly attached to the anchor base. **HID:** High Power Factor with starting temperatures of -20°F for PMH and -40°F for HPS lamp modes. **Fluorescent:** High Power Factor with starting temperature of 0°F. **LED:** A total of 9 LED emitters configured in a rectangular array comprised together as a module. Two (2) modules for 18 LED version; three (3) modules for 27 LED version; and four (4) modules for 36 LED version. Available in 3500K and 5100K.

LED DRIVER: Rated for 18 LED, 27 LED or 36 LED. Universal voltage from 120 to 277V with a ±10% tolerance. -40°F starting temperature. All drivers are Underwriters Laboratories recognized.

NOTE: The 120V driver can be dimmed with an electronic low voltage forward phase dimmer.

RISER: Smooth – The riser assembly is a one-piece smooth aluminum extrusion (.188" minimum wall thickness) and a heavy cast aluminum base cover. Two internal 3/8" mounting rods sandwich riser between base and hub.

FINISH/COLOR: Super TGIC thermoset polyester powder coat paint, 2.5 mil nominal thickness, applied over a titanated zirconium conversion coating; 2500 hour salt spray test endurance rating. Standard colors are Black, Dark Bronze, Light Gray, Stealth Gray®, Platinum Silver, or White. Custom colors are available.

CAUTION: Fixtures must be grounded in accordance with national, state and/or local electrical codes. Failure to do so may result in serious personal injury.

Listings and Ratings

ETL ¹ to UL Standards 1598 & 8750	IP46 Rated	CE	25C Ambient
--	------------	----	-------------

¹Suitable for wet locations

KIM LIGHTING RESERVES THE RIGHT TO CHANGE SPECIFICATIONS WITHOUT NOTICE.

Type:

Job:

Page: 2 of 5

Specifications

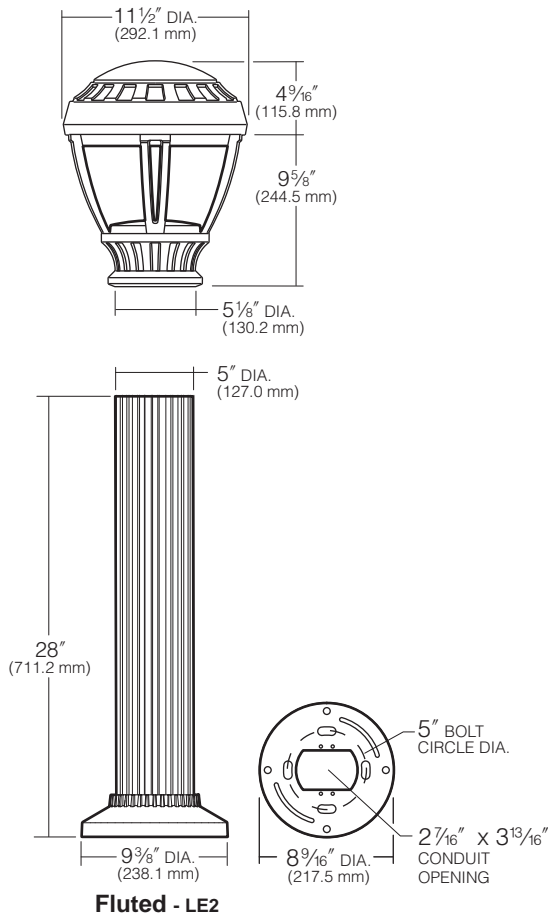
LE2

70 to 100 watt PMH

70 to 100 watt HPS

42 watt CFL

18, 27 or 36 LED



HOOD AND LENS FRAME: Die-cast low copper (<0.6% Cu) aluminum alloy with stainless steel hinge. Hood is opened by loosening one stainless steel captive button-head socket cap screws. The 1/8" thick clear flat tempered glass lens seals against the lens frame by a one-piece extruded and vulcanized silicone gasket. The lens frame seals against the hood by a one-piece extruded and vulcanized silicone gasket.

ARM: Double curved die-cast, low copper aluminum alloy with internal wiring chamber supports the hood and lens frame.

HUB: Die-cast low copper aluminum alloy with a die-cast access cover. The hub is designed to support the arms.

REFLECTOR MODULE: Specular Alzak® optical segments are rigidly mounted within an aluminum frame and fastened securely to the hood. A porcelain medium base socket rated 4KV is provided for HID and a GX24q-4 universal socket is provided for fluorescent. No reflector provided for LED.

ANCHOR BASE PLATE: A heavy cast aluminum anchor base plate is provided for mounting to the four 3/8" x 10" + 2" zinc plated J-bolts, each with two nuts and washers. A rigid pressed board template is provided to secure the anchor bolts during concrete pour. (5" B.C.D.) rods sandwich shaft between base and head.

ELECTRICAL MODULE: Factory mounted to a rigid assembly attached to the anchor base. **HID:** High Power Factor with starting temperatures of -20°F for PMH and -40°F for HPS lamp modes. **Fluorescent:** High Power Factor with starting temperature of 0°F. **LED:** A total of 9 LED emitters configured in a rectangular array comprised together as a module. Two (2) modules for 18 LED version; three (3) modules for 27 LED version; and four (4) modules for 36 LED version. Available in 3500K and 5100K.

LED DRIVER: Rated for 18 LED, 27 LED or 36 LED. Universal voltage from 120 to 277V with a ±10% tolerance. -40°F starting temperature. All drivers are Underwriters Laboratories recognized.

NOTE: The 120V driver can be dimmed with an electronic low voltage forward phase dimmer.

RISER: Fluted – The riser assembly is a one-piece fluted aluminum extrusion (.188" minimum wall thickness) and a heavy cast aluminum base cover. Two internal 3/8" mounting rods sandwich riser between base and hub.

FINISH/COLOR: Super TGIC thermoset polyester powder coat paint, 2.5 mil nominal thickness, applied over a titanated zirconium conversion coating; 2500 hour salt spray test endurance rating. Standard colors are Black, Dark Bronze, Light Gray, Stealth Gray®, Platinum Silver, or White. Custom colors are available.

CAUTION: Fixtures must be grounded in accordance with national, state and/or local electrical codes. Failure to do so may result in serious personal injury.

Listings and Ratings

UL cUL 1598 ¹	IP46 Rated	CE	25C Ambient
--------------------------	------------	----	-------------

¹Suitable for wet locations

KIM LIGHTING RESERVES THE RIGHT TO CHANGE SPECIFICATIONS WITHOUT NOTICE.

Type:

Job:

Page: 3 of 5

Specifications

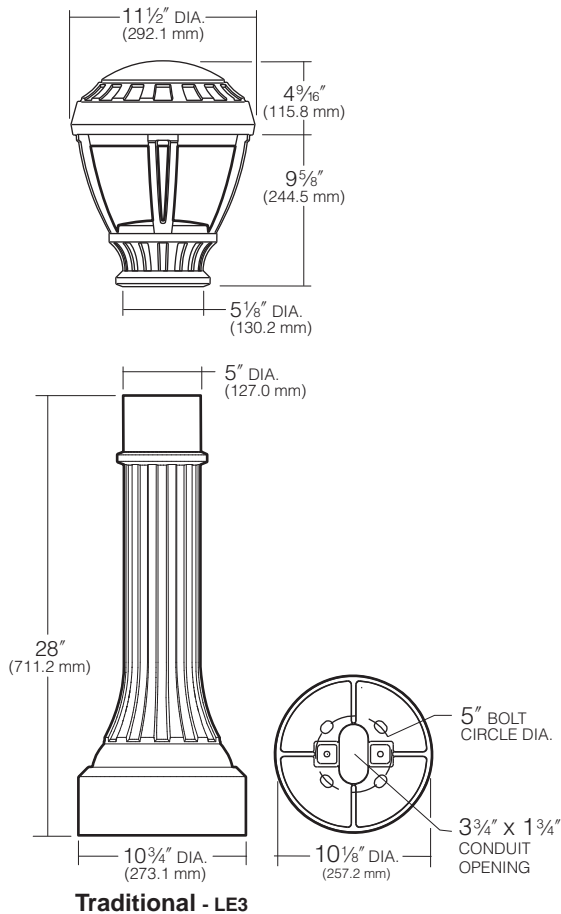
LE3

70 to 100 watt PMH

70 to 100 watt HPS

42 watt CFL

18, 27 or 36 LED



HOOD AND LENS FRAME: Die-cast low copper aluminum alloy (<0.6% Cu) with stainless steel hinge. Hood is opened by loosening one stainless steel captive button-head socket cap screws. The 1/8" thick clear flat tempered glass lens seals against the lens frame by a one-piece extruded and vulcanized silicone gasket. The lens frame seals against the hood by a one-piece extruded and vulcanized silicone gasket.

ARM: Double curved die-cast, low copper aluminum alloy with internal wiring chamber supports the hood and lens frame.

HUB: Die-cast low copper aluminum alloy with a die-cast access cover. The hub is designed to support the arms.

REFLECTOR MODULE: Specular Alzak® optical segments are rigidly mounted within an aluminum frame and fastened securely to the hood. A porcelain medium base socket rated 4KV is provided for HID and a GX24q-4 universal socket is provided for fluorescent. No reflector provided for LED.

ANCHOR BASE PLATE: A heavy cast aluminum anchor base plate is provided for mounting to the four 3/8" x 10" + 2" zinc plated J-bolts, each with two nuts and washers. A rigid pressed board template is provided to secure the anchor bolts during concrete pour. (5" B.C.D.) rods sandwich shaft between base and head.

ELECTRICAL MODULE: Factory mounted to a rigid assembly attached to the anchor base. **HID:** High Power Factor with starting temperatures of -20°F for PMH and -40°F for HPS lamp modes. **Fluorescent:** High Power Factor with starting temperature of 0°F. **LED:** A total of 9 LED emitters configured in a rectangular array comprised together as a module. Two (2) modules for 18 LED version; three (3) modules for 27 LED version; and four (4) modules for 36 LED version. Available in 3500K and 5100K.

LED DRIVER: Rated for 18 LED, 27 LED or 36 LED. Universal voltage from 120 to 277V with a ±10% tolerance. -40°F starting temperature. All drivers are Underwriters Laboratories recognized.

NOTE: The 120V driver can be dimmed with an electronic low voltage forward phase dimmer.

RISER: Traditional – The riser is a heavy cast aluminum base cover. Two internal 3/8" mounting rods sandwich riser between base and hub.

FINISH/COLOR: Super TGIC thermoset polyester powder coat paint, 2.5 mil nominal thickness, applied over a titanated zirconium conversion coating; 2500 hour salt spray test endurance rating. Standard colors are Black, Dark Bronze, Light Gray, Stealth Gray®, Platinum Silver, or White. Custom colors are available.

CAUTION: Fixtures must be grounded in accordance with national, state and/or local electrical codes. Failure to do so may result in serious personal injury.

Listings and Ratings

UL cUL 1598 ¹	IP46 Rated	CE	25C Ambient
--------------------------	------------	----	-------------

¹Suitable for wet locations

KIM LIGHTING RESERVES THE RIGHT TO CHANGE SPECIFICATIONS WITHOUT NOTICE.

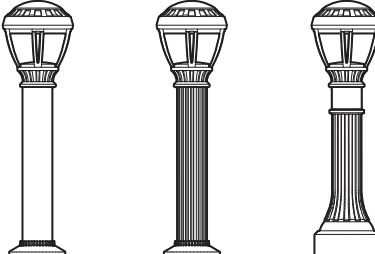
Type:

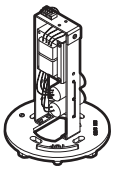
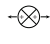
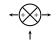
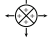
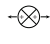
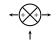
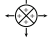
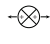
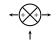
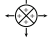
Job:

Page: 4 of 5



Standard Features

Fixture			
	Cat. No. <input type="checkbox"/> LE1	<input type="checkbox"/> LE2	<input type="checkbox"/> LE3

<p>Electrical Module</p> <p>PMH = Pulse Start Metal Halide HPS = High Pressure Sodium PL = Compact Fluorescent LED = Light Emitting Diode</p> <table border="1"> <tr> <td>Lamp</td> <td>ED-17, Coated</td> <td>ED-17, Coated</td> <td>ED-17, Coated</td> <td>ED-17, Coated</td> </tr> <tr> <td>Socket</td> <td>Medium Base</td> <td>Medium Base</td> <td>Medium Base</td> <td>Medium Base</td> </tr> <tr> <td>ANSI Ballast Type</td> <td>M-98, M-143</td> <td>M-90, M-140</td> <td>S62</td> <td>S54</td> </tr> </table> <p>Lamp Watts Lamp Type Line Volts 70 PMH 120</p> <p>For PMH, HPS and PL. See footnote 2 below for LED</p>  <p>NOTE: For lamp/ballast information outside of the U.S.A. and Canada, please consult your local Kim representative.</p>	Lamp	ED-17, Coated	ED-17, Coated	ED-17, Coated	ED-17, Coated	Socket	Medium Base	Medium Base	Medium Base	Medium Base	ANSI Ballast Type	M-98, M-143	M-90, M-140	S62	S54	<p>Cat. Nos. for Electrical Modules available:</p> <table border="1"> <tr> <td colspan="2">Pulse Start Metal Halide</td> <td colspan="2">High Pressure Sodium</td> </tr> <tr> <td><input type="checkbox"/> 70PMH120</td> <td><input type="checkbox"/> 100PMH120</td> <td><input type="checkbox"/> 70HPS120</td> <td><input type="checkbox"/> 100HPS120</td> </tr> <tr> <td><input type="checkbox"/> 70PMH208</td> <td><input type="checkbox"/> 100PMH208</td> <td><input type="checkbox"/> 70HPS208</td> <td><input type="checkbox"/> 100HPS208</td> </tr> <tr> <td><input type="checkbox"/> 70PMH240</td> <td><input type="checkbox"/> 100PMH240</td> <td><input type="checkbox"/> 70HPS240</td> <td><input type="checkbox"/> 100HPS240</td> </tr> <tr> <td><input type="checkbox"/> 70PMH277</td> <td><input type="checkbox"/> 100PMH277</td> <td><input type="checkbox"/> 70HPS277</td> <td><input type="checkbox"/> 100HPS277</td> </tr> <tr> <td><input type="checkbox"/> 70PMH347</td> <td><input type="checkbox"/> 100PMH347</td> <td><input type="checkbox"/> 70HPS347</td> <td><input type="checkbox"/> 100HPS347</td> </tr> <tr> <td colspan="2">Compact Fluor.</td> <td colspan="2">LED</td> </tr> <tr> <td><input type="checkbox"/> 42PL120¹</td> <td><input type="checkbox"/> 18L3KUV²</td> <td><input type="checkbox"/> 27L3KUV²</td> <td><input type="checkbox"/> 36L3KUV²</td> </tr> <tr> <td><input type="checkbox"/> 42PL208¹</td> <td><input type="checkbox"/> 18L5KUV²</td> <td><input type="checkbox"/> 27L5KUV²</td> <td><input type="checkbox"/> 36L5KUV²</td> </tr> <tr> <td><input type="checkbox"/> 42PL240¹</td> <td style="text-align: center;"></td> <td style="text-align: center;"></td> <td style="text-align: center;"></td> </tr> <tr> <td><input type="checkbox"/> 42PL277¹</td> <td style="text-align: center;">IES Type 1</td> <td style="text-align: center;">IES Type 3</td> <td style="text-align: center;">IES Type 5</td> </tr> <tr> <td>Lamp</td> <td>Compact Fluor.</td> <td>LED</td> <td>LED</td> <td>LED</td> </tr> <tr> <td>Socket</td> <td>GX24q-4</td> <td>N/A</td> <td>N/A</td> <td>N/A</td> </tr> </table> <p>¹ 42PL operates one 26, 32, or 42 watt lamp at 120 thru 277 volts (50-60 Hz). NOTE: Coated lamps are recommended.</p> <p>² For LED, 18L = 18 LED Emitters; 27L = 27 LED Emitters; 36L = 36 LED Emitters; 3K = 3500K color temperature; 5K = 5100K color temperature; UV = Universal Voltage from 120 to 277V with a ± 10% tolerance.</p>				Pulse Start Metal Halide		High Pressure Sodium		<input type="checkbox"/> 70PMH120	<input type="checkbox"/> 100PMH120	<input type="checkbox"/> 70HPS120	<input type="checkbox"/> 100HPS120	<input type="checkbox"/> 70PMH208	<input type="checkbox"/> 100PMH208	<input type="checkbox"/> 70HPS208	<input type="checkbox"/> 100HPS208	<input type="checkbox"/> 70PMH240	<input type="checkbox"/> 100PMH240	<input type="checkbox"/> 70HPS240	<input type="checkbox"/> 100HPS240	<input type="checkbox"/> 70PMH277	<input type="checkbox"/> 100PMH277	<input type="checkbox"/> 70HPS277	<input type="checkbox"/> 100HPS277	<input type="checkbox"/> 70PMH347	<input type="checkbox"/> 100PMH347	<input type="checkbox"/> 70HPS347	<input type="checkbox"/> 100HPS347	Compact Fluor.		LED		<input type="checkbox"/> 42PL120¹	<input type="checkbox"/> 18L3KUV²	<input type="checkbox"/> 27L3KUV²	<input type="checkbox"/> 36L3KUV²	<input type="checkbox"/> 42PL208¹	<input type="checkbox"/> 18L5KUV²	<input type="checkbox"/> 27L5KUV²	<input type="checkbox"/> 36L5KUV²	<input type="checkbox"/> 42PL240¹				<input type="checkbox"/> 42PL277¹	IES Type 1	IES Type 3	IES Type 5	Lamp	Compact Fluor.	LED	LED	LED	Socket	GX24q-4	N/A	N/A	N/A
Lamp	ED-17, Coated	ED-17, Coated	ED-17, Coated	ED-17, Coated																																																																					
Socket	Medium Base	Medium Base	Medium Base	Medium Base																																																																					
ANSI Ballast Type	M-98, M-143	M-90, M-140	S62	S54																																																																					
Pulse Start Metal Halide		High Pressure Sodium																																																																							
<input type="checkbox"/> 70PMH120	<input type="checkbox"/> 100PMH120	<input type="checkbox"/> 70HPS120	<input type="checkbox"/> 100HPS120																																																																						
<input type="checkbox"/> 70PMH208	<input type="checkbox"/> 100PMH208	<input type="checkbox"/> 70HPS208	<input type="checkbox"/> 100HPS208																																																																						
<input type="checkbox"/> 70PMH240	<input type="checkbox"/> 100PMH240	<input type="checkbox"/> 70HPS240	<input type="checkbox"/> 100HPS240																																																																						
<input type="checkbox"/> 70PMH277	<input type="checkbox"/> 100PMH277	<input type="checkbox"/> 70HPS277	<input type="checkbox"/> 100HPS277																																																																						
<input type="checkbox"/> 70PMH347	<input type="checkbox"/> 100PMH347	<input type="checkbox"/> 70HPS347	<input type="checkbox"/> 100HPS347																																																																						
Compact Fluor.		LED																																																																							
<input type="checkbox"/> 42PL120¹	<input type="checkbox"/> 18L3KUV²	<input type="checkbox"/> 27L3KUV²	<input type="checkbox"/> 36L3KUV²																																																																						
<input type="checkbox"/> 42PL208¹	<input type="checkbox"/> 18L5KUV²	<input type="checkbox"/> 27L5KUV²	<input type="checkbox"/> 36L5KUV²																																																																						
<input type="checkbox"/> 42PL240¹																																																																									
<input type="checkbox"/> 42PL277¹	IES Type 1	IES Type 3	IES Type 5																																																																						
Lamp	Compact Fluor.	LED	LED	LED																																																																					
Socket	GX24q-4	N/A	N/A	N/A																																																																					

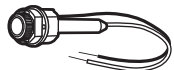

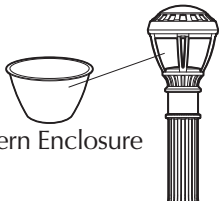

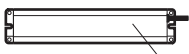
<p>Luminaire Finish</p> <p>Super TGIC powder coat paint over a titanated zirconium conversion coating on fixture and shaft.</p>	<p>Color: Black Dark Bronze Light Gray Stealth Gray™ Platinum Silver White Custom Color³</p> <p>Cat. No.: <input type="checkbox"/> BL <input type="checkbox"/> DB <input type="checkbox"/> LG <input type="checkbox"/> SG <input type="checkbox"/> PS <input type="checkbox"/> WH <input type="checkbox"/> CC</p> <p>³Custom colors subject to additional charges, minimum quantities and extended lead times. Consult representative. Custom color description: _____</p>
--	--

Type:

Job:



Optional Features

<p>Fusing (internal only): Cat. No. (see chart at right) <input type="checkbox"/> No Option</p>	<p>High temperature fuse holders factory installed inside the fixture housing. Fuse is included.</p> <p>Line Volts: 120V 208V 240V 277V 347V Cat. No.: <input type="checkbox"/> SF <input type="checkbox"/> DF <input type="checkbox"/> DF <input type="checkbox"/> SF <input type="checkbox"/> SF</p>	 Single Fuse								
<p>Houseside Shield Cat. No. <input type="checkbox"/> HS <input type="checkbox"/> No Option</p>	<p>Optional shield made of stamped louvered aluminum allows streetside light to pass while blocking houseside light. Blackened reflector panels within the reflector also reduces the houseside reflection.</p>	 Houseside Shield								
<p>Lantern Enclosures Cat. No. <input type="checkbox"/> LS <input type="checkbox"/> A <input type="checkbox"/> No Option</p>	<p>Lexan (LS) molded high transmission luminous white enclosure replaces standard glass lens.</p> <p>Acrylic (A) molded high transmission luminous white acrylic enclosure replaces standard glass lens.</p>	 Lantern Enclosure								
<p>Emergency Battery Back-up Cat. No. <input type="checkbox"/> EM <input type="checkbox"/> No Option</p>	<p>Internal battery pack provides 90 minutes of supplemental light at 23% of initial lamp lumens for 26, 32, or 42 watt compact fluorescent lamps.</p>	 Battery Back-up								
<p>Cold-Pack Emergency Battery Pack Cat. No. <input type="checkbox"/> EM-CP <input type="checkbox"/> No Option</p>	<p>The EM-CP option is a temperature controlled ballast designed to maintain operation without interruption within a range of hi/low ambient temperatures, -20°C to +55°C.</p> <p>Internal Cold-Pack emergency battery pack provides up to 90 minutes of supplemental light. See following table for max. lumens output by lamps.</p> <table border="1" data-bbox="500 1604 919 1738"> <thead> <tr> <th>Lamp (4-Pin)</th> <th>1 lamp lumens</th> </tr> </thead> <tbody> <tr> <td>42W</td> <td>750</td> </tr> <tr> <td>32W</td> <td>575</td> </tr> <tr> <td>26W</td> <td>450</td> </tr> </tbody> </table>	Lamp (4-Pin)	1 lamp lumens	42W	750	32W	575	26W	450	 cold-pack battery back-up
Lamp (4-Pin)	1 lamp lumens									
42W	750									
32W	575									
26W	450									