

Type:
Job:
Catalog number:

Approvals:

/	/	/
Fixture	Electrical Module	Luminaire Finish
Option		

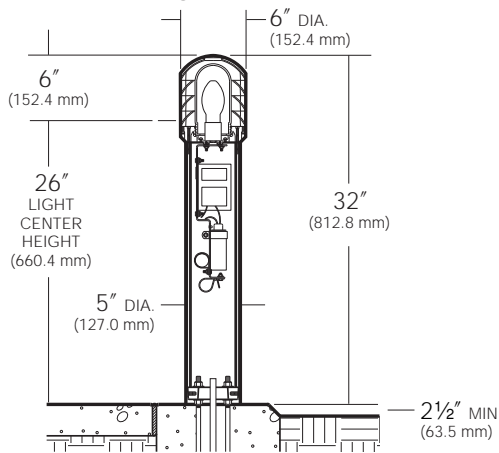
See page 2

Date:
Page: 1 of 3

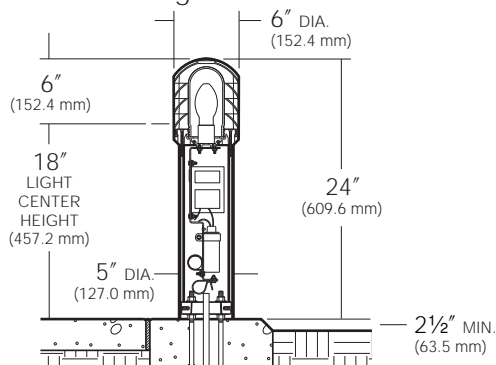
Specifications

CB Models
50 to 70 watt
Medium Base Lamps
42 watt Compact Fluorescent

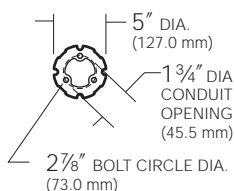
CB32
Maximum weight: 20 lb



CB24
Maximum weight: 17 lb



BASE PLAN CB



Top, Louvers: Interlocking die-cast, low-copper (<0.6% Cu) aluminum sections fasten together with concealed stainless steel screws. Louver base assembly fastens internally to riser with 4 concealed screws.

Riser: Extruded aluminum, 5" diameter, .125" typical wall thickness, external vertical grooves align with vertical members on louver assembly. Attaches to anchor base with 4 countersunk stainless steel flat socket head screws finished to match fixture.

Anchor Base: Heavy cast aluminum, fully concealed within riser shaft. Three 3/8" x 10" + 2" zinc plated anchor bolts, each with two nuts and washers, and a rigid pressboard template.

Globe: Internally fluted, clear tempered glass, fully gasketed.

Socket: Porcelain medium base rated 4KV for HID and incandescent. Fluorescent is 13W-GX23; 42W-GX24q - Universal Socket.

Ballast: Factory mounted to rigid harness suspended from fixture head within the Riser. Wire leads supplied to base. **HID:** High power factor with starting temperatures of -20°F. for PMH and -40°F. for HPS lamp modes. **13W Fluorescent:** 120V 32°F. starting; 277V 0°F. starting. **26W, 32W, 42W Fluorescent:** 120V through 277V High power factor with starting temperature of 0°F.

Finish: Super TGIC thermoset polyester powder coat paint, 2.5 mil nominal thickness, applied over a titanated zirconium conversion coating; 2500 hour salt spray test endurance rating. Standard colors are Black, Dark Bronze, Light Gray, Stealth Gray™, Platinum Silver, or White. Custom colors are available.

CAUTION: Fixtures must be grounded in accordance with national, state and/or local codes. Failure to do so may result in serious personal injury.

Listings and Ratings

UL cUL 1598 ¹	CE	25C Ambient
IP46 Rated	FS = Fully Shielded ²	

¹Suitable for wet locations.

²Dark Sky Legislation Compliant

KIM LIGHTING RESERVES THE RIGHT TO CHANGE SPECIFICATIONS WITHOUT NOTICE

Type:

Job:

Page: 2 of 3



Standard and Optional Features

Fixture

Cat. No. designates **CB** fixture.

Cat. No. **CB24** Compact Bollard 24" overall height
 CB32 Compact Bollard 32" overall height

Electrical Module

PMH = Pulse Start Metal Halide
HPS = High Pressure Sodium
PL = Compact Fluorescent
INC = Incandescent
L = Light Emitting Diodes

Lamp Watts	Lamp Type	Line Volts
50	PMH	277



NOTE: For lamp/ballast information outside of the U.S.A. and Canada, please consult your local Kim representative.

Cat. Nos. for HID, Fluorescent and Incandescent Electrical Modules available:

	<input type="checkbox"/> 50PMH120	<input type="checkbox"/> 70PMH120	<input type="checkbox"/> 50HPS120	<input type="checkbox"/> 70HPS120
	<input type="checkbox"/> 50PMH208	<input type="checkbox"/> 70PMH208	<input type="checkbox"/> 50HPS208	<input type="checkbox"/> 70HPS208
	<input type="checkbox"/> 50PMH240	<input type="checkbox"/> 70PMH240	<input type="checkbox"/> 50HPS240	<input type="checkbox"/> 70HPS240
	<input type="checkbox"/> 50PMH277	<input type="checkbox"/> 70PMH277	<input type="checkbox"/> 50HPS277	<input type="checkbox"/> 70HPS277
		<input type="checkbox"/> 70PMH347		<input type="checkbox"/> 70HPS347
Lamp	ED17, Coated	ED17, Coated	ED17, Coated	ED17, Coated
Socket	Medium Base	Medium Base	Medium Base	Medium Base
ANSI Ballast Type	M-98	M-98	S-68	S-62
	<input type="checkbox"/> 13PL120	<input type="checkbox"/> 42PL¹	<input type="checkbox"/> 100INC120	
	<input type="checkbox"/> 13PL277			
Lamp	Double Twin Tube Fluorescent	Compact Fluor.	A21 Inside Frost	
Socket	GX23-2	GX24q-4	Medium Base	

¹**42PL** operates one 26, 32, or 42 watt lamp at 120 thru 277 volts (50-60 Hz).

NOTE: 70W PMH and HPS are not recommended for **CB24** due to extreme light levels at fixture base.

Cat. Nos. for LED Electrical Modules available:

x	LxK	x
Source:	Color Temperature:	Voltage:
<input type="checkbox"/> 18 = 18W LED (IES Type I)	<input type="checkbox"/> L3K = 3500K	<input type="checkbox"/> 120 = 120V
<input type="checkbox"/> 27 = 27W LED (IES Type III)	<input type="checkbox"/> L5K = 5100K	<input type="checkbox"/> 208 = 208V
<input type="checkbox"/> 36 = 36W LED (IES Type IV)		<input type="checkbox"/> 240 = 240V
		<input type="checkbox"/> 277 = 277V

Finish

Super TGIC thermoset polyester powder coat paint applied over a titanated zirconium conversion coating on fixture and shaft.

Color: Black Dark Bronze Light Gray Stealth Gray™ Platinum Silver White Custom Color²
 Cat. No.: **BL** **DB** **LG** **SG** **PS** **WH** **CC**

NOTE: Black and Dark Bronze colors will produce slightly less louver brightness than Light Gray or White.

²Custom colors subject to additional charges, minimum quantities and extended lead times. Consult representative. Custom color description: _____

Type:

Job:

Page: 3 of 3



Standard and Optional Features

Optional Houseside Shield

Cat. No. **HS**
 No Option

180° Trimmable houseside shield that inserts inside lamp enclosure. .032" thick natural aluminum, trimmable in field.



Emergency Battery Back-up

Cat. No. **EM**
 No Option

Internal battery pack provides 90 minutes of supplemental light at 23% of initial lamp lumens for 26, 32, or 42 watt compact fluorescent lamps.

NOTE: For CB32 only.



battery back-up

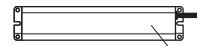
Cold-Pack Emergency Battery Pack

Cat. No. **EM-CP**
 No Option

The EM-CP option is a temperature controlled ballast designed to maintain operation without interruption within a range of hi/low ambient temperatures, -20°C to +55°C.

Internal Cold-Pack emergency battery pack provides up to 90 minutes of supplemental light. See following table for max. lumens output by lamps.

NOTE: For CB32 only.



cold-pack —
 battery back-up

<u>Lamp (4-Pin)</u>	<u>1 lamp lumens</u>
42W	750
32W	575
26W	450