

**Type:**  
**Job:**  
**Fixture Catalog number:**

---

**C24**  
 Fixture and Finish

**Mounting Options:**

---

Ordered Separately from Fixture  
 See pages 2-4

**Approvals:**

---

**Date:**  
**Page: 1 of 4**

## Specifications

**Housing and Shield:** Spun copper with cast bronze clamping rings and swivel base.

**Swivel:** Cast bronze with set screw lock and 1/2" NPT plus solid brass locknut for mounting.

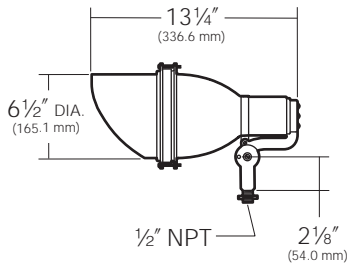
**Lens:** Convex clear tempered glass with silicone gasket.

**Socket:** Porcelain medium base.

**Wiring:** No. 18AWM rated 105°.

**Finish:** Natural copper and bronze. Will rapidly age to a deep rich bronze color, and may develop areas of patina.

**Certification:** UL Listed to U.S. and Canadian safety standards for wet locations.



## ORDERING INFORMATION

Fixture	Finish
<b>C24</b>	Natural copper and bronze
<b>Wattage / Lamp</b>	
<b>150W</b>	
PAR38	
Incandescent / Halogen	
<b>150W</b>	
R40	
Incandescent	



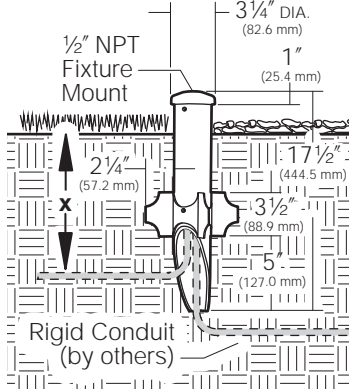
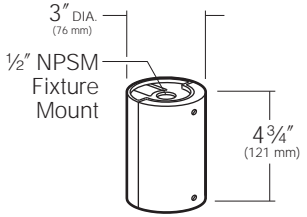
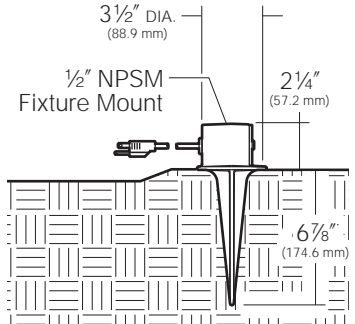
KIM LIGHTING RESERVES THE RIGHT TO CHANGE SPECIFICATIONS WITHOUT NOTICE.

Type:  
Job:



## Mounting Options

### Ordered Separately from Fixture

<p><b>Landscape Light Post by Engineered Products Co.</b></p> <p>Cat. No.  <input type="checkbox"/> EP17  <input type="checkbox"/> No Option</p>	<p>PVC fixture molded in black with 1/2" NPT mount is corrosion free and UV resistant. Replaces EMT, conduit connectors and weatherproof boxes. 100% shatter resistant against denting and cracking. Angled bottom to eliminate cable congestion.</p> <p>17 1/2" post length</p> <p><b>NOTE:</b> EP17 should be used with a UL listed fixture and grounding means (i.e., third wire) suitable for use in wet locations.</p> <p>"x" = required depth of conduit per local codes.</p>	
<p><b>Architectural Junction Box</b></p> <p>Cat. No.      Finish</p> <p><input type="checkbox"/> JB1/BL      Black</p> <p><input type="checkbox"/> JB1/DB      Dark Bronze</p> <p><input type="checkbox"/> JB1/GR      Verde Green</p> <p><input type="checkbox"/> No Option</p>	<p>Die-cast aluminum with 1/2" NPSM fixture mount. Internal set screw provided for locking position. Two 1/2" NPSM in bottom, 17 cu in. internal volume. Super TGIC powder coat paint over clear anodizing and titanated zirconium conversion coating.</p> <p><b>NOTE:</b> May also be used to hard mount low voltage fixtures.</p> <p><b>Application Notes</b></p> <ul style="list-style-type: none"> <li>• Elevates Accent Lights above ground cover to prevent foliage from blocking the light.</li> <li>• Elevates Path Lights above ground cover to achieve a greater light throw.</li> </ul> <p><b>CAUTION:</b> Junction box must be installed high enough to avoid contact with soil or standing water.</p>	
<p><b>Portable Spear Mount</b></p> <p>Cat. No.  <input type="checkbox"/> J-25N  <input type="checkbox"/> No Option</p>	<p>Cast iron with 1/2" NPSM fixture mount. Hot dip galvanized finish. 5.5 cu in. splice compartment. (SJTW-A) 3 wire cord and plug.</p> <p>9' cord length</p>	

Type:  
 Job:



## Mounting Options

### Ordered Separately from Fixture

#### Brass In-grade Architectural Junction Box

- Cat. No.  
 JBR-2  
 JBR-3  
 JBR-21  
 JBR-24  
 No Option

Die-cast brass with 1/2" NPSM fixture mount and die-cast cover. Internal set screw provided for locking position. 18 cu in. internal volume.

- JBR-2** (2) 1/2" NPT in bottom  
**JBR-3** (2) 3/4" NPT in bottom  
**JBR-21** (2) 1/2" NPT in sides, (2) 1/2" NPT in bottom  
**JBR-24** (4) 1/2" NPT in sides, (2) 1/2" NPT in bottom

All side taps provided with plugs.

**NOTE:** May also be used to hard mount low voltage fixtures.

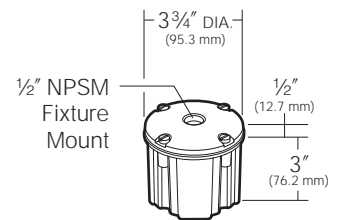
#### 25 Year Limited Warranty:

Solid brass junction boxes are warranted for 25 years, from date of sale, against manufacturing defects and failure due to corrosion.

#### Application Notes

- Creates a flush-mounted appearance.
- May be cast in concrete for increased stability.

**CAUTION:** Fixture stem and swivel must not contact soil or standing water. Provide drainage away from junction box.



#### Brass In-grade Staked Junction Box

- Cat. No.  
 JBR30  
 No Option

#### JBR30 BRASS IN-GRADE STAKED JUNCTION BOX

Die-cast brass with 1/2" NPSM fixture mount and die-cast cover. Internal set screw provided for locking position. 18 cu in. internal volume.

(2) 1/2" NPT in bottom with (2) 19" long brass stakes

**NOTE:** May also be used to hard mount low voltage fixtures.

#### Brass In-grade Staked Junction Box with Cord

- Cat. No.  
 JBR32  
 No Option

#### JBR32 BRASS IN-GRADE STAKED JUNCTION BOX WITH CORD

Die-cast brass with 1/2" NPSM fixture mount and die-cast cover. Internal set screw provided for locking position. 18 cu in. internal volume. (SJTW-A) 3 wire cord and plug.

(2) 19" long brass stakes with 9' cord

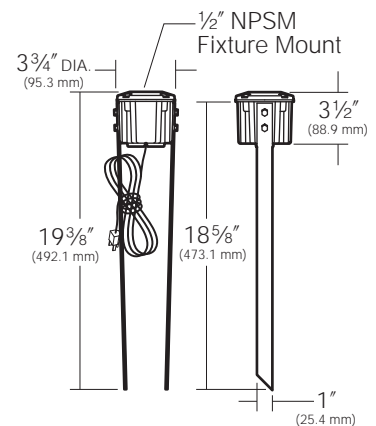
#### 25 Year Limited Warranty:

Solid brass junction boxes are warranted for 25 years, from date of sale, against manufacturing defects and failure due to corrosion.

#### Application Notes

- Creates a flush-mounted appearance.
- May be cast in concrete for increased stability.

**CAUTION:** Fixture stem and swivel must not contact soil or standing water. Provide drainage away from junction box.



Type:

Job:

Page: 4 of 4



## Mounting Options

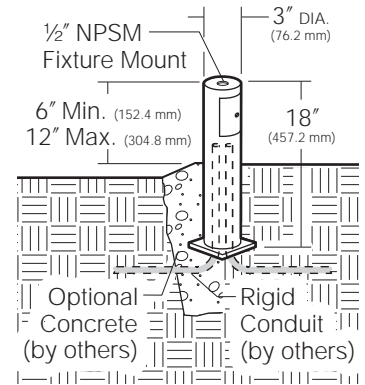
Ordered Separately from Fixture

### Stanchion Mount

- Cat. No.      Finish
- SM18/BL**      Black
  - SM18/DB**      Dark Bronze
  - SM18/GR**      Verde Green
  - No Option**

3" O.D. by .188" wall cast aluminum with 1/2" NPSM fixture mount and hand hole with flush cover. Internal set screw fixture lock accessible through hand hole. Internal ground lug supplied with installed lead. Super TGIC powder coat paint over clear anodizing and titanated zirconium conversion coating.

**NOTE:** May also be used to hard mount low voltage fixtures.

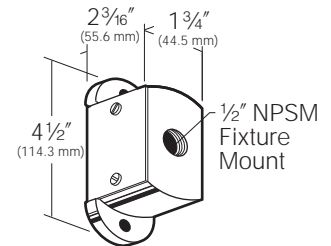


### Surface Mount

- Cat. No.      Finish
- J-27N/BL**      Black
  - J-27N/DB**      Dark Bronze
  - J-27N/GR**      Verde Green
  - No Option**

Cast aluminum with 1/2" NPSM fixture mount. Internal set screw provided for locking position. 5 cu in. internal volume. Super TGIC powder coat paint over clear anodizing and titanated zirconium conversion coating.

**NOTE:** May also be used to hard mount low voltage fixtures.



### Brass Architectural Wall Mount

- Cat. No.      Finish
- JWBR/NB**      Natural Brass
  - JWBR/VG**      Verde Green Patina
  - No Option**

Die-cast brass with 1/2" NPSM fixture mount. Internal set screw provided for locking position. Canopy attaches to stainless steel wall plate for mounting to any standard electrical outlet box.

**NOTE:** May also be used to hard mount low voltage fixtures.

