

Type:
Job:
Catalog number:

Approvals:

/ / / /
 Mtg. Fixture Electrical Module Finish Options

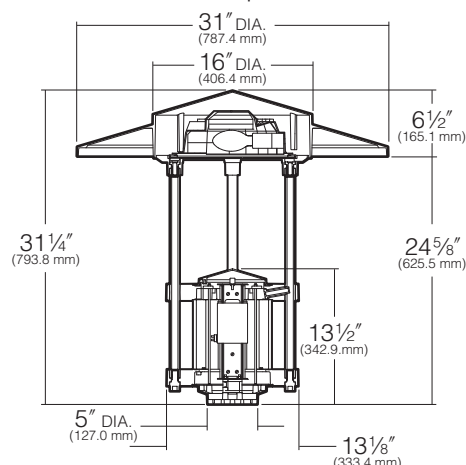
 See page 2 See page 3 See pages 4 - 5

Date:
Page: 1 of 5

Specifications

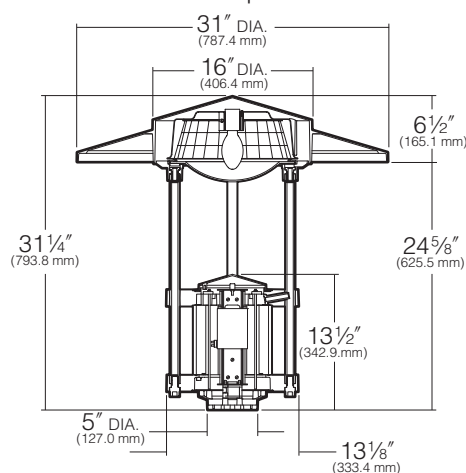
Horizontal Lamp

70 to 150 watt
Medium Base Lamps



Vertical Lamp

70 to 200 watt
Medium Base Lamps



Hood and Lens Frame: Die-cast, low copper (<0.6% Cu) aluminum alloy hood and lens frame with stainless steel hinge. The hood is opened with a tool-less latch made of die-cast aluminum and stainless steel brackets. The hood is held open for relamping with a stainless steel wire self-locking stop arm. The $\frac{3}{16}$ " thick clear flat or convex tempered glass lens seals against the reflector flange by a one-piece molded silicone gasket, to produce a fully sealed optical chamber. The underside of the hood is always painted white.

Reflector Module: Specular Alzak® optical segments are rigidly mounted within an aluminum enclosure (die-cast for horizontal, spun for vertical) which attach to the hood as a one-piece module with four captive screws. The 4KV, medium base socket is factory prewired with a high temperature quick-disconnect plug. The wires pass through a silicone gasket to maintain sealed optical chamber integrity.

Ballast Chamber: Die-cast, low copper (<0.6% Cu) aluminum alloy flanges compress a ribbed extruded aluminum chamber. The die-cast aluminum cover is held with two captive stainless steel screws and a retaining wire is provided to secure the cover during installation or servicing. The four heavy wall extruded support rods are mechanically fastened to the lens frame with stainless steel fasteners. The support rods are held in position through die-cast arms and mechanically fastened at the bottom with a custom aluminum bolt. The electrical wiring is channeled through a support rod with an aluminum bushing. The die-cast cover is always painted reflective white. (Optional Black Ballast Cover).

Mounted by one of the following pole attachment means:

FM - Flush Mounting by means of an expansion device activated by a single bolt within the ballast compartment. Pole must have a plain-cut top. Standard pole size is 4" O.D. (Other pole adapter sizes available; contact Kim representative).

PT - Pole Tenon mounting by means of a cast aluminum adapter containing four recessed $\frac{3}{8}$ " stainless steel allen head set screws. Pole must have a 2" pipe-size tenon ($2\frac{3}{8}$ " O.D. x $4\frac{1}{2}$ " minimum length). Pole tenon must be field drilled at one set screw location to secure against fixture rotation.

Electrical Module: All electrical components are UL and CSA recognized mounted on a single bracket and factory prewired to a main power disconnect plug. The power quick-disconnect plugs are glass-filled thermoplastic, self aligning, and rated for 10,000 matings. The male portion of the plug is mounted to the ballast bracket and the female portion is mounted to the bottom die-cast flange section. Wires are supplied to reach the pole hand hole. Power to the ballast disconnects when the bracket is pulled out. All ballasts are high power factor with starting temperatures of -40°F for HPS and -20°F for PMH lamp modes.

Finish: Super TGIC thermoset polyester powder coat paint, 2.5 mil nominal thickness, applied over a titanated zirconium conversion coating; 2500 hour salt spray test endurance rating. Standard colors are Black, Dark Bronze, Light Gray, Stealth Gray™, Platinum Silver, or White. Custom colors are available.

CAUTION: Fixtures must be grounded in accordance with national, state, and/or local codes. Failure to do so may result in serious personal injury.

Listings and Ratings

UL cUL 1598 ¹	IP66 Rated	25C Ambient
--------------------------	------------	-------------

¹Suitable for wet locations.

KIM LIGHTING RESERVES THE RIGHT TO CHANGE SPECIFICATIONS WITHOUT NOTICE.

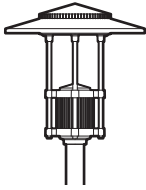


U.S. Patent D473,333S



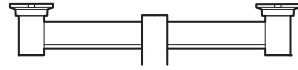
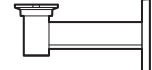
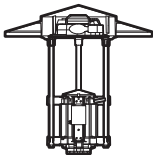





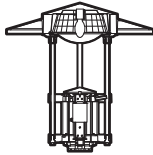


Type:

Job:

Page: 2 of 5



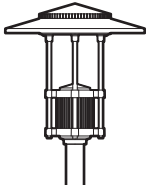
Standard Features

Mounting	Plan View					
	EPA:	1.2	1.2			
	Cat. No:	<input type="checkbox"/> FM Flush Mount	<input type="checkbox"/> PT Pole Tenon Mount			
	Pole Top Requirements:	4" O.D. Poles only	2" Pipe-size Tenon (2 ³ / ₈ " O.D. x 4 ¹ / ₂ " min. length)			
						
	EPA:	3.6	n/a			
Cat. No:	<input type="checkbox"/> 2SB Twin Mount	<input type="checkbox"/> 1W Wall Mount				
Pole Top Requirements:	4" or 5" O.D. Poles only	n/a				
Fixture Cat. No. designates BNS1 and light distribution. See the Kim Site/Roadway Optical Systems Catalog for detailed information on reflector design and application.	Horizontal Lamp Flat Glass Lens					
						
	Light Distribution:	Type I Full Cutoff	Type II Full Cutoff	Type III Full Cutoff	Type IV Forward Throw Full Cutoff	Type V Square Full Cutoff
Cat. No.:	<input type="checkbox"/> BNS1H1	<input type="checkbox"/> BNS1H2	<input type="checkbox"/> BNS1H3	<input type="checkbox"/> BNS1H4	<input type="checkbox"/> BNS1H5	
Vertical Lamp Convex Glass Lens						
						
Light Distribution:	Asymmetric <input type="checkbox"/> BNS1F3		Symmetric Square <input type="checkbox"/> BNS1F5			
Cat. No.:						

Type:

Job:

Page: 3 of 5



Standard Features

Electrical Module

HPS = High Pressure Sodium

PMH = Pulse Start Metal Halide



Lamp Watts	Lamp Type	Line Volts
100	HPS	277

Cat. Nos. for Electrical Modules available:

	<input type="checkbox"/> 70HPS120	<input type="checkbox"/> 100HPS120	<input type="checkbox"/> 150HPS120
	<input type="checkbox"/> 70HPS208	<input type="checkbox"/> 100HPS208	<input type="checkbox"/> 150HPS208
	<input type="checkbox"/> 70HPS240	<input type="checkbox"/> 100HPS240	<input type="checkbox"/> 150HPS240
	<input type="checkbox"/> 70HPS277	<input type="checkbox"/> 100HPS277	<input type="checkbox"/> 150HPS277
	<input type="checkbox"/> 70HPS347	<input type="checkbox"/> 100HPS347	<input type="checkbox"/> 150HPS347
	<input type="checkbox"/> 70HPS480²	<input type="checkbox"/> 100HPS480²	<input type="checkbox"/> 150HPS480²
Lamp	ED-17, Coated	ED-17, Coated	ED-17, Coated
Socket	Medium Base	Medium Base	Medium Base
ANSI Ballast Type	S-62	S-54	S-55

	<input type="checkbox"/> 70PMH120	<input type="checkbox"/> 100PMH120	<input type="checkbox"/> 150PMH120	<input type="checkbox"/> 175PMH120¹	<input type="checkbox"/> 200PMH120¹
	<input type="checkbox"/> 70PMH208	<input type="checkbox"/> 100PMH208	<input type="checkbox"/> 150PMH208	<input type="checkbox"/> 175PMH208¹	<input type="checkbox"/> 200PMH208¹
	<input type="checkbox"/> 70PMH240	<input type="checkbox"/> 100PMH240	<input type="checkbox"/> 150PMH240	<input type="checkbox"/> 175PMH240¹	<input type="checkbox"/> 200PMH240¹
	<input type="checkbox"/> 70PMH277	<input type="checkbox"/> 100PMH277	<input type="checkbox"/> 150PMH277	<input type="checkbox"/> 175PMH277¹	<input type="checkbox"/> 200PMH277¹
	<input type="checkbox"/> 70PMH347	<input type="checkbox"/> 100PMH347	<input type="checkbox"/> 150PMH347	<input type="checkbox"/> 175PMH347¹	<input type="checkbox"/> 200PMH347¹
	<input type="checkbox"/> 70PMH480²	<input type="checkbox"/> 100PMH480²	<input type="checkbox"/> 150PMH480²	<input type="checkbox"/> 175PMH480^{1,2}	<input type="checkbox"/> 200PMH480^{1,2}
Lamp	ED-17, Coated	ED-17, Coated	ED-17, Coated	ED-17, Coated	ED-17, Coated
Socket	Medium Base	Medium Base	Medium Base	Medium Base	Medium Base
ANSI Ballast Type	M-98	M-90	M-102	M-137	M-136

¹**NOTE:** Not for use in horizontal lamp reflectors.

²Check with local codes for use of medium base sockets with the 480 volt.

Finish

Super TGIC powder coat paint over a titanated zirconium conversion coating.

Color: Black Dark Bronze Light Gray Stealth Gray™ Platinum Silver White Custom Color³

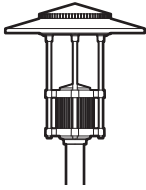
Cat. No.: **BL** **DB** **LG** **SG** **PS** **WH** **CC**

³Custom colors subject to additional charges, minimum quantities and extended lead times. Consult representative. Custom color description: _____

Type:

Job:

Page: 4 of 5



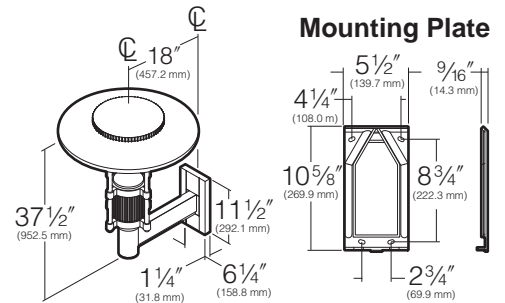
Optional Features

Wall Mounting

Cat. No. **1W**

Select from Mounting on page 2.

Extruded aluminum arm is factory assembled, with internal concealed draw bolts, to an extruded aluminum fixture support riser and a cast aluminum wall cover plate. A cast aluminum wall mounting plate pre-attaches to wall with bolts (by others). Fixture riser has a cast aluminum bottom cap. Wall cover plate has a removable cast aluminum cover for field splice access. Complete arm assembly can be mounted before field splices are made. All components are mechanically attached with no visible welds or fasteners. All wall components are finished to match fixture.

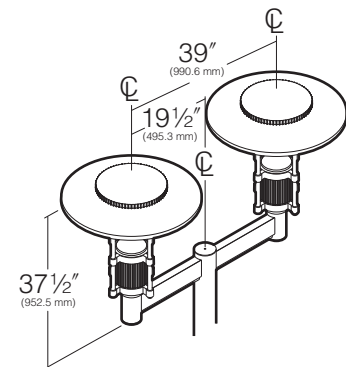


Twin Mounting

Cat. No. **2SB**

Select from Mounting on page 2.

Two extruded aluminum arms are supplied with internal concealed draw bolts for attachment to Kim 4" and 5" O.D. poles with predrilled mounting holes. Arms are 180° apart, supplied with an internal pole reinforcing plate with wire strain relief and an extruded aluminum riser for mounting FM (Flush Mount) fixtures only. A cast aluminum pole cap and matching riser cap are included, and all components are mechanically fastened to eliminate welds and visible fasteners. All components are finished to match fixture.



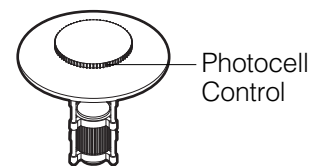
Photocell Control

Cat. No. (See right)

No Option

Factory installed fully gasketed sensor mounted in the hood.

Cat. No.	Line Volts:	Cat. No.	Line Volts:
<input type="checkbox"/> A-30	120V	<input type="checkbox"/> A-33	277V
<input type="checkbox"/> A-31	208V	<input type="checkbox"/> A-35	347V
<input type="checkbox"/> A-32	240V	<input type="checkbox"/> A-34	480V



Convex Glass Lens

Cat. No. **CGL**

No Option

The 3/16" thick clear convex tempered glass lens replaces the standard flat glass lens in horizontal lamp fixtures. Provides increased lens presence and provides a subtle improvement in uniformity where pole spacing is extreme.

NOTE: Convex lens is standard on all Vertical Lamp Optical Systems.



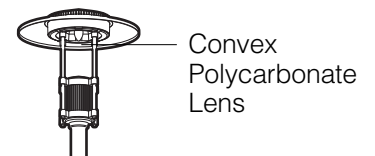
Convex Polycarbonate Lens

Cat. No. **CP**

No Option

One-piece vacuum formed, clear, UV stabilized convex polycarbonate, fully gasketed, replacing the standard tempered flat or convex glass lens.

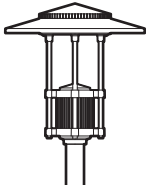
CAUTION: Use only when vandalism is anticipated to be high. Useful life of lens is limited by UV discoloration from sunlight and metal halide lamps.



Type:

Job:

Page: 5 of 5



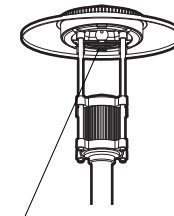
Optional Features

Houseside Shield

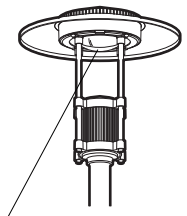
Cat. No. **(See right)**
 No Option

(Types II, III, IV - Asymmetric distributions only).

The cutoff horizontal reflectors are available with stamped aluminum louvers that pass streetside light and block houseside light, and a blackened panel added to the reflector to reduce houseside reflections. The vertical reflectors and horizontal reflectors with the optional convex lens are available with a formed aluminum shield that passes streetside light and blocks houseside light, and a blackened panel added to the reflector to reduce houseside reflections.



HS
for flat lens



HSC
for convex lens or polycarbonate lens

Cat. No.

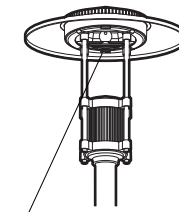
HS Not for use with Type V (horizontal lamp) or symmetric (vertical lamp) light distributions.

HSC For use with all fixtures with convex glass or polycarbonate lenses. Not for use with Type V or symmetric light distributions.

Neighbor Friendly Shield

Cat. No. **NFS**
 No Option

(Type IV only) Stamped internal shield and blocking panels are used to direct and redirect lighting into a forward throw distribution. The amount of light directed and redirected toward the back of the luminaire is dramatically reduced to create extremely low glare behind the pole. Only available on the Type IV reflectors.



NFS

Black Ballast Cover

Cat. No. **BBC**
 No Option

(For Full Cutoff distributions). Replaces reflective white ballast cover with black ballast cover. For use in conjunction with black or dark bronze fixture finish and horizontal lamp optics utilizing a flat lens only. Eliminates indirect under-hood illumination and horizontal light distribution, to produce a full cutoff light distribution. For use with Black or Dark Bronze fixtures only.

Fusing

Cat. No. **(See right)**
 No Option

High temperature fuse holders factory installed. Fuse is included.

Line Volts:	120V	208V	240V	277V	347V	480V
Cat. No.:	<input type="checkbox"/> SF	<input type="checkbox"/> DF	<input type="checkbox"/> DF	<input type="checkbox"/> SF	<input type="checkbox"/> SF	<input type="checkbox"/> DF