

Type:
Job:
Fixture Catalog number:

Fixture Electrical Module Finish

See page 2

Fixture Options:

Ordered Separately from Fixture
See pages 3-4

Approvals:

Date:
Page: 1 of 8

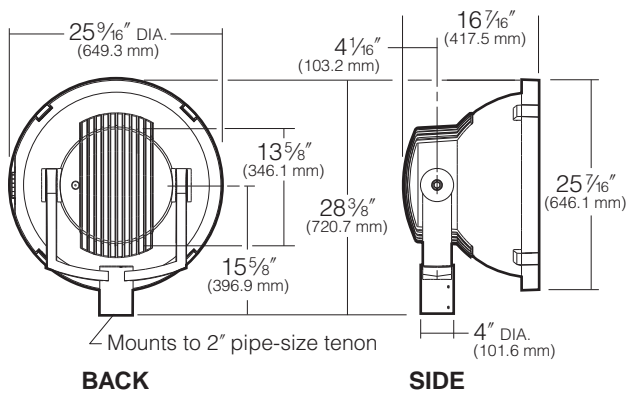
Mounting Options:

Ordered Separately from Fixture
See pages 5-8

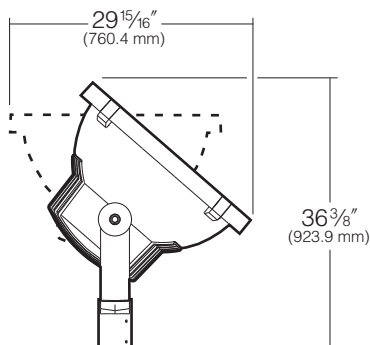
Specifications

Dimensions

AXF30R Models EPA: 2.3 (45° tilt)
750 to 1000 watt 4.1 (Face on)
Mogul Base Lamps Maximum weight: 47 lbs.



Remote Ballast



Housing: Two-piece die-cast, low copper (<0.6% Cu) aluminum alloy. Back of housing is a die-cast chamber with cooling fins to dissipate heat. The back chamber is secured with fasteners and sealed with silicone gasketing around the perimeter. The complete housing fastens to the mounting yoke with stainless steel fasteners.

Door Frame: One-piece die-cast, low copper (<0.6% Cu) aluminum alloy with one stainless steel hinge to hold the frame during servicing. Four heavy duty die-cast aluminum latches secure the frame to the housing. Sealing is provided by a one-piece extruded and vulcanized silicone gasket between the glass lens and the housing flange. Lens is clear flat 3/16" thick tempered glass secured to lens frame with retainer clips.

Yoke: Heavy, low copper (<0.6% Cu) aluminum alloy. Mounts to 2" (2.3/8" O.D.) tenon and provides routing and access of fixture and field wiring. Capped with aluminum cover.

Reflector Module: Specular Alzak® aluminum optical segments rigidly mounted to a heavy flange, attaches to the housing by stainless steel fasteners that allow the reflector to rotate 360°. A socket adjustment bracket is accessible through back of housing to fine tune the socket position and alter the light output. Sockets are porcelain mogul base rated 4KV or 5KV and mounted to an adjustable bracket system held independent from the reflector module.

Note: No exposed cable/wiring between ballast and optical assembly or between ballast and incoming power.

Finish: Super TGIC thermoset polyester powder coat paint, 2.5 mil nominal thickness, applied over a titanated zirconium conversion coating; 2500 hour salt spray test endurance rating. Standard colors are Black, Dark Bronze, Light Gray, Stealth Gray™, Platinum Silver or White. Custom colors are available.

CAUTION: Fixtures must be grounded in accordance with national, state, and/or local electrical codes. Failure to do so may result in serious personal injury.

Listings and Ratings			
UL cUL 1598 ¹	CE	IP66 Rated	25C Ambient

¹Suitable for wet locations.
KIM LIGHTING RESERVES THE RIGHT TO CHANGE SPECIFICATIONS WITHOUT NOTICE.



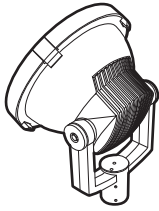
U.S. Patent Pending



Type:

Job:

Page: 2 of 8



Standard Features

Fixture

Cat. No. designates **AXF30R** fixture and beam pattern.

Single fixture EPA:
2.3 (45° tilt)
4.1 (Face on)



Light Distribution: Wide Flood Vertical Flood Medium Flood Narrow Flood Narrow Spot Wide Spot/Grazer

Cat. No.: **AXF31R** **AXF32R** **AXF33R** **AXF34R** **AXF36R** **AXF37R**

Remote Electrical Mode Required:

- MH** = Metal Halide
- PMH** = Pulse Start Metal Halide
- HPS** = High Pressure Sodium

Lamp Watts	Lamp Type	Line Volts
1000	PMH	277

Lamp housing will be labeled to wattage and lamp type required.

Cat. Nos. for Electrical Modes available:

	Metal Halide	Pulse Start Metal Halide ¹	
Lamp	BT37 Clear	BT37 Clear	BT37 Clear
Socket	Mogul Base	Mogul Base	Mogul Base
ANSI Ballast Type	M47	M149	M141

	High Pressure Sodium
Lamp	BT37 Clear
Socket	Mogul Base
ANSI Ballast Type	S111

¹Due to the adjustability and orientation of the lamp in the Axial Floodlight, pre-planning is required prior to selecting this Luminaire. The final socket position must be considered in order to select the correct lamp. Pulse Start Metal Halide lamps have specific base configurations that must be considered.

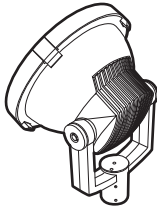
Finish

Super TGIC powder coat paint over a titanated zirconium conversion coating.

Color: Black Dark Bronze Light Gray Stealth Gray™ Platinum Silver White Custom Color¹
Cat. No.: **BL** **DB** **LG** **SG** **PS** **WH** **CC**

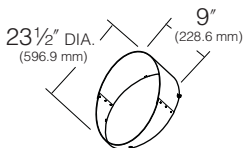
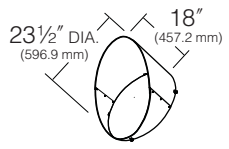
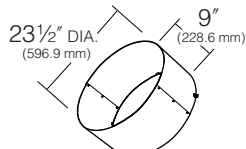
¹Custom colors subject to additional charges, minimum quantities and extended lead times. Consult representative. Custom color description: _____

Type:
Job:



Fixture Options

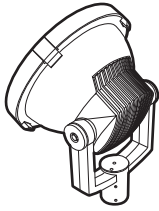
Ordered Separately from Fixture

<p>Tamper-Resistant Latch Cat. No. <input type="checkbox"/> TL <input type="checkbox"/> No Option</p>	<p>Standard die-cast latch is provided with captive 10-32 stainless steel flat socket-head screw to prevent unauthorized opening. Required only for vandal protection in locations where fixtures can be reached by unauthorized persons.</p>																
<p>Short Fixed Hood Cat. No. (see right) <input type="checkbox"/> No Option</p>	<p>All distributions.</p> <p>Formed 1/16" thick aluminum. Mounts to predrilled door frame holes. Can be mounted along the top or bottom of the fixture to shield the lamp and lens from view. Provides moderate shielding for ground mounted fixtures next to walkways, driveways, or roadways. Functional with all reflector types but more effective with medium flood or spot distributions.</p> <div style="display: flex; justify-content: space-between; margin-top: 10px;"> <table style="width: 45%;"> <tr> <td>Cat. No.</td> <td>Finish:</td> <td>Cat. No.</td> <td>Finish:</td> </tr> <tr> <td><input type="checkbox"/> AXF3-SFH/BL</td> <td>Black</td> <td><input type="checkbox"/> AXF3-SFH/DB</td> <td>Dark Bronze</td> </tr> <tr> <td><input type="checkbox"/> AXF3-SFH/LG</td> <td>Light Gray</td> <td><input type="checkbox"/> AXF3-SFH/PS</td> <td>Platinum Silver</td> </tr> <tr> <td><input type="checkbox"/> AXF3-SFH/SG</td> <td>Stealth Gray™</td> <td><input type="checkbox"/> AXF3-SFH/WH</td> <td>White</td> </tr> </table> <div style="width: 45%; text-align: right;">  </div> </div>	Cat. No.	Finish:	Cat. No.	Finish:	<input type="checkbox"/> AXF3-SFH/BL	Black	<input type="checkbox"/> AXF3-SFH/DB	Dark Bronze	<input type="checkbox"/> AXF3-SFH/LG	Light Gray	<input type="checkbox"/> AXF3-SFH/PS	Platinum Silver	<input type="checkbox"/> AXF3-SFH/SG	Stealth Gray™	<input type="checkbox"/> AXF3-SFH/WH	White
Cat. No.	Finish:	Cat. No.	Finish:														
<input type="checkbox"/> AXF3-SFH/BL	Black	<input type="checkbox"/> AXF3-SFH/DB	Dark Bronze														
<input type="checkbox"/> AXF3-SFH/LG	Light Gray	<input type="checkbox"/> AXF3-SFH/PS	Platinum Silver														
<input type="checkbox"/> AXF3-SFH/SG	Stealth Gray™	<input type="checkbox"/> AXF3-SFH/WH	White														
<p>Long Fixed Hood Cat. No. (see right) <input type="checkbox"/> No Option</p>	<p>AXF32R Vertical Flood, AXF34R Narrow Flood and AXF36R Narrow Spot Distributions only.</p> <p>Formed 1/16" thick aluminum. Mounts to predrilled door frame holes. Can be mounted along the top or bottom of the fixture to shield the lamp and lens from view. Provides extra shielding for ground mounted fixtures next to walkways, driveways, or roadways. Primarily used with narrow flood reflectors but will also work with spot distributions.</p> <div style="display: flex; justify-content: space-between; margin-top: 10px;"> <table style="width: 45%;"> <tr> <td>Cat. No.</td> <td>Finish:</td> <td>Cat. No.</td> <td>Finish:</td> </tr> <tr> <td><input type="checkbox"/> AXF3-LFH/BL</td> <td>Black</td> <td><input type="checkbox"/> AXF3-LFH/DB</td> <td>Dark Bronze</td> </tr> <tr> <td><input type="checkbox"/> AXF3-LFH/LG</td> <td>Light Gray</td> <td><input type="checkbox"/> AXF3-LFH/PS</td> <td>Platinum Silver</td> </tr> <tr> <td><input type="checkbox"/> AXF3-LFH/SG</td> <td>Stealth Gray™</td> <td><input type="checkbox"/> AXF3-LFH/WH</td> <td>White</td> </tr> </table> <div style="width: 45%; text-align: right;">  </div> </div>	Cat. No.	Finish:	Cat. No.	Finish:	<input type="checkbox"/> AXF3-LFH/BL	Black	<input type="checkbox"/> AXF3-LFH/DB	Dark Bronze	<input type="checkbox"/> AXF3-LFH/LG	Light Gray	<input type="checkbox"/> AXF3-LFH/PS	Platinum Silver	<input type="checkbox"/> AXF3-LFH/SG	Stealth Gray™	<input type="checkbox"/> AXF3-LFH/WH	White
Cat. No.	Finish:	Cat. No.	Finish:														
<input type="checkbox"/> AXF3-LFH/BL	Black	<input type="checkbox"/> AXF3-LFH/DB	Dark Bronze														
<input type="checkbox"/> AXF3-LFH/LG	Light Gray	<input type="checkbox"/> AXF3-LFH/PS	Platinum Silver														
<input type="checkbox"/> AXF3-LFH/SG	Stealth Gray™	<input type="checkbox"/> AXF3-LFH/WH	White														
<p>Round Full Shield Cat. No. (see right) <input type="checkbox"/> No Option</p>	<p>AXF33R Medium Flood, AXF34R Narrow Flood and AXF36R Narrow Spot distributions only.</p> <p>Formed 1/16" thick aluminum. Mounts to predrilled lens and provides complete shielding around the perimeter of lens opening. Primarily used with medium flood and spot distributions.</p> <div style="display: flex; justify-content: space-between; margin-top: 10px;"> <table style="width: 45%;"> <tr> <td>Cat. No.</td> <td>Finish:</td> <td>Cat. No.</td> <td>Finish:</td> </tr> <tr> <td><input type="checkbox"/> AXF3-RFS/BL</td> <td>Black</td> <td><input type="checkbox"/> AXF3-RFS/DB</td> <td>Dark Bronze</td> </tr> <tr> <td><input type="checkbox"/> AXF3-RFS/LG</td> <td>Light Gray</td> <td><input type="checkbox"/> AXF3-RFS/PS</td> <td>Platinum Silver</td> </tr> <tr> <td><input type="checkbox"/> AXF3-RFS/SG</td> <td>Stealth Gray™</td> <td><input type="checkbox"/> AXF3-RFS/WH</td> <td>White</td> </tr> </table> <div style="width: 45%; text-align: right;">  </div> </div> <p>CAUTION: Do not use in locations where leaves and debris can collect inside, as this will create a fire hazard and may cause the fixture to overheat.</p>	Cat. No.	Finish:	Cat. No.	Finish:	<input type="checkbox"/> AXF3-RFS/BL	Black	<input type="checkbox"/> AXF3-RFS/DB	Dark Bronze	<input type="checkbox"/> AXF3-RFS/LG	Light Gray	<input type="checkbox"/> AXF3-RFS/PS	Platinum Silver	<input type="checkbox"/> AXF3-RFS/SG	Stealth Gray™	<input type="checkbox"/> AXF3-RFS/WH	White
Cat. No.	Finish:	Cat. No.	Finish:														
<input type="checkbox"/> AXF3-RFS/BL	Black	<input type="checkbox"/> AXF3-RFS/DB	Dark Bronze														
<input type="checkbox"/> AXF3-RFS/LG	Light Gray	<input type="checkbox"/> AXF3-RFS/PS	Platinum Silver														
<input type="checkbox"/> AXF3-RFS/SG	Stealth Gray™	<input type="checkbox"/> AXF3-RFS/WH	White														

Type:

Job:

Page: 4 of 8



Fixture Options

Ordered Separately from Fixture

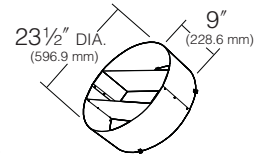
Horizontal Louver

Cat. No. (see right)
 No Option

AXF37R Wide Spot/Grazer distribution only.

Formed 1/16" thick aluminum. Mounts to predrilled door frame holes.

Cat. No.	Finish:	Cat. No.	Finish:
<input type="checkbox"/> AXF3-HL/BL	Black	<input type="checkbox"/> AXF3-HL/DB	Dark Bronze
<input type="checkbox"/> AXF3-HL/LG	Light Gray	<input type="checkbox"/> AXF3-HL/PS	Platinum Silver
<input type="checkbox"/> AXF3-HL/SG	Stealth Gray™	<input type="checkbox"/> AXF3-HL/WH	White



CAUTION: Do not use in locations where leaves and debris can collect inside, as this will create a fire hazard and may cause the fixture to overheat.

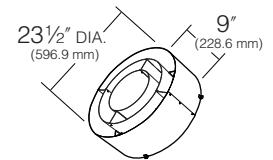
Spot Ring Louver

Cat. No. (see right)
 No Option

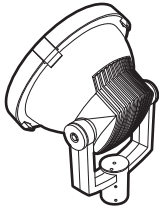
AXF36R Narrow Spot distribution only.

Formed 1/16" thick aluminum. Mounts to predrilled door frame holes. Concentric rings centered on lens frame provide glare control by allowing light beams to pass on spot distributions.

Cat. No.	Finish:	Cat. No.	Finish:
<input type="checkbox"/> AXF3-SRL/BL	Black	<input type="checkbox"/> AXF3-SRL/DB	Dark Bronze
<input type="checkbox"/> AXF3-SRL/LG	Light Gray	<input type="checkbox"/> AXF3-SRL/PS	Platinum Silver
<input type="checkbox"/> AXF3-SRL/SG	Stealth Gray™	<input type="checkbox"/> AXF3-SRL/WH	White



Type:
 Job:



Mounting Options

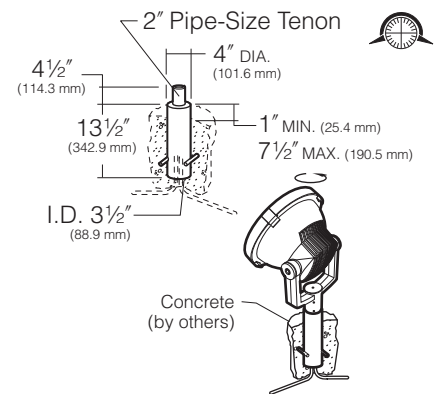
Ordered Separately from Fixture

Stanchion Mount Tenon

- Cat. No. SM2/BL
 No Option

For ground or pedestal mount applications. 4" O.D. cast aluminum stanchion with 2" pipe-size tenon (2³/₈" O.D., 1³/₈" I.D.) for mounting a single fixture or multiple top-mounts. Black finish.

CAUTION: Multiple top-mounts must not be used in locations where people can climb on fixtures and mounting arms. To assure a rigid installation, Stanchion must be set in concrete (by others).

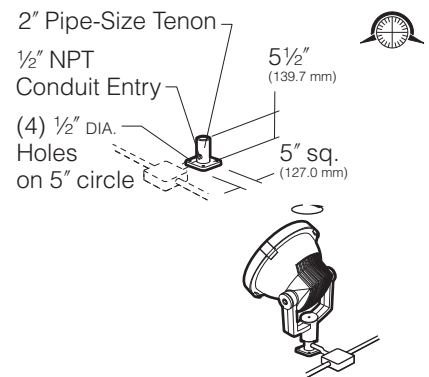


Surface Mount Tenon

- Cat. No. SMT/BL
 No Option

For parapet, deck, or other surface mounting. 2" pipe-size tenon (2³/₈" O.D., 2" I.D.) welded to a heavy-duty cast aluminum plate. Plate has four 1/2" mounting holes, and tenon has one 1/2" NPT for side conduit entry. Black finish.

NOTE: May also be used for wall mount grazing if horizontal fixture adjustment is not necessary. For wall mounting and horizontal fixture adjustment use AXF3-WM.



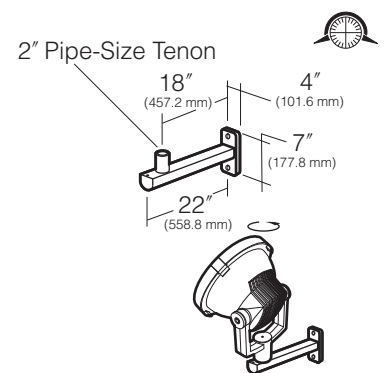
Wall Mount Tenon

- Cat. No. (See right)
 No Option

Component EPA: 0.3

For mounting the Axial Flood on walls and other vertical surfaces where horizontal adjustment may be necessary. 2" pipe-size tenon (2³/₈" O.D., 2" I.D.) welded to an extruded aluminum arm with a removable end cap for wiring access. Arm is welded to a cast aluminum plate with two 1/2" mounting holes. May be used with optional WEB wall embedment bracket.

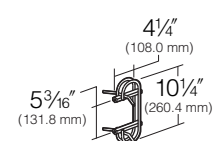
- Cat. No. Finish:
- AXF3-WM/BL Black
 - AXF3-WM/DB Dark Bronze
 - AXF3-WM/LG Light Gray
 - AXF3-WM/SG Stealth Gray™
 - AXF3-WM/PS Platinum Silver
 - AXF3-WM/WH White



Wall Embedment Bracket

- Cat. No. WEB
 No Option

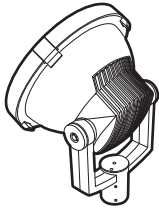
Available for use with AXF3-WM. Provides 3/8-16 bolt receptacles welded in a galvanized rebar cage for casting into poured-in-place concrete walls. Bolt receptacles receive fixture attachment bolts.



Type:

Job:

Page: 6 of 8



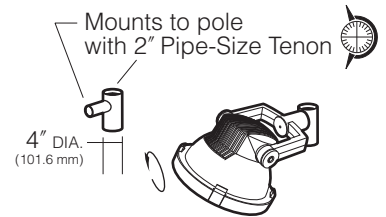
Mounting Options

Ordered Separately from Fixture

Side Mount Tenon

- Cat. No. **SMT-1A**
 No Option

Cast vertical slip fitter with heavy extruded aluminum side mount 2" pipe-size tenon (2 3/8" O.D., 2" I.D.). Mounts to 2" pipe-size tenon.



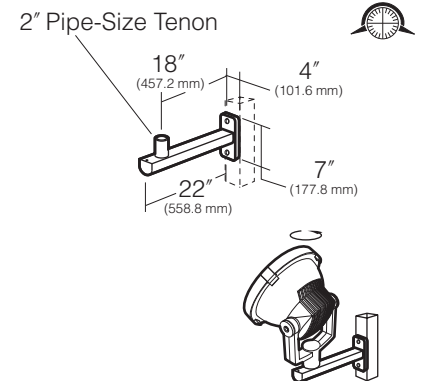
Side Pole Mount Tenon for Square Poles

- Cat. No. **(See right)**
 No Option

Component EPA: 0.3

2" pipe-size tenon (2 3/8" O.D., 2" I.D.) welded to an extruded aluminum arm with a removable end cap for wiring access. Arm is welded to a cast aluminum plate with two 1/2" mounting holes. Zinc plated steel backing plate is provided for insertion inside the pole for structural support. Mounts to 4" minimum square pole.

- Cat. No. Finish:
- AXF3-SPS/BL** Black
 - AXF3-SPS/DB** Dark Bronze
 - AXF3-SPS/LG** Light Gray
 - AXF3-SPS/SG** Stealth Gray™
 - AXF3-SPS/PS** Platinum Silver
 - AXF3-SPS/WH** White



Example: **AXF3-SPS/BL** for Square Pole

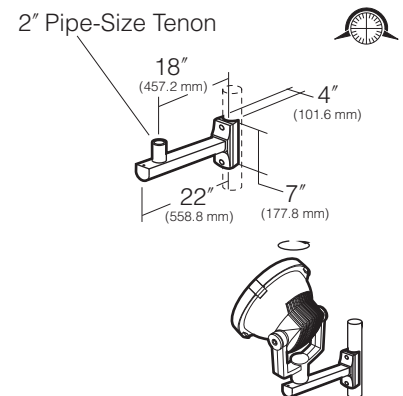
Side Pole Mount Tenon for Round Poles

- Cat. No. **(see right)**
 No Option

Component EPA: 0.3

2" pipe-size tenon (2 3/8" O.D., 2" I.D.) welded to an extruded aluminum arm with a removable end cap for wiring access. Arm is welded to a cast aluminum plate with two 1/2" mounting holes. Zinc plated steel backing plate is provided for insertion inside the pole for structural support.

- Cat. No. Finish:
- AXF3-SPR-X/BL** Black
 - AXF3-SPR-X/DB** Dark Bronze
 - AXF3-SPR-X/LG** Light Gray
 - AXF3-SPR-X/SG** Stealth Gray™
 - AXF3-SPR-X/PS** Platinum Silver
 - AXF3-SPR-X/WH** White



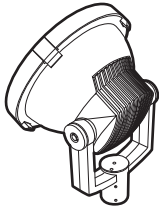
Side Pole Mount Cat. No. includes pole dia. and finish.

Pole Diameter Selection

- 3"**
- 3 1/2"**
- 4"**
- 5"**
- 6"**

Example: **AXF3-SPR-4/BL** for 4" Round Pole

Type:
 Job:



Mounting Options

Ordered Separately from Fixture

Twin Mount Tenon

Cat. No. (see right)
 No Option

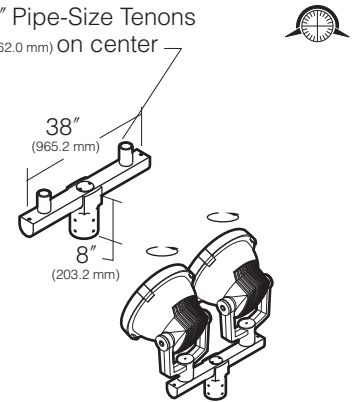
Component EPA: 1.0

Extruded aluminum support continuously welded to a heavy cast aluminum slipfitter hub that cradles the arm for strength. The slipfitter hub contains four recessed 3/8" stainless steel allen head set point screws for mounting to steel pole with 2" pipe-size steel tenon (2 3/8" O.D. x 4 1/4" Length). Cast aluminum end caps and center cap provide access to field splice connections.

CAUTION: Approved for mounting to poles with steel tenons only.

- | | |
|---|-----------------|
| Cat. No. | Finish: |
| <input type="checkbox"/> AXF3-MTM-2B/BL | Black |
| <input type="checkbox"/> AXF3-MTM-2B/DB | Dark Bronze |
| <input type="checkbox"/> AXF3-MTM-2B/LG | Light Gray |
| <input type="checkbox"/> AXF3-MTM-2B/SG | Stealth Gray™ |
| <input type="checkbox"/> AXF3-MTM-2B/PS | Platinum Silver |
| <input type="checkbox"/> AXF3-MTM-2B/WH | White |

(2) 2" Pipe-Size Tenons
 30" (762.0 mm) On center



Twin Side Tenon Mount

Cat. No. (see right)
 No Option

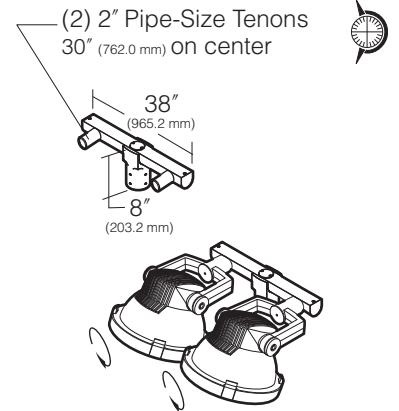
Component EPA: 1.0

Extruded aluminum support continuously welded to a heavy cast aluminum slipfitter hub that cradles the arm for strength. The slipfitter hub contains four recessed 3/8" stainless steel allen head set point screws for mounting to steel pole with 2" pipe-size steel tenon (2 3/8" O.D. x 4 1/4" Length). Cast aluminum end caps and center cap provide access to field splice connections.

CAUTION: Approved for mounting to poles with steel tenons only.

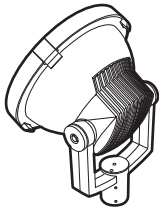
- | | |
|---|-----------------|
| Cat. No. | Finish: |
| <input type="checkbox"/> AXF3-STM-2B/BL | Black |
| <input type="checkbox"/> AXF3-STM-2B/DB | Dark Bronze |
| <input type="checkbox"/> AXF3-STM-2B/LG | Light Gray |
| <input type="checkbox"/> AXF3-STM-2B/SG | Stealth Gray™ |
| <input type="checkbox"/> AXF3-STM-2B/PS | Platinum Silver |
| <input type="checkbox"/> AXF3-STM-2B/WH | White |

(2) 2" Pipe-Size Tenons
 30" (762.0 mm) On center



Type:

Job:



Mounting Options

Ordered Separately from Fixture

Triple Mount Tenon

Cat. No. (see right)
 No Option

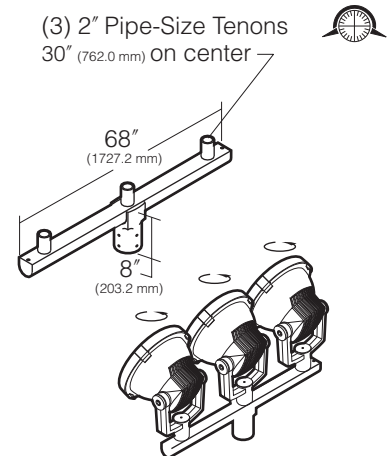
Component EPA: 1.5

Extruded aluminum support continuously welded to a heavy cast aluminum slipfitter hub that cradles the arm for strength. The slipfitter hub contains four recessed $\frac{3}{8}$ " stainless steel allen head set point screws for mounting to steel pole with steel 2" pipe-size tenon ($2\frac{3}{8}$ " O.D. x $4\frac{1}{4}$ " Length). Cast aluminum end caps and center cap provide access to field splice connections.

CAUTION: Approved for mounting to poles with steel tenons only.

- | | |
|---|-----------------|
| Cat. No. | Finish: |
| <input type="checkbox"/> AXF3-MTM-3E/BL | Black |
| <input type="checkbox"/> AXF3-MTM-3E/DB | Dark Bronze |
| <input type="checkbox"/> AXF3-MTM-3E/LG | Light Gray |
| <input type="checkbox"/> AXF3-MTM-3E/SG | Stealth Gray™ |
| <input type="checkbox"/> AXF3-MTM-3E/PS | Platinum Silver |
| <input type="checkbox"/> AXF3-MTM-3E/WH | White |

(3) 2" Pipe-Size Tenons
 30" (762.0 mm) on center



Triple Side Tenon Mount

Cat. No. (see right)
 No Option

Component EPA: 1.5

Extruded aluminum support continuously welded to a heavy cast aluminum slipfitter hub that cradles the arm for strength. The slipfitter hub contains four recessed $\frac{3}{8}$ " stainless steel allen head set point screws for mounting to steel pole with steel 2" pipe-size tenon ($2\frac{3}{8}$ " O.D. x $4\frac{1}{4}$ " Length). Cast aluminum end caps and center cap provide access to field splice connections.

CAUTION: Approved for mounting to poles with steel tenons only.

- | | |
|---|-----------------|
| Cat. No. | Finish: |
| <input type="checkbox"/> AXF3-STM-3E/BL | Black |
| <input type="checkbox"/> AXF3-STM-3E/DB | Dark Bronze |
| <input type="checkbox"/> AXF3-STM-3E/LG | Light Gray |
| <input type="checkbox"/> AXF3-STM-3E/SG | Stealth Gray™ |
| <input type="checkbox"/> AXF3-STM-3E/PS | Platinum Silver |
| <input type="checkbox"/> AXF3-STM-3E/WH | White |

(3) 2" Pipe-Size Tenons
 30" (762.0 mm) on center

