

**Type:**  
**Job:**  
**Fixture Catalog number:**

\_\_\_\_\_ / \_\_\_\_\_ / \_\_\_\_\_  
 Fixture    Electrical Module    Finish    Optional Photocell / Fusing

\_\_\_\_\_ See page 2    \_\_\_\_\_ See page 3  
 Ordered assembled with fixture.

**Fixture Options:**

\_\_\_\_\_  
 Ordered Separately from Fixture  
 See pages 4-5

**Approvals:**

**Date:**  
**Page: 1 of 9**

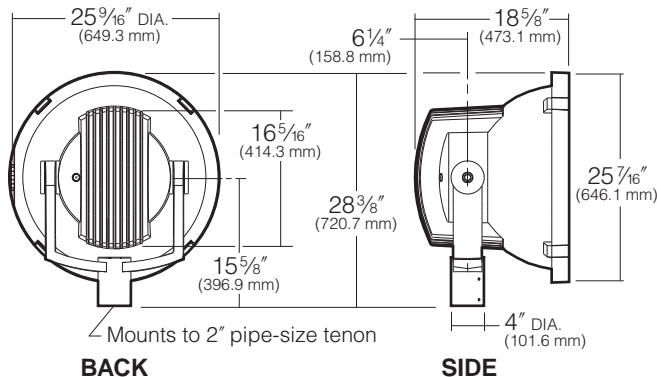
**Mounting Options:**

\_\_\_\_\_  
 Ordered Separately from Fixture  
 See pages 6-9

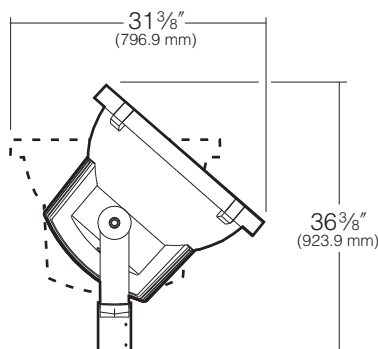
## Specifications

### Dimensions

AXF30 Models                      EPA: 2.3 (45° tilt)  
 750 to 1000 watt                      4.1 (Face on)  
 Mogul Base Lamps                      Maximum weight: 69 lbs.



### Integral Ballast



**Housing:** Two-piece die-cast, low copper (<0.6% Cu) aluminum alloy. Back of housing is a die-cast ballast chamber with cooling fins to dissipate heat. The ballast chamber is secured with fasteners and sealed with silicone gasketing around the perimeter. The complete housing fastens to the mounting yoke with stainless steel fasteners.

**Door Frame:** One-piece die-cast, low copper (<0.6% Cu) aluminum alloy with one stainless steel hinge to hold the frame during servicing. Four heavy duty die-cast aluminum latches secure the frame to the housing. Sealing is provided by a one-piece extruded and vulcanized silicone gasket between the glass lens and the housing flange. Lens is clear flat <sup>3</sup>/<sub>16</sub>" thick tempered glass secured to lens frame with retainer clips.

**Yoke:** Heavy, low copper (<0.6% Cu) aluminum alloy. Mounts to 2" (2<sup>3</sup>/<sub>8</sub>" O.D.) tenon and provides routing and access of fixture and field wiring. Capped with aluminum cover.

**Reflector Module:** Specular Alzak<sup>®</sup> aluminum optical segments rigidly mounted to a heavy flange, attaches to the housing by stainless steel fasteners that allow the reflector to rotate 360°. A socket adjustment bracket is accessible through back of housing to fine tune the socket position and alter the light output. Sockets are porcelain mogul base rated 4KV or 5KV and mounted to an adjustable bracket system held independent from the reflector module.

**Electrical Module:** High power factor ballasts are mounted to a rigid aluminum tray and secured to the housing with screws and key hole slots. Factory prewired with quick-disconnect plugs for mating to the reflector module and incoming leads.

**Note:** No exposed cable/wiring between ballast and optical assembly or between ballast and incoming power.

**Finish:** Super TGIC thermoset polyester powder coat paint, 2.5 mil nominal thickness, applied over a titanated zirconium conversion coating; 2500 hour salt spray test endurance rating. Standard colors are Black, Dark Bronze, Light Gray, Stealth Gray™, Platinum Silver or White. Custom colors are available.

**CAUTION:** Fixtures must be grounded in accordance with national, state, and/or local electrical codes. Failure to do so may result in serious personal injury.

Listings and Ratings			
UL cUL 1598 <sup>1</sup>	CE	IP66 Rated	25C Ambient

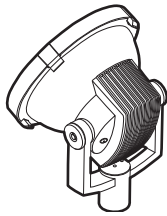
<sup>1</sup>Suitable for wet locations.  
 KIM LIGHTING RESERVES THE RIGHT TO CHANGE SPECIFICATIONS WITHOUT NOTICE.



U.S. Patent Pending



Type:  
Job:



## Standard Features

**Fixture**

Cat. No. designates **AXF30** fixture and beam pattern.

Single fixture EPA:  
2.3 (45° tilt)  
4.1 (Face on)



Light Distribution: Wide Flood    Vertical Flood    Medium Flood    Narrow Flood    Narrow Spot    Wide Spot/Grazer

Cat. No.:     **AXF31**     **AXF32**     **AXF33**     **AXF34**     **AXF36**     **AXF37**

**Electrical Module:**

**MH** = Metal Halide  
**PMH** = Pulse Start Metal Halide  
**HPS** = High Pressure Sodium

Cat. Nos. for Electrical Modules available:

	Metal Halide	Pulse Start Metal Halide <sup>1</sup>	
	<input type="checkbox"/> <b>1000MH120</b> <input type="checkbox"/> <b>1000MH208</b> <input type="checkbox"/> <b>1000MH240</b> <input type="checkbox"/> <b>1000MH277</b> <input type="checkbox"/> <b>1000MH347</b> <input type="checkbox"/> <b>1000MH480</b>	<input type="checkbox"/> <b>750PMH120</b> <input type="checkbox"/> <b>750PMH208</b> <input type="checkbox"/> <b>750PMH240</b> <input type="checkbox"/> <b>750PMH277</b> <input type="checkbox"/> <b>750PMH347</b> <input type="checkbox"/> <b>750PMH480</b>	<input type="checkbox"/> <b>1000PMH120</b> <input type="checkbox"/> <b>1000PMH208</b> <input type="checkbox"/> <b>1000PMH240</b> <input type="checkbox"/> <b>1000PMH277</b> <input type="checkbox"/> <b>1000PMH347</b> <input type="checkbox"/> <b>1000PMH480</b>
Lamp	BT37 Clear	BT37 Clear	BT37 Clear
Socket	Mogul Base	Mogul Base	Mogul Base
ANSI Ballast Type	M47	M149	M141

	High Pressure Sodium
	<input type="checkbox"/> <b>750HPS120</b> <input type="checkbox"/> <b>750HPS208</b> <input type="checkbox"/> <b>750HPS240</b> <input type="checkbox"/> <b>750HPS277</b> <input type="checkbox"/> <b>750HPS347</b> <input type="checkbox"/> <b>750HPS480</b>
Lamp	BT37 Clear
Socket	Mogul Base
ANSI Ballast Type	S111

<sup>1</sup>Due to the adjustability and orientation of the lamp in the Axial Floodlight, pre-planning is required prior to selecting this Luminaire. The final socket position must be considered in order to select the correct lamp. Pulse Start Metal Halide lamps have specific base configurations that must be considered.

**Finish**

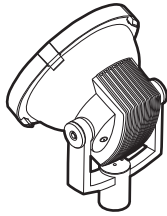
Super TGIC powder coat paint over a titanated zirconium conversion coating.

Color:    Black    Dark Bronze    Light Gray    Stealth Gray™    Platinum Silver    White    Custom Color<sup>1</sup>  
 Cat. No.:  **BL**     **DB**     **LG**     **SG**     **PS**     **WH**     **CC**

<sup>1</sup>Custom colors subject to additional charges, minimum quantities and extended lead times. Consult representative. Custom color description: \_\_\_\_\_

Type:

Job:



## Optional Features

Ordered Assembled with Fixture

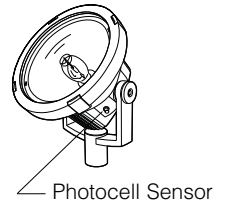
### Photocell

Cat. No. **(see right)**  
 No Option

Factory installed with flush sensor on side of housing. Select photocell with same line volts as fixture.

**CAUTION:** Use only in locations where adjacent lighting will not affect operation of photocell.

Cat. No.	Line Volts		
<input type="checkbox"/> <b>A-30</b>	120V	<input type="checkbox"/> <b>A-33</b>	277V
<input type="checkbox"/> <b>A-31</b>	208V	<input type="checkbox"/> <b>A-35</b>	347V
<input type="checkbox"/> <b>A-32</b>	240V	<input type="checkbox"/> <b>A-34</b>	480V

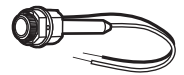


### Fusing

Cat. No. **(see right)**  
 No Option

High temperature fuse holders factory installed inside the fixture housing. Fuse is included.

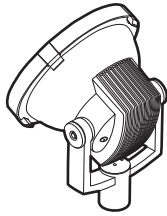
Line Volts:	120V	208V	240V	277V	347V	480V
Cat. No.:	<input type="checkbox"/> <b>SF</b>	<input type="checkbox"/> <b>DF</b>	<input type="checkbox"/> <b>DF</b>	<input type="checkbox"/> <b>SF</b>	<input type="checkbox"/> <b>SF</b>	<input type="checkbox"/> <b>DF</b>



Single Fuse

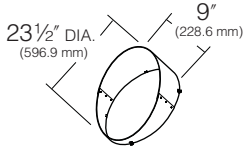

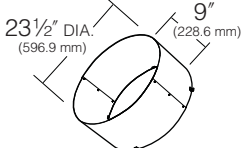
Type:

Job:



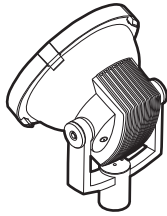
## Fixture Options

Ordered Separately from Fixture

<p><b>Tamper-Resistant Latch</b>          Cat. No. <input type="checkbox"/> TL  <input type="checkbox"/> No Option</p>	<p>Standard die-cast latch is provided with captive 10-32 stainless steel flat socket-head screw to prevent unauthorized opening. Required only for vandal protection in locations where fixtures can be reached by unauthorized persons.</p>																
<p><b>Short Fixed Hood</b>          Cat. No. (see right)  <input type="checkbox"/> No Option</p>	<p>All distributions.</p> <p>Formed 1/16" thick aluminum. Mounts to predrilled door frame holes. Can be mounted along the top or bottom of the fixture to shield the lamp and lens from view. Provides moderate shielding for ground mounted fixtures next to walkways, driveways, or roadways. Functional with all reflector types but more effective with medium flood or spot distributions.</p> <div style="display: flex; justify-content: space-between;"> <table border="0"> <tr> <td>Cat. No.</td> <td>Finish:</td> <td>Cat. No.</td> <td>Finish:</td> </tr> <tr> <td><input type="checkbox"/> AXF3-SFH/BL</td> <td>Black</td> <td><input type="checkbox"/> AXF3-SFH/DB</td> <td>Dark Bronze</td> </tr> <tr> <td><input type="checkbox"/> AXF3-SFH/LG</td> <td>Light Gray</td> <td><input type="checkbox"/> AXF3-SFH/PS</td> <td>Platinum Silver</td> </tr> <tr> <td><input type="checkbox"/> AXF3-SFH/SG</td> <td>Stealth Gray™</td> <td><input type="checkbox"/> AXF3-SFH/WH</td> <td>White</td> </tr> </table>  </div>	Cat. No.	Finish:	Cat. No.	Finish:	<input type="checkbox"/> AXF3-SFH/BL	Black	<input type="checkbox"/> AXF3-SFH/DB	Dark Bronze	<input type="checkbox"/> AXF3-SFH/LG	Light Gray	<input type="checkbox"/> AXF3-SFH/PS	Platinum Silver	<input type="checkbox"/> AXF3-SFH/SG	Stealth Gray™	<input type="checkbox"/> AXF3-SFH/WH	White
Cat. No.	Finish:	Cat. No.	Finish:														
<input type="checkbox"/> AXF3-SFH/BL	Black	<input type="checkbox"/> AXF3-SFH/DB	Dark Bronze														
<input type="checkbox"/> AXF3-SFH/LG	Light Gray	<input type="checkbox"/> AXF3-SFH/PS	Platinum Silver														
<input type="checkbox"/> AXF3-SFH/SG	Stealth Gray™	<input type="checkbox"/> AXF3-SFH/WH	White														
<p><b>Long Fixed Hood</b>          Cat. No. (see right)  <input type="checkbox"/> No Option</p>	<p>AXF32 Vertical Flood, AXF34 Narrow Flood and AXF36 Narrow Spot Distributions only.</p> <p>Formed 1/16" thick aluminum. Mounts to predrilled door frame holes. Can be mounted along the top or bottom of the fixture to shield the lamp and lens from view. Provides extra shielding for ground mounted fixtures next to walkways, driveways, or roadways. Primarily used with narrow flood reflectors but will also work with spot distributions.</p> <div style="display: flex; justify-content: space-between;"> <table border="0"> <tr> <td>Cat. No.</td> <td>Finish:</td> <td>Cat. No.</td> <td>Finish:</td> </tr> <tr> <td><input type="checkbox"/> AXF3-LFH/BL</td> <td>Black</td> <td><input type="checkbox"/> AXF3-LFH/DB</td> <td>Dark Bronze</td> </tr> <tr> <td><input type="checkbox"/> AXF3-LFH/LG</td> <td>Light Gray</td> <td><input type="checkbox"/> AXF3-LFH/PS</td> <td>Platinum Silver</td> </tr> <tr> <td><input type="checkbox"/> AXF3-LFH/SG</td> <td>Stealth Gray™</td> <td><input type="checkbox"/> AXF3-LFH/WH</td> <td>White</td> </tr> </table>  </div>	Cat. No.	Finish:	Cat. No.	Finish:	<input type="checkbox"/> AXF3-LFH/BL	Black	<input type="checkbox"/> AXF3-LFH/DB	Dark Bronze	<input type="checkbox"/> AXF3-LFH/LG	Light Gray	<input type="checkbox"/> AXF3-LFH/PS	Platinum Silver	<input type="checkbox"/> AXF3-LFH/SG	Stealth Gray™	<input type="checkbox"/> AXF3-LFH/WH	White
Cat. No.	Finish:	Cat. No.	Finish:														
<input type="checkbox"/> AXF3-LFH/BL	Black	<input type="checkbox"/> AXF3-LFH/DB	Dark Bronze														
<input type="checkbox"/> AXF3-LFH/LG	Light Gray	<input type="checkbox"/> AXF3-LFH/PS	Platinum Silver														
<input type="checkbox"/> AXF3-LFH/SG	Stealth Gray™	<input type="checkbox"/> AXF3-LFH/WH	White														
<p><b>Round Full Shield</b>          Cat. No. (see right)  <input type="checkbox"/> No Option</p>	<p>AXF33 Medium Flood, AXF34 Narrow Flood and AXF36 Narrow Spot distributions only.</p> <p>Formed 1/16" thick aluminum. Mounts to predrilled lens and provides complete shielding around the perimeter of lens opening. Primarily used with medium flood and spot distributions.</p> <div style="display: flex; justify-content: space-between;"> <table border="0"> <tr> <td>Cat. No.</td> <td>Finish:</td> <td>Cat. No.</td> <td>Finish:</td> </tr> <tr> <td><input type="checkbox"/> AXF3-RFS/BL</td> <td>Black</td> <td><input type="checkbox"/> AXF3-RFS/DB</td> <td>Dark Bronze</td> </tr> <tr> <td><input type="checkbox"/> AXF3-RFS/LG</td> <td>Light Gray</td> <td><input type="checkbox"/> AXF3-RFS/PS</td> <td>Platinum Silver</td> </tr> <tr> <td><input type="checkbox"/> AXF3-RFS/SG</td> <td>Stealth Gray™</td> <td><input type="checkbox"/> AXF3-RFS/WH</td> <td>White</td> </tr> </table>  </div> <p><b>CAUTION:</b> Do not use in locations where leaves and debris can collect inside, as this will create a fire hazard and may cause the fixture to overheat.</p>	Cat. No.	Finish:	Cat. No.	Finish:	<input type="checkbox"/> AXF3-RFS/BL	Black	<input type="checkbox"/> AXF3-RFS/DB	Dark Bronze	<input type="checkbox"/> AXF3-RFS/LG	Light Gray	<input type="checkbox"/> AXF3-RFS/PS	Platinum Silver	<input type="checkbox"/> AXF3-RFS/SG	Stealth Gray™	<input type="checkbox"/> AXF3-RFS/WH	White
Cat. No.	Finish:	Cat. No.	Finish:														
<input type="checkbox"/> AXF3-RFS/BL	Black	<input type="checkbox"/> AXF3-RFS/DB	Dark Bronze														
<input type="checkbox"/> AXF3-RFS/LG	Light Gray	<input type="checkbox"/> AXF3-RFS/PS	Platinum Silver														
<input type="checkbox"/> AXF3-RFS/SG	Stealth Gray™	<input type="checkbox"/> AXF3-RFS/WH	White														

Type:

Job:



## Fixture Options

Ordered Separately from Fixture

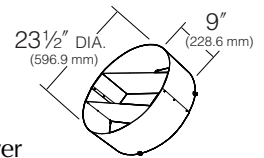
### Horizontal Louver

Cat. No. (see right)  
 No Option

AXF37 Wide Spot/Grazer distribution only.

Formed 1/16" thick aluminum. Mounts to predrilled door frame holes.

Cat. No.	Finish:	Cat. No.	Finish:
<input type="checkbox"/> AXF3-HL/BL	Black	<input type="checkbox"/> AXF3-HL/DB	Dark Bronze
<input type="checkbox"/> AXF3-HL/LG	Light Gray	<input type="checkbox"/> AXF3-HL/PS	Platinum Silver
<input type="checkbox"/> AXF3-HL/SG	Stealth Gray™	<input type="checkbox"/> AXF3-HL/WH	White



**CAUTION:** Do not use in locations where leaves and debris can collect inside, as this will create a fire hazard and may cause the fixture to overheat.

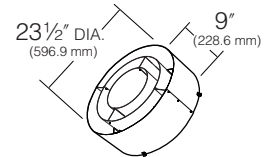
### Spot Ring Louver

Cat. No. (see right)  
 No Option

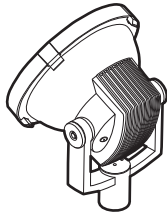
AXF36 Narrow Spot distribution only.

Formed 1/16" thick aluminum. Mounts to predrilled door frame holes. Concentric rings centered on lens frame provide glare control by allowing light beams to pass on spot distributions.

Cat. No.	Finish:	Cat. No.	Finish:
<input type="checkbox"/> AXF3-SRL/BL	Black	<input type="checkbox"/> AXF3-SRL/DB	Dark Bronze
<input type="checkbox"/> AXF3-SRL/LG	Light Gray	<input type="checkbox"/> AXF3-SRL/PS	Platinum Silver
<input type="checkbox"/> AXF3-SRL/SG	Stealth Gray™	<input type="checkbox"/> AXF3-SRL/WH	White



Type:  
 Job:



## Mounting Options

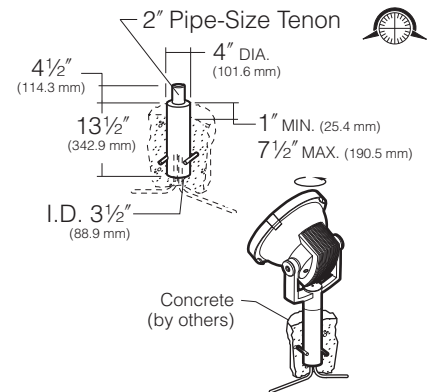
Ordered Separately from Fixture

### Stanchion Mount Tenon

- Cat. No.  SM2/BL  
 No Option

For ground or pedestal mount applications. 4" O.D. cast aluminum stanchion with 2" pipe-size tenon (2 3/8" O.D., 1 3/8" I.D.) for mounting a single fixture or multiple top-mounts. Black finish.

**CAUTION:** Multiple top-mounts must not be used in locations where people can climb on fixtures and mounting arms. To assure a rigid installation, Stanchion must be set in concrete (by others).

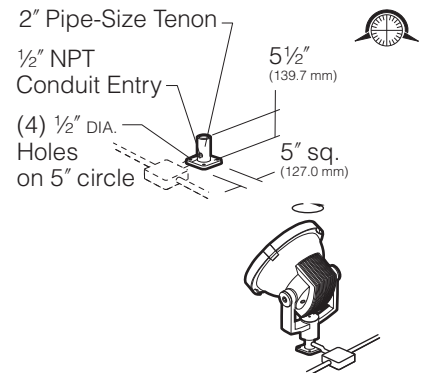


### Surface Mount Tenon

- Cat. No.  SMT/BL  
 No Option

For parapet, deck, or other surface mounting. 2" pipe-size tenon (2 3/8" O.D., 2" I.D.) welded to a heavy-duty cast aluminum plate. Plate has four 1/2" mounting holes, and tenon has one 1/2" NPT for side conduit entry. Black finish.

**NOTE:** May also be used for wall mount grazing if horizontal fixture adjustment is not necessary. For wall mounting and horizontal fixture adjustment use AXF3-WM.



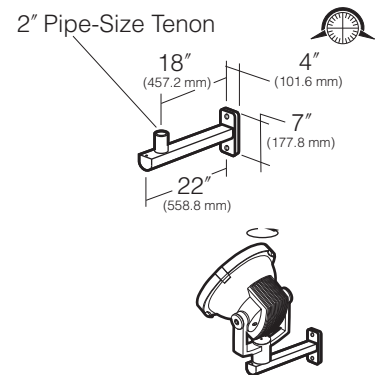
### Wall Mount Tenon

- Cat. No. (See right)  
 No Option

Component EPA: 0.3

For mounting the Axial Flood on walls and other vertical surfaces where horizontal adjustment may be necessary. 2" pipe-size tenon (2 3/8" O.D., 2" I.D.) welded to an extruded aluminum arm with a removable end cap for wiring access. Arm is welded to a cast aluminum plate with two 1/2" mounting holes. May be used with optional WEB wall embedment bracket.

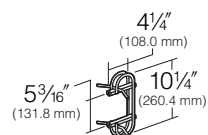
- Cat. No.            Finish:
- AXF3-WM/BL            Black
  - AXF3-WM/DB            Dark Bronze
  - AXF3-WM/LG            Light Gray
  - AXF3-WM/SG            Stealth Gray™
  - AXF3-WM/PS            Platinum Silver
  - AXF3-WM/WH            White



### Wall Embedment Bracket

- Cat. No.  WEB  
 No Option

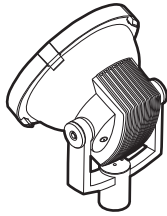
Available for use with AXF3-WM. Provides 3/8"-16 bolt receptacles welded in a galvanized rebar cage for casting into poured-in-place concrete walls. Bolt receptacles receive fixture attachment bolts.



Type:

Job:

Page: 7 of 9



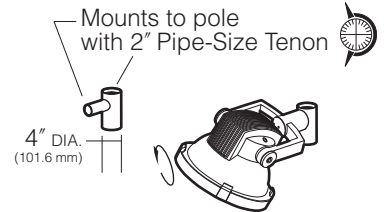
## Mounting Options

Ordered Separately from Fixture

### Side Mount Tenon

- Cat. No.  **SMT-1A**  
 **No Option**

Cast vertical slip fitter with heavy extruded aluminum side mount 2" pipe-size tenon (2<sup>3</sup>/<sub>8</sub>" O.D., 2" I.D.). Mounts to 2" pipe-size tenon.



### Side Pole Mount Tenon for Square Poles

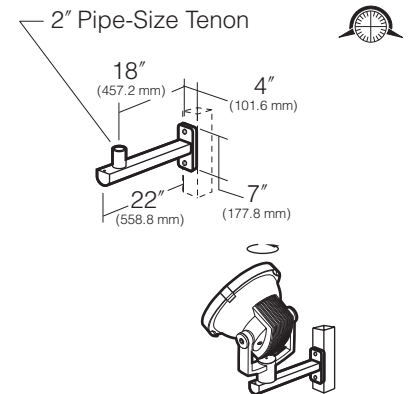
- Cat. No. **(See right)**  
 **No Option**

Component EPA: 0.3

2" pipe-size tenon (2<sup>3</sup>/<sub>8</sub>" O.D., 2" I.D.) welded to an extruded aluminum arm with a removable end cap for wiring access. Arm is welded to a cast aluminum plate with two 1/2" mounting holes. Zinc plated steel backing plate is provided for insertion inside the pole for structural support. Mounts to 4" minimum square pole.

- |   |                 |
|---|-----------------|
| Cat. No.                                    | Finish:         |
| <input type="checkbox"/> <b>AXF3-SPS/BL</b> | Black           |
| <input type="checkbox"/> <b>AXF3-SPS/DB</b> | Dark Bronze     |
| <input type="checkbox"/> <b>AXF3-SPS/LG</b> | Light Gray      |
| <input type="checkbox"/> <b>AXF3-SPS/SG</b> | Stealth Gray™   |
| <input type="checkbox"/> <b>AXF3-SPS/PS</b> | Platinum Silver |
| <input type="checkbox"/> <b>AXF3-SPS/WH</b> | White           |

Example: **AXF3-SPS/BL** for Square Pole



### Side Pole Mount Tenon for Round Poles

- Cat. No. **(see right)**  
 **No Option**

Component EPA: 0.3

2" pipe-size tenon (2<sup>3</sup>/<sub>8</sub>" O.D., 2" I.D.) welded to an extruded aluminum arm with a removable end cap for wiring access. Arm is welded to a cast aluminum plate with two 1/2" mounting holes. Zinc plated steel backing plate is provided for insertion inside the pole for structural support.

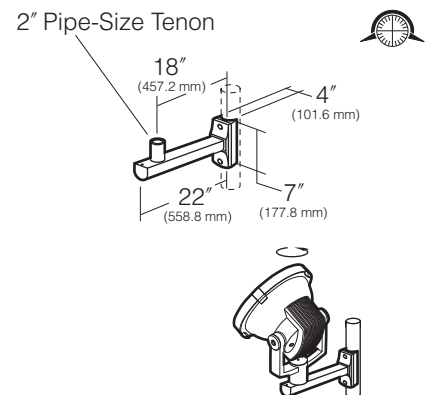
- |   |                 |
|---|-----------------|
| Cat. No.                                      | Finish:         |
| <input type="checkbox"/> <b>AXF3-SPR-X/BL</b> | Black           |
| <input type="checkbox"/> <b>AXF3-SPR-X/DB</b> | Dark Bronze     |
| <input type="checkbox"/> <b>AXF3-SPR-X/LG</b> | Light Gray      |
| <input type="checkbox"/> <b>AXF3-SPR-X/SG</b> | Stealth Gray™   |
| <input type="checkbox"/> <b>AXF3-SPR-X/PS</b> | Platinum Silver |
| <input type="checkbox"/> <b>AXF3-SPR-X/WH</b> | White           |

Side Pole Mount Cat. No. includes pole dia. and finish.

Pole Diameter Selection

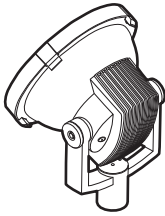
- 3"**  
 **3 1/2"**  
 **4"**  
 **5"**  
 **6"**

Example: **AXF3-SPR-4/BL** for 4" Round Pole



Type:

Job:



## Mounting Options

Ordered Separately from Fixture

### Twin Mount Tenon

Cat. No. (see right)  
 No Option

Component EPA: 1.0

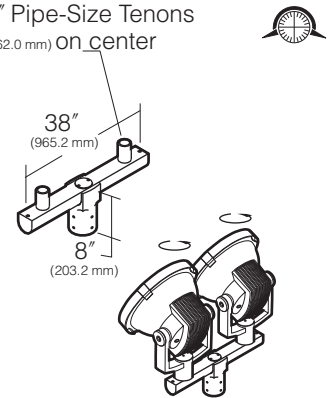
Extruded aluminum support continuously welded to a heavy cast aluminum slipfitter hub that cradles the arm for strength. The slipfitter hub contains four recessed 3/8" stainless steel allen head set point screws for mounting to steel pole with 2" pipe-size steel tenon (2 3/8" O.D. x 4 1/4" Length). Cast aluminum end caps and center cap provide access to field splice connections.

**CAUTION:** Approved for mounting to poles with steel tenons only.

Cat. No. Finish:

- AXF3-MTM-2B/BL Black
- AXF3-MTM-2B/DB Dark Bronze
- AXF3-MTM-2B/LG Light Gray
- AXF3-MTM-2B/SG Stealth Gray™
- AXF3-MTM-2B/PS Platinum Silver
- AXF3-MTM-2B/WH White

(2) 2" Pipe-Size Tenons  
 30" (762.0 mm) on center



### Twin Side Tenon Mount

Cat. No. (see right)  
 No Option

Component EPA: 1.0

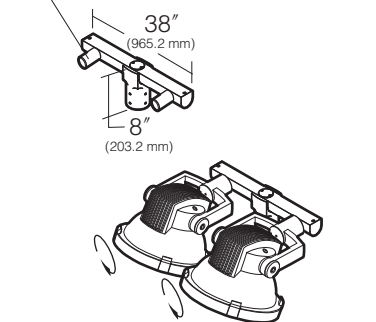
Extruded aluminum support continuously welded to a heavy cast aluminum slipfitter hub that cradles the arm for strength. The slipfitter hub contains four recessed 3/8" stainless steel allen head set point screws for mounting to steel pole with 2" pipe-size steel tenon (2 3/8" O.D. x 4 1/4" Length). Cast aluminum end caps and center cap provide access to field splice connections.

**CAUTION:** Approved for mounting to poles with steel tenons only.

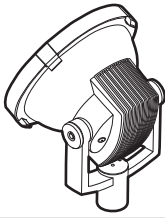
Cat. No. Finish:

- AXF3-STM-2B/BL Black
- AXF3-STM-2B/DB Dark Bronze
- AXF3-STM-2B/LG Light Gray
- AXF3-STM-2B/SG Stealth Gray™
- AXF3-STM-2B/PS Platinum Silver
- AXF3-STM-2B/WH White

(2) 2" Pipe-Size Tenons  
 30" (762.0 mm) on center



Type:  
 Job:



## Mounting Options

Ordered Separately from Fixture

### Triple Mount Tenon

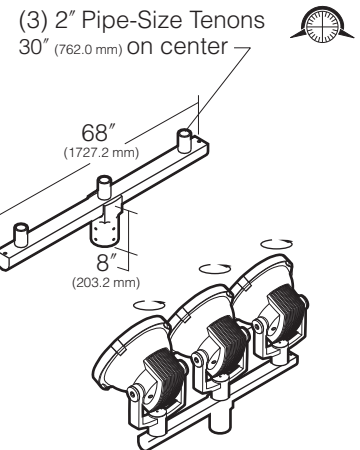
Cat. No. (see right)  
 No Option

Component EPA: 1.5

Extruded aluminum support continuously welded to a heavy cast aluminum slipfitter hub that cradles the arm for strength. The slipfitter hub contains four recessed 3/8" stainless steel allen head set point screws for mounting to steel pole with steel 2" pipe-size tenon (2 3/8" O.D. x 4 1/4" Length). Cast aluminum end caps and center cap provide access to field splice connections.

**CAUTION:** Approved for mounting to poles with steel tenons only.

Cat. No. Finish:  
 AXF3-MTM-3E/BL Black  
 AXF3-MTM-3E/DB Dark Bronze  
 AXF3-MTM-3E/LG Light Gray  
 AXF3-MTM-3E/SG Stealth Gray™  
 AXF3-MTM-3E/PS Platinum Silver  
 AXF3-MTM-3E/WH White



### Triple Side Tenon Mount

Cat. No. (see right)  
 No Option

Component EPA: 1.5

Extruded aluminum support continuously welded to a heavy cast aluminum slipfitter hub that cradles the arm for strength. The slipfitter hub contains four recessed 3/8" stainless steel allen head set point screws for mounting to steel pole with steel 2" pipe-size tenon (2 3/8" O.D. x 4 1/4" Length). Cast aluminum end caps and center cap provide access to field splice connections.

**CAUTION:** Approved for mounting to poles with steel tenons only.

Cat. No. Finish:  
 AXF3-STM-3E/BL Black  
 AXF3-STM-3E/DB Dark Bronze  
 AXF3-STM-3E/LG Light Gray  
 AXF3-STM-3E/SG Stealth Gray™  
 AXF3-STM-3E/PS Platinum Silver  
 AXF3-STM-3E/WH White

