

Type:
Job:
Fixture Catalog number:

_____/_____/_____
 Fixture Electrical Module Finish

 See page 2

Fixture Options:

 Ordered Separately from Fixture
 See pages 3-5

Approvals:

Date:
Page: 1 of 9

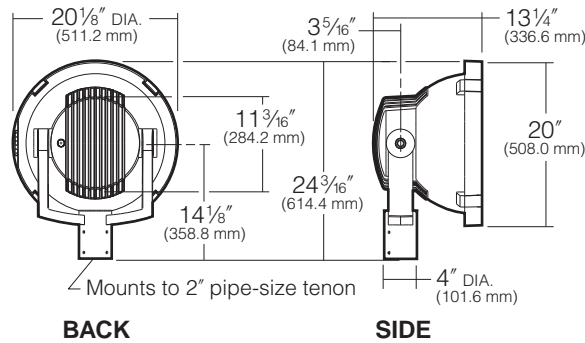
Mounting Options:

 Ordered Separately from Fixture
 See pages 6-9

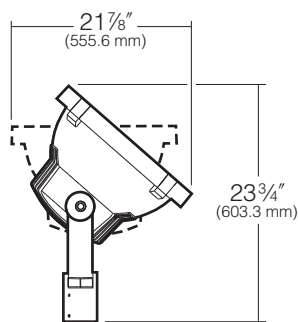
Specifications

Dimensions

AXF20R Models EPA: 1.5 (45° tilt)
 200 to 400 watt 2.5 (Face on)
 Mogul Base Lamps Maximum weight 33 lbs.



Remote Ballast



Housing: Two-piece die-cast, low copper (<0.6% Cu) aluminum alloy. Back of housing is a die-cast ballast chamber with cooling fins to dissipate heat. The back chamber is secured with fasteners and sealed with silicone gasketing around the perimeter. The complete housing fastens to the mounting yoke with stainless steel fasteners.

Door Frame: One-piece die-cast, low copper (<0.6% Cu) aluminum alloy with one stainless steel hinge to hold the frame during servicing. Four heavy duty die-cast aluminum latches secure the frame to the housing. Sealing is provided by a one-piece extruded and vulcanized silicone gasket between the glass lens and the housing flange. Lens is clear flat 3/16" thick tempered glass secured to lens frame with retainer clips.

Yoke: Heavy, low copper (<0.6% Cu) aluminum alloy. Mounts to 2" (2 3/8" O.D.) tenon and provides routing and access of fixture and field wiring. Capped with aluminum cover.

Reflector Module: Specular Alzak® aluminum optical segments rigidly mounted to a heavy flange, attaches to the housing by stainless steel fasteners that allow the reflector to rotate 360°. A socket adjustment bracket is accessible through back of housing to fine tune the socket position and alter the light output. Sockets are porcelain mogul base rated 4KV and mounted to an adjustable bracket system held independent from the reflector module.

Note: No exposed cable/wiring between ballast and optical assembly or between ballast and incoming power.

Finish: Super TGIC thermoset polyester powder coat paint, 2.5 mil nominal thickness, applied over a titanated zirconium conversion coating; 2500 hour salt spray test endurance rating. Standard colors are Black, Dark Bronze, Light Gray, Stealth Gray™, Platinum Silver or White. Custom colors are available.

CAUTION: Fixtures must be grounded in accordance with national, state, and/or local electrical codes. Failure to do so may result in serious personal injury.

Listings and Ratings			
UL cUL 1598 ¹	CE	IP66 Rated	25C Ambient

¹Suitable for wet locations.
 KIM LIGHTING RESERVES THE RIGHT TO CHANGE SPECIFICATIONS WITHOUT NOTICE.



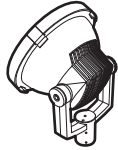
U.S. Patent Pending




Type:

Job:

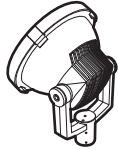
Page: 2 of 9



Standard Features

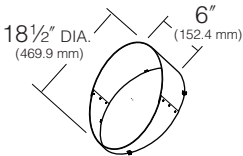

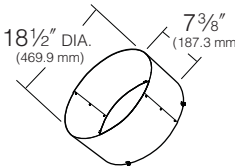
<p>Fixture Cat. No. designates AXF20R fixture and beam pattern.</p> <p>Single fixture EPA: 1.5 (45° tilt) 2.6 (Face on)</p>	<div style="text-align: center; margin-bottom: 10px;">  </div> <p>Light Distribution: Wide Flood Vertical Flood Medium Flood Narrow Flood Narrow Spot Wide Spot/Grazer</p> <p>Cat. No.: <input type="checkbox"/> AXF21R <input type="checkbox"/> AXF22R <input type="checkbox"/> AXF23R <input type="checkbox"/> AXF24R <input type="checkbox"/> AXF26R <input type="checkbox"/> AXF27R</p>																																																																					
<p>Electrical Module:</p> <p>HPS = High Pressure Sodium</p> <p>PMH = Pulse Start Metal Halide</p> <p>Lamp Lamp Line Watts Type Volts 250 PMH 277</p>	<p>Cat. Nos. for Electrical Modes available:</p> <table style="width: 100%; border-collapse: collapse;"> <tr> <td></td> <td style="text-align: center;">High Pressure Sodium</td> <td></td> <td style="text-align: center;">Pulse Start Metal Halide¹</td> </tr> <tr> <td></td> <td><input type="checkbox"/> 250HPS120</td> <td><input type="checkbox"/> 400HPS120</td> <td><input type="checkbox"/> 200PMH120</td> </tr> <tr> <td></td> <td><input type="checkbox"/> 250HPS208</td> <td><input type="checkbox"/> 400HPS208</td> <td><input type="checkbox"/> 250PMH208</td> </tr> <tr> <td></td> <td><input type="checkbox"/> 250HPS240</td> <td><input type="checkbox"/> 400HPS240</td> <td><input type="checkbox"/> 250PMH240</td> </tr> <tr> <td></td> <td><input type="checkbox"/> 250HPS277</td> <td><input type="checkbox"/> 400HPS277</td> <td><input type="checkbox"/> 250PMH277</td> </tr> <tr> <td></td> <td><input type="checkbox"/> 250HPS347</td> <td><input type="checkbox"/> 400HPS347</td> <td><input type="checkbox"/> 250PMH347</td> </tr> <tr> <td></td> <td><input type="checkbox"/> 250HPS480</td> <td><input type="checkbox"/> 400HPS480</td> <td><input type="checkbox"/> 250PMH480</td> </tr> </table> <table border="1" style="width: 100%; border-collapse: collapse; margin-top: 5px;"> <tr> <td style="width: 25%;">Lamp</td> <td>E18 Clear</td> <td>E18 Clear</td> <td>ED28 / T15 Clear</td> <td>BT28 Clear</td> </tr> <tr> <td>Socket</td> <td>Mogul Base</td> <td>Mogul Base</td> <td>Mogul Base</td> <td>Mogul Base</td> </tr> <tr> <td>ANSI Ballast</td> <td>S50</td> <td>S51</td> <td>M136</td> <td>M138, M153</td> </tr> </table> <table style="width: 100%; border-collapse: collapse;"> <tr> <td></td> <td style="text-align: center;">Pulse Start Metal Halide¹</td> </tr> <tr> <td><input type="checkbox"/> 320PMH120</td> <td><input type="checkbox"/> 350PMH120</td> </tr> <tr> <td><input type="checkbox"/> 320PMH208</td> <td><input type="checkbox"/> 350PMH208</td> </tr> <tr> <td><input type="checkbox"/> 320PMH240</td> <td><input type="checkbox"/> 350PMH240</td> </tr> <tr> <td><input type="checkbox"/> 320PMH277</td> <td><input type="checkbox"/> 350PMH277</td> </tr> <tr> <td><input type="checkbox"/> 320PMH347</td> <td><input type="checkbox"/> 350PMH347</td> </tr> <tr> <td><input type="checkbox"/> 320PMH480</td> <td><input type="checkbox"/> 350PMH480</td> </tr> </table> <table border="1" style="width: 100%; border-collapse: collapse; margin-top: 5px;"> <tr> <td style="width: 25%;">Lamp</td> <td>BT28 Clear</td> <td>BT28 Clear</td> <td>BT28 Clear</td> </tr> <tr> <td>Socket</td> <td>Mogul Base</td> <td>Mogul Base</td> <td>Mogul Base</td> </tr> <tr> <td>ANSI Ballast</td> <td>M132, M154, M170</td> <td>M131, M171</td> <td>M135, M155, M172</td> </tr> </table> <p>¹Due to the adjustability and orientation of the lamp in the Axial Floodlight, pre-planning is required prior to selecting this Luminaire. The final socket position must be considered in order to select the correct lamp. Pulse Start Metal Halide lamps have specific base configurations that must be considered.</p> <p>NOTE: Due to the Energy Independence and Security Act (EISA) of 2007, Kim Lighting can no longer supply probe start metal halide ballasts with its luminaires, effective January 1, 2009. Contact Kim Lighting for availability of replacement ballasts for warranty service claims. (Visit www.aboutlightingcontrols.org or the Library of Congress website for more details).</p>		High Pressure Sodium		Pulse Start Metal Halide ¹		<input type="checkbox"/> 250HPS120	<input type="checkbox"/> 400HPS120	<input type="checkbox"/> 200PMH120		<input type="checkbox"/> 250HPS208	<input type="checkbox"/> 400HPS208	<input type="checkbox"/> 250PMH208		<input type="checkbox"/> 250HPS240	<input type="checkbox"/> 400HPS240	<input type="checkbox"/> 250PMH240		<input type="checkbox"/> 250HPS277	<input type="checkbox"/> 400HPS277	<input type="checkbox"/> 250PMH277		<input type="checkbox"/> 250HPS347	<input type="checkbox"/> 400HPS347	<input type="checkbox"/> 250PMH347		<input type="checkbox"/> 250HPS480	<input type="checkbox"/> 400HPS480	<input type="checkbox"/> 250PMH480	Lamp	E18 Clear	E18 Clear	ED28 / T15 Clear	BT28 Clear	Socket	Mogul Base	Mogul Base	Mogul Base	Mogul Base	ANSI Ballast	S50	S51	M136	M138, M153		Pulse Start Metal Halide ¹	<input type="checkbox"/> 320PMH120	<input type="checkbox"/> 350PMH120	<input type="checkbox"/> 320PMH208	<input type="checkbox"/> 350PMH208	<input type="checkbox"/> 320PMH240	<input type="checkbox"/> 350PMH240	<input type="checkbox"/> 320PMH277	<input type="checkbox"/> 350PMH277	<input type="checkbox"/> 320PMH347	<input type="checkbox"/> 350PMH347	<input type="checkbox"/> 320PMH480	<input type="checkbox"/> 350PMH480	Lamp	BT28 Clear	BT28 Clear	BT28 Clear	Socket	Mogul Base	Mogul Base	Mogul Base	ANSI Ballast	M132, M154, M170	M131, M171	M135, M155, M172
	High Pressure Sodium		Pulse Start Metal Halide ¹																																																																			
	<input type="checkbox"/> 250HPS120	<input type="checkbox"/> 400HPS120	<input type="checkbox"/> 200PMH120																																																																			
	<input type="checkbox"/> 250HPS208	<input type="checkbox"/> 400HPS208	<input type="checkbox"/> 250PMH208																																																																			
	<input type="checkbox"/> 250HPS240	<input type="checkbox"/> 400HPS240	<input type="checkbox"/> 250PMH240																																																																			
	<input type="checkbox"/> 250HPS277	<input type="checkbox"/> 400HPS277	<input type="checkbox"/> 250PMH277																																																																			
	<input type="checkbox"/> 250HPS347	<input type="checkbox"/> 400HPS347	<input type="checkbox"/> 250PMH347																																																																			
	<input type="checkbox"/> 250HPS480	<input type="checkbox"/> 400HPS480	<input type="checkbox"/> 250PMH480																																																																			
Lamp	E18 Clear	E18 Clear	ED28 / T15 Clear	BT28 Clear																																																																		
Socket	Mogul Base	Mogul Base	Mogul Base	Mogul Base																																																																		
ANSI Ballast	S50	S51	M136	M138, M153																																																																		
	Pulse Start Metal Halide ¹																																																																					
<input type="checkbox"/> 320PMH120	<input type="checkbox"/> 350PMH120																																																																					
<input type="checkbox"/> 320PMH208	<input type="checkbox"/> 350PMH208																																																																					
<input type="checkbox"/> 320PMH240	<input type="checkbox"/> 350PMH240																																																																					
<input type="checkbox"/> 320PMH277	<input type="checkbox"/> 350PMH277																																																																					
<input type="checkbox"/> 320PMH347	<input type="checkbox"/> 350PMH347																																																																					
<input type="checkbox"/> 320PMH480	<input type="checkbox"/> 350PMH480																																																																					
Lamp	BT28 Clear	BT28 Clear	BT28 Clear																																																																			
Socket	Mogul Base	Mogul Base	Mogul Base																																																																			
ANSI Ballast	M132, M154, M170	M131, M171	M135, M155, M172																																																																			
<p>Finish Super TGIC powder coat paint over a titanated zirconium conversion coating.</p>	<p>Color: Black Dark Bronze Light Gray Stealth Gray™ Platinum Silver White Custom Color¹</p> <p>Cat. No.: <input type="checkbox"/> BL <input type="checkbox"/> DB <input type="checkbox"/> LG <input type="checkbox"/> SG <input type="checkbox"/> PS <input type="checkbox"/> WH <input type="checkbox"/> CC</p> <p>¹Custom colors subject to additional charges, minimum quantities and extended lead times. Consult representative. Custom color description: _____</p>																																																																					

Type:
 Job:

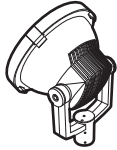


Fixture Options

Ordered Separately from Fixture

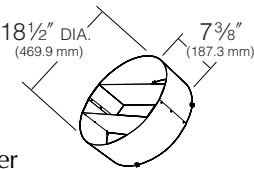
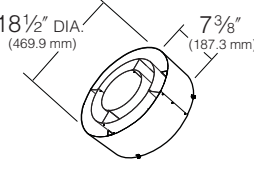

<p>Tamper-Resistant Latch Cat. No. <input type="checkbox"/> TL <input type="checkbox"/> No Option</p>	<p>Standard die-cast latch is provided with captive 10-32 stainless steel flat socket-head screw to prevent unauthorized opening. Required only for vandal protection in locations where fixtures can be reached by unauthorized persons.</p>																
<p>Short Fixed Hood Cat. No. (see right) <input type="checkbox"/> No Option</p>	<p>All distributions.</p> <p>Formed 1/16" thick aluminum. Mounts to predrilled door frame holes. Can be mounted along the top or bottom of the fixture to shield the lamp and lens from view. Provides moderate shielding for ground mounted fixtures next to walkways, driveways, or roadways. Functional with all reflector types but more effective with medium flood or spot distributions.</p> <div style="display: flex; justify-content: space-between;"> <table border="0" data-bbox="492 951 868 1073"> <tr> <td>Cat. No.</td> <td>Finish:</td> <td>Cat. No.</td> <td>Finish:</td> </tr> <tr> <td><input type="checkbox"/> AXF2-SFH/BL</td> <td>Black</td> <td><input type="checkbox"/> AXF2-SFH/DB</td> <td>Dark Bronze</td> </tr> <tr> <td><input type="checkbox"/> AXF2-SFH/LG</td> <td>Light Gray</td> <td><input type="checkbox"/> AXF2-SFH/PS</td> <td>Platinum Silver</td> </tr> <tr> <td><input type="checkbox"/> AXF2-SFH/SG</td> <td>Stealth Gray™</td> <td><input type="checkbox"/> AXF2-SFH/WH</td> <td>White</td> </tr> </table>  </div>	Cat. No.	Finish:	Cat. No.	Finish:	<input type="checkbox"/> AXF2-SFH/BL	Black	<input type="checkbox"/> AXF2-SFH/DB	Dark Bronze	<input type="checkbox"/> AXF2-SFH/LG	Light Gray	<input type="checkbox"/> AXF2-SFH/PS	Platinum Silver	<input type="checkbox"/> AXF2-SFH/SG	Stealth Gray™	<input type="checkbox"/> AXF2-SFH/WH	White
Cat. No.	Finish:	Cat. No.	Finish:														
<input type="checkbox"/> AXF2-SFH/BL	Black	<input type="checkbox"/> AXF2-SFH/DB	Dark Bronze														
<input type="checkbox"/> AXF2-SFH/LG	Light Gray	<input type="checkbox"/> AXF2-SFH/PS	Platinum Silver														
<input type="checkbox"/> AXF2-SFH/SG	Stealth Gray™	<input type="checkbox"/> AXF2-SFH/WH	White														
<p>Long Fixed Hood Cat. No. (see right) <input type="checkbox"/> No Option</p>	<p>AXF22R Vertical Flood, AXF24R Narrow Flood and AXF26R Narrow Spot Distributions only.</p> <p>Formed 1/16" thick aluminum. Mounts to predrilled door frame holes. Can be mounted along the top or bottom of the fixture to shield the lamp and lens from view. Provides extra shielding for ground mounted fixtures next to walkways, driveways, or roadways. Primarily used with narrow flood reflectors but will also work with spot distributions.</p> <div style="display: flex; justify-content: space-between;"> <table border="0" data-bbox="492 1362 868 1484"> <tr> <td>Cat. No.</td> <td>Finish:</td> <td>Cat. No.</td> <td>Finish:</td> </tr> <tr> <td><input type="checkbox"/> AXF2-LFH/BL</td> <td>Black</td> <td><input type="checkbox"/> AXF2-LFH/DB</td> <td>Dark Bronze</td> </tr> <tr> <td><input type="checkbox"/> AXF2-LFH/LG</td> <td>Light Gray</td> <td><input type="checkbox"/> AXF2-LFH/PS</td> <td>Platinum Silver</td> </tr> <tr> <td><input type="checkbox"/> AXF2-LFH/SG</td> <td>Stealth Gray™</td> <td><input type="checkbox"/> AXF2-LFH/WH</td> <td>White</td> </tr> </table>  </div>	Cat. No.	Finish:	Cat. No.	Finish:	<input type="checkbox"/> AXF2-LFH/BL	Black	<input type="checkbox"/> AXF2-LFH/DB	Dark Bronze	<input type="checkbox"/> AXF2-LFH/LG	Light Gray	<input type="checkbox"/> AXF2-LFH/PS	Platinum Silver	<input type="checkbox"/> AXF2-LFH/SG	Stealth Gray™	<input type="checkbox"/> AXF2-LFH/WH	White
Cat. No.	Finish:	Cat. No.	Finish:														
<input type="checkbox"/> AXF2-LFH/BL	Black	<input type="checkbox"/> AXF2-LFH/DB	Dark Bronze														
<input type="checkbox"/> AXF2-LFH/LG	Light Gray	<input type="checkbox"/> AXF2-LFH/PS	Platinum Silver														
<input type="checkbox"/> AXF2-LFH/SG	Stealth Gray™	<input type="checkbox"/> AXF2-LFH/WH	White														
<p>Round Full Shield Cat. No. (see right) <input type="checkbox"/> No Option</p>	<p>AXF23R Medium Flood, AXF24R Narrow Flood and AXF26R Narrow Spot distributions only.</p> <p>Formed 1/16" thick aluminum. Mounts to predrilled lens and provides complete shielding around the perimeter of lens opening. Primarily used with medium flood and spot distributions.</p> <div style="display: flex; justify-content: space-between;"> <table border="0" data-bbox="492 1694 868 1816"> <tr> <td>Cat. No.</td> <td>Finish:</td> <td>Cat. No.</td> <td>Finish:</td> </tr> <tr> <td><input type="checkbox"/> AXF2-RFS/BL</td> <td>Black</td> <td><input type="checkbox"/> AXF2-RFS/DB</td> <td>Dark Bronze</td> </tr> <tr> <td><input type="checkbox"/> AXF2-RFS/LG</td> <td>Light Gray</td> <td><input type="checkbox"/> AXF2-RFS/PS</td> <td>Platinum Silver</td> </tr> <tr> <td><input type="checkbox"/> AXF2-RFS/SG</td> <td>Stealth Gray™</td> <td><input type="checkbox"/> AXF2-RFS/WH</td> <td>White</td> </tr> </table>  </div> <p>CAUTION: Do not use in locations where leaves and debris can collect inside, as this will create a fire hazard and may cause the fixture to overheat.</p>	Cat. No.	Finish:	Cat. No.	Finish:	<input type="checkbox"/> AXF2-RFS/BL	Black	<input type="checkbox"/> AXF2-RFS/DB	Dark Bronze	<input type="checkbox"/> AXF2-RFS/LG	Light Gray	<input type="checkbox"/> AXF2-RFS/PS	Platinum Silver	<input type="checkbox"/> AXF2-RFS/SG	Stealth Gray™	<input type="checkbox"/> AXF2-RFS/WH	White
Cat. No.	Finish:	Cat. No.	Finish:														
<input type="checkbox"/> AXF2-RFS/BL	Black	<input type="checkbox"/> AXF2-RFS/DB	Dark Bronze														
<input type="checkbox"/> AXF2-RFS/LG	Light Gray	<input type="checkbox"/> AXF2-RFS/PS	Platinum Silver														
<input type="checkbox"/> AXF2-RFS/SG	Stealth Gray™	<input type="checkbox"/> AXF2-RFS/WH	White														

Type:
 Job:

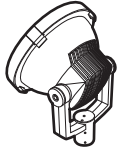


Fixture Options

Ordered Separately from Fixture

<p>Horizontal Louver Cat. No. (see right) <input type="checkbox"/> No Option</p>	<p>AXF27R Wide Spot/Grazer distribution only. Formed 1/16" thick aluminum. Mounts to predrilled door frame holes.</p> <table border="0"> <tr> <td>Cat. No.</td> <td>Finish:</td> <td>Cat. No.</td> <td>Finish:</td> </tr> <tr> <td><input type="checkbox"/> AXF2-HL/BL</td> <td>Black</td> <td><input type="checkbox"/> AXF2-HL/DB</td> <td>Dark Bronze</td> </tr> <tr> <td><input type="checkbox"/> AXF2-HL/LG</td> <td>Light Gray</td> <td><input type="checkbox"/> AXF2-HL/PS</td> <td>Platinum Silver</td> </tr> <tr> <td><input type="checkbox"/> AXF2-HL/SG</td> <td>Stealth Gray™</td> <td><input type="checkbox"/> AXF2-HL/WH</td> <td>White</td> </tr> </table> <p>CAUTION: Do not use in locations where leaves and debris can collect inside, as this will create a fire hazard and may cause the fixture to overheat.</p>	Cat. No.	Finish:	Cat. No.	Finish:	<input type="checkbox"/> AXF2-HL/BL	Black	<input type="checkbox"/> AXF2-HL/DB	Dark Bronze	<input type="checkbox"/> AXF2-HL/LG	Light Gray	<input type="checkbox"/> AXF2-HL/PS	Platinum Silver	<input type="checkbox"/> AXF2-HL/SG	Stealth Gray™	<input type="checkbox"/> AXF2-HL/WH	White	
Cat. No.	Finish:	Cat. No.	Finish:															
<input type="checkbox"/> AXF2-HL/BL	Black	<input type="checkbox"/> AXF2-HL/DB	Dark Bronze															
<input type="checkbox"/> AXF2-HL/LG	Light Gray	<input type="checkbox"/> AXF2-HL/PS	Platinum Silver															
<input type="checkbox"/> AXF2-HL/SG	Stealth Gray™	<input type="checkbox"/> AXF2-HL/WH	White															
<p>Spot Ring Louver Cat. No. (see right) <input type="checkbox"/> No Option</p>	<p>AXF26R Narrow Spot distribution only. Formed 1/16" thick aluminum. Mounts to predrilled door frame holes. Concentric rings centered on lens frame provide glare control by allowing light beams to pass on spot distributions.</p> <table border="0"> <tr> <td>Cat. No.</td> <td>Finish:</td> <td>Cat. No.</td> <td>Finish:</td> </tr> <tr> <td><input type="checkbox"/> AXF2-SRL/BL</td> <td>Black</td> <td><input type="checkbox"/> AXF2-SRL/DB</td> <td>Dark Bronze</td> </tr> <tr> <td><input type="checkbox"/> AXF2-SRL/LG</td> <td>Light Gray</td> <td><input type="checkbox"/> AXF2-SRL/PS</td> <td>Platinum Silver</td> </tr> <tr> <td><input type="checkbox"/> AXF2-SRL/SG</td> <td>Stealth Gray™</td> <td><input type="checkbox"/> AXF2-SRL/WH</td> <td>White</td> </tr> </table> <p>CAUTION: Do not use in locations where leaves and debris can collect inside, as this will create a fire hazard and may cause the fixture to overheat.</p>	Cat. No.	Finish:	Cat. No.	Finish:	<input type="checkbox"/> AXF2-SRL/BL	Black	<input type="checkbox"/> AXF2-SRL/DB	Dark Bronze	<input type="checkbox"/> AXF2-SRL/LG	Light Gray	<input type="checkbox"/> AXF2-SRL/PS	Platinum Silver	<input type="checkbox"/> AXF2-SRL/SG	Stealth Gray™	<input type="checkbox"/> AXF2-SRL/WH	White	
Cat. No.	Finish:	Cat. No.	Finish:															
<input type="checkbox"/> AXF2-SRL/BL	Black	<input type="checkbox"/> AXF2-SRL/DB	Dark Bronze															
<input type="checkbox"/> AXF2-SRL/LG	Light Gray	<input type="checkbox"/> AXF2-SRL/PS	Platinum Silver															
<input type="checkbox"/> AXF2-SRL/SG	Stealth Gray™	<input type="checkbox"/> AXF2-SRL/WH	White															
<p>Lexan® Lens Shield Cat. No. <input type="checkbox"/> AXF2-SLX <input type="checkbox"/> No Option</p>	<p>3/16" thick, clear convex, vacuum formed, advanced polymer (Lexan®) lens shield with gasket. Mounts over lens to predrilled door frame holes and may be used with SFH Short Fixed Hood, LFH Long Fixed Hood or RFS Round Full Shield Option. CAUTION: Use only when vandalism is anticipated.</p>																	

Type:
 Job:



Fixture Options

Ordered Separately from Fixture

Round Color Filter Assembly

Cat. No. (See right)
 No Option

Heavy wall aluminum brackets with vertical channels that hold the color filter 2" away from the fixture lens. Quick change-out of the color filter is possible by the removal of two screws. Support mounts to predrilled holes in fixture door frame. May be used with **AXF2-SFH** Short Fixed Hood, **AXF2-LFH** Long Fixed Hood, and **AXF2-RFS** Round Full Shield option.



Cat. No.	Finish:
<input type="checkbox"/> AXF2-CFA-XX/BL	Black
<input type="checkbox"/> AXF2-CFA-XX/DB	Dark Bronze
<input type="checkbox"/> AXF2-CFA-XX/LG	Light Gray
<input type="checkbox"/> AXF2-CFA-XX/SG	Stealth Gray™
<input type="checkbox"/> AXF2-CFA-XX/PS	Platinum Silver
<input type="checkbox"/> AXF2-CFA-XX/WH	White

Round Color Filter Assembly Cat. No. includes round color filter and bracket finish. Specify filter, substituting **XX** for color filter number (See below) and add finish to match housing.

Ex.: **AXF2-CFA-15/BL**

Color Filter Selection (See color samples on page 15 of Axial Flood catalog.)

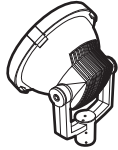
Color ¹	XX Filter # ²	Description
Deep Straw	<input type="checkbox"/> 15	Warms metal halide color. Deepens high pressure sodium color to yellow/orange.
Rose Tint	<input type="checkbox"/> 05	Warms metal halide color. Deepens high pressure sodium color to pink/orange.
Medium Red	<input type="checkbox"/> 27	Deep color accent. Best used with high pressure sodium lamps. NOTE: Very low output with metal halide lamps.
Brilliant Blue	<input type="checkbox"/> 69	Deep color accent. Best used with metal halide lamps. NOTE: Not recommended for high pressure sodium lamps.
Primary Green	<input type="checkbox"/> 91	Deep color accent. Blue shift with metal halide lamps. Yellow shift with high pressure sodium lamps.

NOTE: Color samples shown for reference only and will not represent actual illumination color rendered by HID lamps.

¹Exact color output is highly dependent on lamp used, (i.e. HPS vs. PMH, specific lamp color temperature and other factors).

²**XX** Color filter number corresponds with Roscolux color filter numbers.

Type:
Job:



Mounting Options

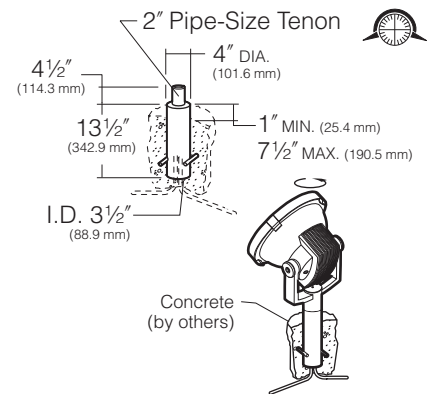
Ordered Separately from Fixture

Stanchion Mount Tenon

- Cat. No. SM2/BL
 No Option

For ground or pedestal mount applications. 4" O.D. cast aluminum stanchion with 2" pipe-size tenon (2 3/8" O.D., 1 3/8" I.D.) for mounting a single fixture or multiple top-mounts. Black finish.

CAUTION: Multiple top-mounts must not be used in locations where people can climb on fixtures and mounting arms. To assure a rigid installation, Stanchion must be set in concrete (by others).

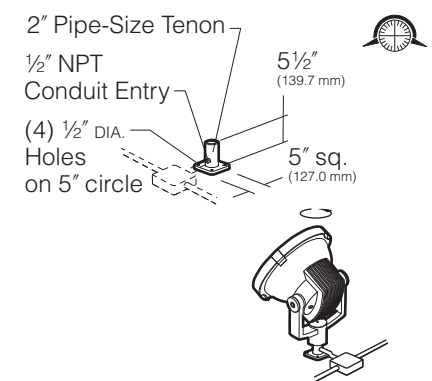


Surface Mount Tenon

- Cat. No. SMT/BL
 No Option

For parapet, deck, or other surface mounting. 2" pipe-size tenon (2 3/8" O.D., 2" I.D.) welded to a heavy-duty cast aluminum plate. Plate has four 1/2" mounting holes, and tenon has one 1/2" NPT for side conduit entry. Black finish.

NOTE: May also be used for wall mount grazing if horizontal fixture adjustment is not necessary. For wall mounting and horizontal fixture adjustment use AXF2-WM.



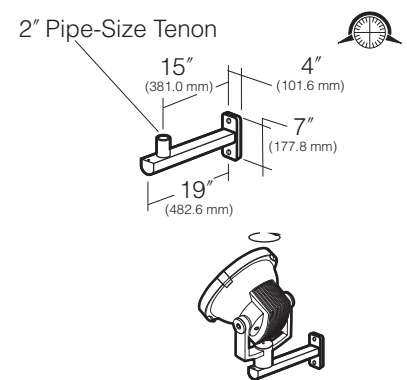
Wall Mount Tenon

- Cat. No. (See right)
 No Option

Component EPA: 0.3

For mounting the Axial Flood on walls and other vertical surfaces where horizontal adjustment may be necessary. 2" pipe-size tenon (2 3/8" O.D., 2" I.D.) welded to an extruded aluminum arm with a removable end cap for wiring access. Arm is welded to a cast aluminum plate with two 1/2" mounting holes. May be used with optional WEB wall embedment bracket.

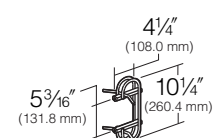
- Cat. No. Finish:
- | | |
|-------------------------------------|-----------------|
| <input type="checkbox"/> AXF2-WM/BL | Black |
| <input type="checkbox"/> AXF2-WM/DB | Dark Bronze |
| <input type="checkbox"/> AXF2-WM/LG | Light Gray |
| <input type="checkbox"/> AXF2-WM/SG | Stealth Gray™ |
| <input type="checkbox"/> AXF2-WM/PS | Platinum Silver |
| <input type="checkbox"/> AXF2-WM/WH | White |



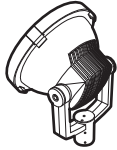
Wall Embedment Bracket

- Cat. No. WEB
 No Option

Available for use with AXF2-WM. Provides 3/8-16 bolt receptacles welded in a galvanized rebar cage for casting into poured-in-place concrete walls. Bolt receptacles receive fixture attachment bolts.



Type:
 Job:



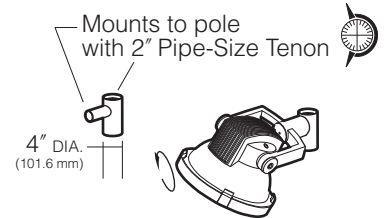
Mounting Options

Ordered Separately from Fixture

Side Mount Tenon

- Cat. No. **SMT-1A**
 No Option

Cast vertical slip fitter with heavy extruded aluminum side mount 2" pipe-size tenon (2³/₈" O.D., 2" I.D.). Mounts to 2" pipe-size tenon.



Side Pole Mount Tenon for Square Poles

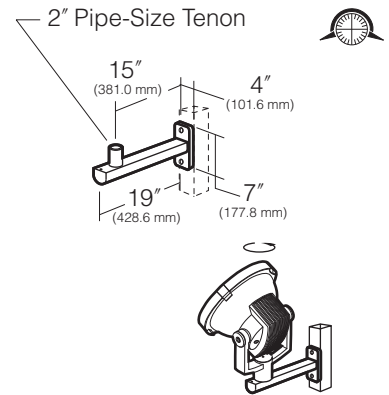
- Cat. No. **(See right)**
 No Option

Component EPA: 0.3

2" pipe-size tenon (2³/₈" O.D., 2" I.D.) welded to an extruded aluminum arm with a removable end cap for wiring access. Arm is welded to a cast aluminum plate with two 1/2" mounting holes. Zinc plated steel backing plate is provided for insertion inside the pole for structural support. Mounts to 4" minimum square pole.

- | | |
|---|-----------------|
| Cat. No. | Finish: |
| <input type="checkbox"/> AXF2-SPS/BL | Black |
| <input type="checkbox"/> AXF2-SPS/DB | Dark Bronze |
| <input type="checkbox"/> AXF2-SPS/LG | Light Gray |
| <input type="checkbox"/> AXF2-SPS/SG | Stealth Gray™ |
| <input type="checkbox"/> AXF2-SPS/PS | Platinum Silver |
| <input type="checkbox"/> AXF2-SPS/WH | White |

Example: **AXF2-SPS/BL** for Square Pole



Side Pole Mount Tenon for Round Poles

- Cat. No. **(see right)**
 No Option

Component EPA: 0.3

2" pipe-size tenon (2³/₈" O.D., 2" I.D.) welded to an extruded aluminum arm with a removable end cap for wiring access. Arm is welded to a cast aluminum plate with two 1/2" mounting holes. Zinc plated steel backing plate is provided for insertion inside the pole for structural support.

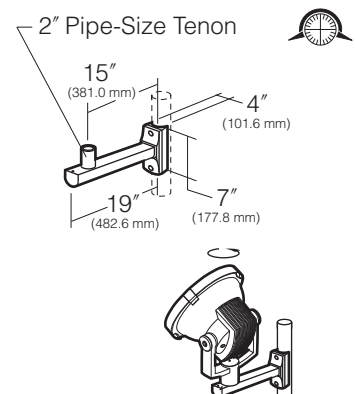
- | | |
|---|-----------------|
| Cat. No. | Finish: |
| <input type="checkbox"/> AXF2-SPR-X/BL | Black |
| <input type="checkbox"/> AXF2-SPR-X/DB | Dark Bronze |
| <input type="checkbox"/> AXF2-SPR-X/LG | Light Gray |
| <input type="checkbox"/> AXF2-SPR-X/SG | Stealth Gray™ |
| <input type="checkbox"/> AXF2-SPR-X/PS | Platinum Silver |
| <input type="checkbox"/> AXF2-SPR-X/WH | White |

Side Pole Mount Cat. No. includes pole dia. and finish.

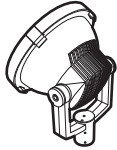
Pole Diameter Selection

- 3"**
 3¹/₂"
 4"
 5"
 6"

Example: **AXF2-SPR-4/BL** for 4" Round Pole



Type:
 Job:



Mounting Options

Ordered Separately from Fixture

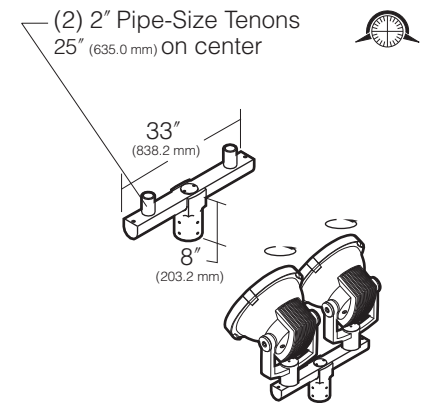
Twin Mount Tenon
 Cat. No. (see right)
 No Option

Component EPA: 1.0

Extruded aluminum support continuously welded to a heavy cast aluminum slipfitter hub that cradles the arm for strength. The slipfitter hub contains four recessed 3/8" stainless steel allen head set point screws for mounting to steel pole with 2" pipe-size steel tenon (2 3/8" O.D. x 4 1/4" Length). Cast aluminum end caps and center cap provide access to field splice connections.

CAUTION: Approved for mounting to poles with steel tenons only.

- | | |
|---|-----------------|
| Cat. No. | Finish: |
| <input type="checkbox"/> AXF2-MTM-2B/BL | Black |
| <input type="checkbox"/> AXF2-MTM-2B/DB | Dark Bronze |
| <input type="checkbox"/> AXF2-MTM-2B/LG | Light Gray |
| <input type="checkbox"/> AXF2-MTM-2B/SG | Stealth Gray™ |
| <input type="checkbox"/> AXF2-MTM-2B/PS | Platinum Silver |
| <input type="checkbox"/> AXF2-MTM-2B/WH | White |



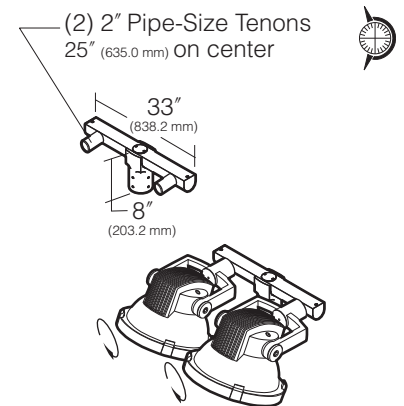
Twin Side Tenon Mount
 Cat. No. (see right)
 No Option

Component EPA: 1.0

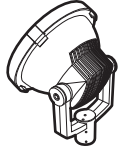
Extruded aluminum support continuously welded to a heavy cast aluminum slipfitter hub that cradles the arm for strength. The slipfitter hub contains four recessed 3/8" stainless steel allen head set point screws for mounting to steel pole with 2" pipe-size steel tenon (2 3/8" O.D. x 4 1/4" Length). Cast aluminum end caps and center cap provide access to field splice connections.

CAUTION: Approved for mounting to poles with steel tenons only.

- | | |
|---|-----------------|
| Cat. No. | Finish: |
| <input type="checkbox"/> AXF2-STM-2B/BL | Black |
| <input type="checkbox"/> AXF2-STM-2B/DB | Dark Bronze |
| <input type="checkbox"/> AXF2-STM-2B/LG | Light Gray |
| <input type="checkbox"/> AXF2-STM-2B/SG | Stealth Gray™ |
| <input type="checkbox"/> AXF2-STM-2B/PS | Platinum Silver |
| <input type="checkbox"/> AXF2-STM-2B/WH | White |



Type:
 Job:



Mounting Options

Ordered Separately from Fixture

Triple Mount Tenon

Cat. No. (see right)
 No Option

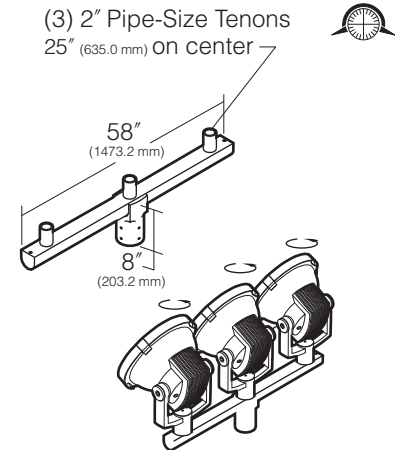
Component EPA: 1.5

Extruded aluminum support continuously welded to a heavy cast aluminum slipfitter hub that cradles the arm for strength. The slipfitter hub contains four recessed 3/8" stainless steel allen head set point screws for mounting to steel pole with steel 2" pipe-size tenon (2 3/8" O.D. x 4 1/4" Length). Cast aluminum end caps and center cap provide access to field splice connections.

CAUTION: Approved for mounting to poles with steel tenons only.

Cat. No. Finish:
 AXF2-MTM-3E/BL Black
 AXF2-MTM-3E/DB Dark Bronze
 AXF2-MTM-3E/LG Light Gray
 AXF2-MTM-3E/SG Stealth Gray™
 AXF2-MTM-3E/PS Platinum Silver
 AXF2-MTM-3E/WH White

(3) 2" Pipe-Size Tenons
 25" (635.0 mm) on center



Triple Side Tenon Mount

Cat. No. (see right)
 No Option

Component EPA: 1.5

Extruded aluminum support continuously welded to a heavy cast aluminum slipfitter hub that cradles the arm for strength. The slipfitter hub contains four recessed 3/8" stainless steel allen head set point screws for mounting to steel pole with steel 2" pipe-size tenon (2 3/8" O.D. x 4 1/4" Length). Cast aluminum end caps and center cap provide access to field splice connections.

CAUTION: Approved for mounting to poles with steel tenons only.

Cat. No. Finish:
 AXF2-STM-3E/BL Black
 AXF2-STM-3E/DB Dark Bronze
 AXF2-STM-3E/LG Light Gray
 AXF2-STM-3E/SG Stealth Gray™
 AXF2-STM-3E/PS Platinum Silver
 AXF2-STM-3E/WH White

(3) 2" Pipe-Size Tenons
 25" (635.0 mm) on center

