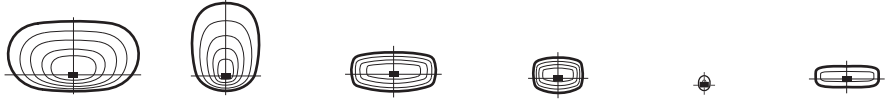


Type:
Job:



Standard Features

<p>Fixture Cat. No. designates AXF20 fixture and beam pattern.</p> <p>Single fixture EPA: 1.5 (45° tilt) 2.6 (Face on)</p>	<div style="text-align: center; margin-bottom: 10px;">  </div> <p>Light Distribution: Wide Flood Vertical Flood Medium Flood Narrow Flood Narrow Spot Wide Spot/Grazer</p> <p>Cat. No.: <input type="checkbox"/> AXF21 <input type="checkbox"/> AXF22 <input type="checkbox"/> AXF23 <input type="checkbox"/> AXF24 <input type="checkbox"/> AXF26 <input type="checkbox"/> AXF27</p>																																																																																								
<p>Electrical Module:</p> <p>HPS = High Pressure Sodium</p> <p>PMH = Pulse Start Metal Halide</p> <table style="width: 100%; border-collapse: collapse; margin-top: 10px;"> <thead> <tr> <th style="text-align: left; border-bottom: 1px solid black;">Lamp</th> <th style="text-align: left; border-bottom: 1px solid black;">Lamp</th> <th style="text-align: left; border-bottom: 1px solid black;">Line</th> <th style="text-align: left; border-bottom: 1px solid black;">Watts</th> <th style="text-align: left; border-bottom: 1px solid black;">Type</th> <th style="text-align: left; border-bottom: 1px solid black;">Volts</th> </tr> </thead> <tbody> <tr> <td></td> <td></td> <td></td> <td></td> <td>250</td> <td>PMH</td> </tr> <tr> <td></td> <td></td> <td></td> <td></td> <td>277</td> <td></td> </tr> </tbody> </table>	Lamp	Lamp	Line	Watts	Type	Volts					250	PMH					277		<p>Cat. Nos. for Electrical Modules available:</p> <table style="width: 100%; border-collapse: collapse; margin-top: 10px;"> <thead> <tr> <th colspan="2" style="text-align: left; border-bottom: 1px solid black;">High Pressure Sodium</th> <th colspan="2" style="text-align: left; border-bottom: 1px solid black;">Pulse Start Metal Halide¹</th> </tr> </thead> <tbody> <tr> <td style="border-right: 1px solid black;"><input type="checkbox"/> 250HPS120</td> <td><input type="checkbox"/> 400HPS120</td> <td style="border-right: 1px solid black;"><input type="checkbox"/> 200PMH120</td> <td><input type="checkbox"/> 250PMH120</td> </tr> <tr> <td style="border-right: 1px solid black;"><input type="checkbox"/> 250HPS208</td> <td><input type="checkbox"/> 400HPS208</td> <td style="border-right: 1px solid black;"><input type="checkbox"/> 200PMH208</td> <td><input type="checkbox"/> 250PMH208</td> </tr> <tr> <td style="border-right: 1px solid black;"><input type="checkbox"/> 250HPS240</td> <td><input type="checkbox"/> 400HPS240</td> <td style="border-right: 1px solid black;"><input type="checkbox"/> 200PMH240</td> <td><input type="checkbox"/> 250PMH240</td> </tr> <tr> <td style="border-right: 1px solid black;"><input type="checkbox"/> 250HPS277</td> <td><input type="checkbox"/> 400HPS277</td> <td style="border-right: 1px solid black;"><input type="checkbox"/> 200PMH277</td> <td><input type="checkbox"/> 250PMH277</td> </tr> <tr> <td style="border-right: 1px solid black;"><input type="checkbox"/> 250HPS347</td> <td><input type="checkbox"/> 400HPS347</td> <td style="border-right: 1px solid black;"><input type="checkbox"/> 200PMH347</td> <td><input type="checkbox"/> 250PMH347</td> </tr> <tr> <td style="border-right: 1px solid black;"><input type="checkbox"/> 250HPS480</td> <td><input type="checkbox"/> 400HPS480</td> <td style="border-right: 1px solid black;"><input type="checkbox"/> 200PMH480</td> <td><input type="checkbox"/> 250PMH480</td> </tr> <tr> <td style="border-right: 1px solid black; border-top: 1px solid black;">Lamp</td> <td style="border-top: 1px solid black;">E18 Clear</td> <td style="border-right: 1px solid black; border-top: 1px solid black;">E18 Clear</td> <td style="border-top: 1px solid black;">E18 Clear</td> </tr> <tr> <td style="border-right: 1px solid black; border-top: 1px solid black;">Socket</td> <td style="border-top: 1px solid black;">Mogul Base</td> <td style="border-right: 1px solid black; border-top: 1px solid black;">Mogul Base</td> <td style="border-top: 1px solid black;">Mogul Base</td> </tr> <tr> <td style="border-right: 1px solid black; border-top: 1px solid black;">ANSI Ballast</td> <td style="border-top: 1px solid black;">S50</td> <td style="border-right: 1px solid black; border-top: 1px solid black;">S51</td> <td style="border-top: 1px solid black;">M136</td> </tr> </tbody> </table> <table style="width: 100%; border-collapse: collapse; margin-top: 10px;"> <thead> <tr> <th colspan="3" style="text-align: left; border-bottom: 1px solid black;">Pulse Start Metal Halide¹</th> </tr> </thead> <tbody> <tr> <td style="border-right: 1px solid black;"><input type="checkbox"/> 320PMH120</td> <td><input type="checkbox"/> 350PMH120</td> <td><input type="checkbox"/> 400PMH120</td> </tr> <tr> <td style="border-right: 1px solid black;"><input type="checkbox"/> 320PMH208</td> <td><input type="checkbox"/> 350PMH208</td> <td><input type="checkbox"/> 400PMH208</td> </tr> <tr> <td style="border-right: 1px solid black;"><input type="checkbox"/> 320PMH240</td> <td><input type="checkbox"/> 350PMH240</td> <td><input type="checkbox"/> 400PMH240</td> </tr> <tr> <td style="border-right: 1px solid black;"><input type="checkbox"/> 320PMH277</td> <td><input type="checkbox"/> 350PMH277</td> <td><input type="checkbox"/> 400PMH277</td> </tr> <tr> <td style="border-right: 1px solid black;"><input type="checkbox"/> 320PMH347</td> <td><input type="checkbox"/> 350PMH347</td> <td><input type="checkbox"/> 400PMH347</td> </tr> <tr> <td style="border-right: 1px solid black;"><input type="checkbox"/> 320PMH480</td> <td><input type="checkbox"/> 350PMH480</td> <td><input type="checkbox"/> 400PMH480</td> </tr> <tr> <td style="border-right: 1px solid black; border-top: 1px solid black;">Lamp</td> <td style="border-top: 1px solid black;">BT28 Clear</td> <td style="border-top: 1px solid black;">BT28 Clear</td> </tr> <tr> <td style="border-right: 1px solid black; border-top: 1px solid black;">Socket</td> <td style="border-top: 1px solid black;">Mogul Base</td> <td style="border-top: 1px solid black;">Mogul Base</td> </tr> <tr> <td style="border-right: 1px solid black; border-top: 1px solid black;">ANSI Ballast</td> <td style="border-top: 1px solid black;">M132, M154, M170</td> <td style="border-top: 1px solid black;">M131, M171</td> </tr> </tbody> </table> <p style="font-size: small; margin-top: 10px;">¹Due to the adjustability and orientation of the lamp in the Axial Floodlight, pre-planning is required prior to selecting this Luminaire. The final socket position must be considered in order to select the correct lamp. Pulse Start Metal Halide lamps have specific base configurations that must be considered.</p> <p style="font-size: x-small; margin-top: 5px;">NOTE: Due to the Energy Independence and Security Act (EISA) of 2007, Kim Lighting can no longer supply probe start metal halide ballasts with its luminaires, effective January 1, 2009. Contact Kim Lighting for availability of replacement ballasts for warranty service claims. (Visit www.aboutlightingcontrols.org or the Library of Congress website for more details).</p>	High Pressure Sodium		Pulse Start Metal Halide ¹		<input type="checkbox"/> 250HPS120	<input type="checkbox"/> 400HPS120	<input type="checkbox"/> 200PMH120	<input type="checkbox"/> 250PMH120	<input type="checkbox"/> 250HPS208	<input type="checkbox"/> 400HPS208	<input type="checkbox"/> 200PMH208	<input type="checkbox"/> 250PMH208	<input type="checkbox"/> 250HPS240	<input type="checkbox"/> 400HPS240	<input type="checkbox"/> 200PMH240	<input type="checkbox"/> 250PMH240	<input type="checkbox"/> 250HPS277	<input type="checkbox"/> 400HPS277	<input type="checkbox"/> 200PMH277	<input type="checkbox"/> 250PMH277	<input type="checkbox"/> 250HPS347	<input type="checkbox"/> 400HPS347	<input type="checkbox"/> 200PMH347	<input type="checkbox"/> 250PMH347	<input type="checkbox"/> 250HPS480	<input type="checkbox"/> 400HPS480	<input type="checkbox"/> 200PMH480	<input type="checkbox"/> 250PMH480	Lamp	E18 Clear	E18 Clear	E18 Clear	Socket	Mogul Base	Mogul Base	Mogul Base	ANSI Ballast	S50	S51	M136	Pulse Start Metal Halide ¹			<input type="checkbox"/> 320PMH120	<input type="checkbox"/> 350PMH120	<input type="checkbox"/> 400PMH120	<input type="checkbox"/> 320PMH208	<input type="checkbox"/> 350PMH208	<input type="checkbox"/> 400PMH208	<input type="checkbox"/> 320PMH240	<input type="checkbox"/> 350PMH240	<input type="checkbox"/> 400PMH240	<input type="checkbox"/> 320PMH277	<input type="checkbox"/> 350PMH277	<input type="checkbox"/> 400PMH277	<input type="checkbox"/> 320PMH347	<input type="checkbox"/> 350PMH347	<input type="checkbox"/> 400PMH347	<input type="checkbox"/> 320PMH480	<input type="checkbox"/> 350PMH480	<input type="checkbox"/> 400PMH480	Lamp	BT28 Clear	BT28 Clear	Socket	Mogul Base	Mogul Base	ANSI Ballast	M132, M154, M170	M131, M171
Lamp	Lamp	Line	Watts	Type	Volts																																																																																				
				250	PMH																																																																																				
				277																																																																																					
High Pressure Sodium		Pulse Start Metal Halide ¹																																																																																							
<input type="checkbox"/> 250HPS120	<input type="checkbox"/> 400HPS120	<input type="checkbox"/> 200PMH120	<input type="checkbox"/> 250PMH120																																																																																						
<input type="checkbox"/> 250HPS208	<input type="checkbox"/> 400HPS208	<input type="checkbox"/> 200PMH208	<input type="checkbox"/> 250PMH208																																																																																						
<input type="checkbox"/> 250HPS240	<input type="checkbox"/> 400HPS240	<input type="checkbox"/> 200PMH240	<input type="checkbox"/> 250PMH240																																																																																						
<input type="checkbox"/> 250HPS277	<input type="checkbox"/> 400HPS277	<input type="checkbox"/> 200PMH277	<input type="checkbox"/> 250PMH277																																																																																						
<input type="checkbox"/> 250HPS347	<input type="checkbox"/> 400HPS347	<input type="checkbox"/> 200PMH347	<input type="checkbox"/> 250PMH347																																																																																						
<input type="checkbox"/> 250HPS480	<input type="checkbox"/> 400HPS480	<input type="checkbox"/> 200PMH480	<input type="checkbox"/> 250PMH480																																																																																						
Lamp	E18 Clear	E18 Clear	E18 Clear																																																																																						
Socket	Mogul Base	Mogul Base	Mogul Base																																																																																						
ANSI Ballast	S50	S51	M136																																																																																						
Pulse Start Metal Halide ¹																																																																																									
<input type="checkbox"/> 320PMH120	<input type="checkbox"/> 350PMH120	<input type="checkbox"/> 400PMH120																																																																																							
<input type="checkbox"/> 320PMH208	<input type="checkbox"/> 350PMH208	<input type="checkbox"/> 400PMH208																																																																																							
<input type="checkbox"/> 320PMH240	<input type="checkbox"/> 350PMH240	<input type="checkbox"/> 400PMH240																																																																																							
<input type="checkbox"/> 320PMH277	<input type="checkbox"/> 350PMH277	<input type="checkbox"/> 400PMH277																																																																																							
<input type="checkbox"/> 320PMH347	<input type="checkbox"/> 350PMH347	<input type="checkbox"/> 400PMH347																																																																																							
<input type="checkbox"/> 320PMH480	<input type="checkbox"/> 350PMH480	<input type="checkbox"/> 400PMH480																																																																																							
Lamp	BT28 Clear	BT28 Clear																																																																																							
Socket	Mogul Base	Mogul Base																																																																																							
ANSI Ballast	M132, M154, M170	M131, M171																																																																																							
<p>Finish Super TGIC powder coat paint over a titanated zirconium conversion coating.</p>	<p>Color: Black Dark Bronze Light Gray Stealth Gray™ Platinum Silver White Custom Color²</p> <p>Cat. No.: <input type="checkbox"/> BL <input type="checkbox"/> DB <input type="checkbox"/> LG <input type="checkbox"/> SG <input type="checkbox"/> PS <input type="checkbox"/> WH <input type="checkbox"/> CC</p> <p>²Custom colors subject to additional charges, minimum quantities and extended lead times. Consult representative. Custom color description: _____</p>																																																																																								

Type:

Job:

Page: 3 of 10



Optional Features

Ordered Assembled with Fixture

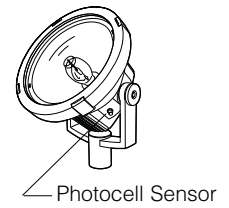
Photocell

Cat. No. (see right)
 No Option

Factory installed with flush sensor on side of housing. Select photocell with same line volts as fixture.

CAUTION: Use only in locations where adjacent lighting will not affect operation of photocell.

Cat. No.	Line Volts		
<input type="checkbox"/> A-30	120V	<input type="checkbox"/> A-33	277V
<input type="checkbox"/> A-31	208V	<input type="checkbox"/> A-35	347V
<input type="checkbox"/> A-32	240V	<input type="checkbox"/> A-34	480V

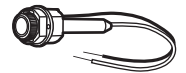


Fusing

Cat. No. (see right)
 No Option

High temperature fuse holders factory installed inside the fixture housing. Fuse is included.

Line Volts:	120V	208V	240V	277V	347V	480V
Cat. No.:	<input type="checkbox"/> SF	<input type="checkbox"/> DF	<input type="checkbox"/> DF	<input type="checkbox"/> SF	<input type="checkbox"/> SF	<input type="checkbox"/> DF



Single Fuse

Type:

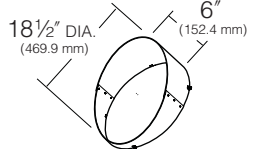
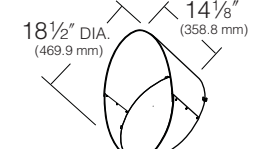
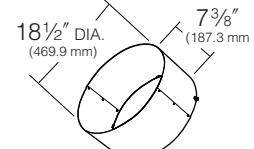
Job:

Page: 4 of 10



Fixture Options

Ordered Separately from Fixture

<p>Tamper-Resistant Latch Cat. No. <input type="checkbox"/> TL <input type="checkbox"/> No Option</p>	<p>Standard die-cast latch is provided with captive 10-32 stainless steel flat socket-head screw to prevent unauthorized opening. Required only for vandal protection in locations where fixtures can be reached by unauthorized persons.</p>
<p>Short Fixed Hood Cat. No. (see right) <input type="checkbox"/> No Option</p>	<p>All distributions.</p> <p>Formed 1/16" thick aluminum. Mounts to predrilled door frame holes. Can be mounted along the top or bottom of the fixture to shield the lamp and lens from view. Provides moderate shielding for ground mounted fixtures next to walkways, driveways, or roadways. Functional with all reflector types but more effective with medium flood or spot distributions.</p> <div style="display: flex; justify-content: space-between;"> <div data-bbox="492 961 698 1081"> <p>Cat. No. Finish:</p> <p><input type="checkbox"/> AXF2-SFH/BL Black</p> <p><input type="checkbox"/> AXF2-SFH/LG Light Gray</p> <p><input type="checkbox"/> AXF2-SFH/SG Stealth Gray™</p> </div> <div data-bbox="885 961 1091 1081"> <p>Cat. No. Finish:</p> <p><input type="checkbox"/> AXF2-SFH/DB Dark Bronze</p> <p><input type="checkbox"/> AXF2-SFH/PS Platinum Silver</p> <p><input type="checkbox"/> AXF2-SFH/WH White</p> </div> </div> 
<p>Long Fixed Hood Cat. No. (see right) <input type="checkbox"/> No Option</p>	<p>AXF22 Vertical Flood, AXF24 Narrow Flood and AXF26 Narrow Spot Distributions only.</p> <p>Formed 1/16" thick aluminum. Mounts to predrilled door frame holes. Can be mounted along the top or bottom of the fixture to shield the lamp and lens from view. Provides extra shielding for ground mounted fixtures next to walkways, driveways, or roadways. Primarily used with narrow flood reflectors but will also work with spot distributions.</p> <div style="display: flex; justify-content: space-between;"> <div data-bbox="492 1371 698 1491"> <p>Cat. No. Finish:</p> <p><input type="checkbox"/> AXF2-LFH/BL Black</p> <p><input type="checkbox"/> AXF2-LFH/LG Light Gray</p> <p><input type="checkbox"/> AXF2-LFH/SG Stealth Gray™</p> </div> <div data-bbox="885 1371 1091 1491"> <p>Cat. No. Finish:</p> <p><input type="checkbox"/> AXF2-LFH/DB Dark Bronze</p> <p><input type="checkbox"/> AXF2-LFH/PS Platinum Silver</p> <p><input type="checkbox"/> AXF2-LFH/WH White</p> </div> </div> 
<p>Round Full Shield Cat. No. (see right) <input type="checkbox"/> No Option</p>	<p>AXF23 Medium Flood, AXF24 Narrow Flood and AXF26 Narrow Spot distributions only.</p> <p>Formed 1/16" thick aluminum. Mounts to predrilled lens and provides complete shielding around the perimeter of lens opening. Primarily used with medium flood and spot distributions.</p> <div style="display: flex; justify-content: space-between;"> <div data-bbox="492 1701 698 1820"> <p>Cat. No. Finish:</p> <p><input type="checkbox"/> AXF2-RFS/BL Black</p> <p><input type="checkbox"/> AXF2-RFS/LG Light Gray</p> <p><input type="checkbox"/> AXF2-RFS/SG Stealth Gray™</p> </div> <div data-bbox="885 1701 1091 1820"> <p>Cat. No. Finish:</p> <p><input type="checkbox"/> AXF2-RFS/DB Dark Bronze</p> <p><input type="checkbox"/> AXF2-RFS/PS Platinum Silver</p> <p><input type="checkbox"/> AXF2-RFS/WH White</p> </div> </div> <p>CAUTION: Do not use in locations where leaves and debris can collect inside, as this will create a fire hazard and may cause the fixture to overheat.</p> 

Type:

Job:

Page: 5 of 10



Fixture Options

Ordered Separately from Fixture

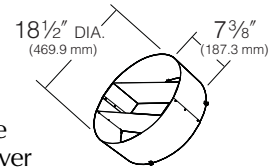
Horizontal Louver

Cat. No. (see right)
 No Option

AXF27 Wide Spot/Grazer distribution only.

Formed 1/16" thick aluminum. Mounts to predrilled door frame holes.

Cat. No.	Finish:	Cat. No.	Finish:
<input type="checkbox"/> AXF2-HL/BL	Black	<input type="checkbox"/> AXF2-HL/DB	Dark Bronze
<input type="checkbox"/> AXF2-HL/LG	Light Gray	<input type="checkbox"/> AXF2-HL/PS	Platinum Silver
<input type="checkbox"/> AXF2-HL/SG	Stealth Gray™	<input type="checkbox"/> AXF2-HL/WH	White



CAUTION: Do not use in locations where leaves and debris can collect inside, as this will create a fire hazard and may cause the fixture to overheat.

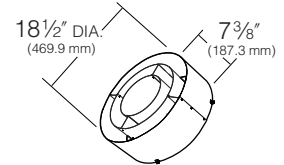
Spot Ring Louver

Cat. No. (see right)
 No Option

AXF26 Narrow Spot distribution only.

Formed 1/16" thick aluminum. Mounts to predrilled door frame holes. Concentric rings centered on lens frame provide glare control by allowing light beams to pass on spot distributions.

Cat. No.	Finish:	Cat. No.	Finish:
<input type="checkbox"/> AXF2-SRL/BL	Black	<input type="checkbox"/> AXF2-SRL/DB	Dark Bronze
<input type="checkbox"/> AXF2-SRL/LG	Light Gray	<input type="checkbox"/> AXF2-SRL/PS	Platinum Silver
<input type="checkbox"/> AXF2-SRL/SG	Stealth Gray™	<input type="checkbox"/> AXF2-SRL/WH	White



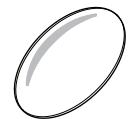
CAUTION: Do not use in locations where leaves and debris can collect inside, as this will create a fire hazard and may cause the fixture to overheat.

Lexan® Lens Shield

Cat. No. AXF2-SLX
 No Option

3/16" thick, clear convex, vacuum formed, advanced polymer (Lexan®) lens shield with gasket. Mounts over lens to predrilled door frame holes and may be used with **SFH** Short Fixed Hood, **LFH** Long Fixed Hood or **RFS** Round Full Shield Option.

CAUTION: Use only when vandalism is anticipated.



Type:

Job:

Page: 6 of 10



Fixture Options

Ordered Separately from Fixture

Round Color Filter Assembly

Cat. No. (See right)
 No Option

Heavy wall aluminum brackets with vertical channels that hold the color filter 2" away from the fixture lens. Quick change-out of the color filter is possible by the removal of two screws. Support mounts to predrilled holes in fixture door frame. May be used with **AXF2-SFH** Short Fixed Hood, **AXF2-LFH** Long Fixed Hood, and **AXF2-RFS** Round Full Shield option.



Cat. No.	Finish:
<input type="checkbox"/> AXF2-CFA-XX/BL	Black
<input type="checkbox"/> AXF2-CFA-XX/DB	Dark Bronze
<input type="checkbox"/> AXF2-CFA-XX/LG	Light Gray
<input type="checkbox"/> AXF2-CFA-XX/SG	Stealth Gray™
<input type="checkbox"/> AXF2-CFA-XX/PS	Platinum Silver
<input type="checkbox"/> AXF2-CFA-XX/WH	White

Round Color Filter Assembly Cat. No. includes round color filter and bracket finish. Specify filter, substituting **XX** for color filter number (See below) and add finish to match housing.

Ex.: AXF2-CFA-15/BL

Color Filter Selection (See color samples on page 15 of Axial Flood catalog.)

Color ¹	XX Filter # ²	Description
Deep Straw	<input type="checkbox"/> 15	Warms metal halide color. Deepens high pressure sodium color to yellow/orange.
Rose Tint	<input type="checkbox"/> 05	Warms metal halide color. Deepens high pressure sodium color to pink/orange.
Medium Red	<input type="checkbox"/> 27	Deep color accent. Best used with high pressure sodium lamps. NOTE: Very low output with metal halide lamps.
Brilliant Blue	<input type="checkbox"/> 69	Deep color accent. Best used with metal halide lamps. NOTE: Not recommended for high pressure sodium lamps.
Primary Green	<input type="checkbox"/> 91	Deep color accent. Blue shift with metal halide lamps. Yellow shift with high pressure sodium lamps.

NOTE: Color samples shown for reference only and will not represent actual illumination color rendered by HID lamps.

¹Exact color output is highly dependent on lamp used, (i.e. HPS vs. PMH, specific lamp color temperature and other factors).

²**XX** Color filter number corresponds with Roscolux color filter numbers.

Type:
 Job:

Page: 7 of 10



Mounting Options

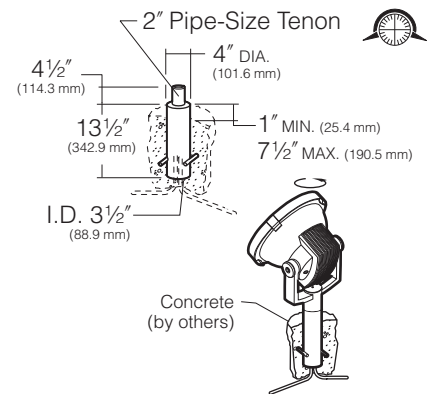
Ordered Separately from Fixture

Stanchion Mount Tenon

- Cat. No. SM2/BL
 No Option

For ground or pedestal mount applications. 4" O.D. cast aluminum stanchion with 2" pipe-size tenon (2 3/8" O.D., 1 3/8" I.D.) for mounting a single fixture or multiple top-mounts. Black finish.

CAUTION: Multiple top-mounts must not be used in locations where people can climb on fixtures and mounting arms. To assure a rigid installation, Stanchion must be set in concrete (by others).

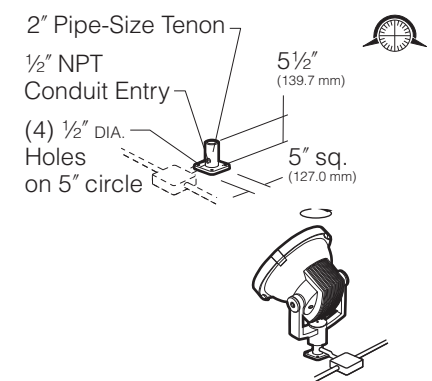


Surface Mount Tenon

- Cat. No. SMT/BL
 No Option

For parapet, deck, or other surface mounting. 2" pipe-size tenon (2 3/8" O.D., 2" I.D.) welded to a heavy-duty cast aluminum plate. Plate has four 1/2" mounting holes, and tenon has one 1/2" NPT for side conduit entry. Black finish.

NOTE: May also be used for wall mount grazing if horizontal fixture adjustment is not necessary. For wall mounting and horizontal fixture adjustment use AXF2-WM.



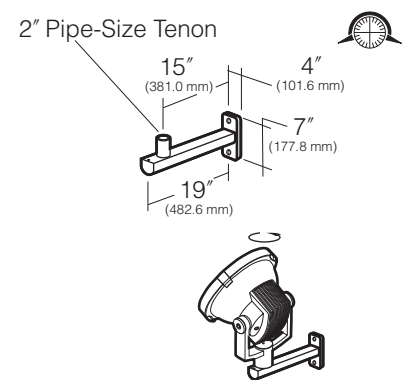
Wall Mount Tenon

- Cat. No. (See right)
 No Option

Component EPA: 0.3

For mounting the Axial Flood on walls and other vertical surfaces where horizontal adjustment may be necessary. 2" pipe-size tenon (2 3/8" O.D., 2" I.D.) welded to an extruded aluminum arm with a removable end cap for wiring access. Arm is welded to a cast aluminum plate with two 1/2" mounting holes. May be used with optional WEB wall embedment bracket.

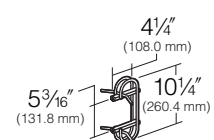
- Cat. No. Finish:
- AXF2-WM/BL Black
 - AXF2-WM/DB Dark Bronze
 - AXF2-WM/LG Light Gray
 - AXF2-WM/SG Stealth Gray™
 - AXF2-WM/PS Platinum Silver
 - AXF2-WM/WH White



Wall Embedment Bracket

- Cat. No. WEB
 No Option

Available for use with AXF2-WM. Provides 3/8"-16 bolt receptacles welded in a galvanized rebar cage for casting into poured-in-place concrete walls. Bolt receptacles receive fixture attachment bolts.



Type:

Job:

Page: 8 of 10



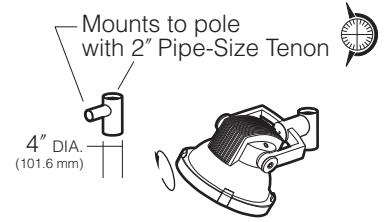
Mounting Options

Ordered Separately from Fixture

Side Mount Tenon

- Cat. No. **SMT-1A**
 No Option

Cast vertical slip fitter with heavy extruded aluminum side mount 2" pipe-size tenon (2³/₈" O.D., 2" I.D.). Mounts to 2" pipe-size tenon.



Side Pole Mount Tenon for Square Poles

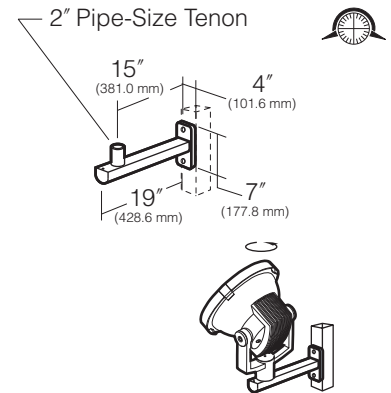
- Cat. No. **(See right)**
 No Option

Component EPA: 0.3

2" pipe-size tenon (2³/₈" O.D., 2" I.D.) welded to an extruded aluminum arm with a removable end cap for wiring access. Arm is welded to a cast aluminum plate with two 1/2" mounting holes. Zinc plated steel backing plate is provided for insertion inside the pole for structural support. Mounts to 4" minimum square pole.

- | | |
|---|-----------------|
| Cat. No. | Finish: |
| <input type="checkbox"/> AXF2-SPS/BL | Black |
| <input type="checkbox"/> AXF2-SPS/DB | Dark Bronze |
| <input type="checkbox"/> AXF2-SPS/LG | Light Gray |
| <input type="checkbox"/> AXF2-SPS/SG | Stealth Gray™ |
| <input type="checkbox"/> AXF2-SPS/PS | Platinum Silver |
| <input type="checkbox"/> AXF2-SPS/WH | White |

Example: **AXF2-SPS/BL** for Square Pole



Side Pole Mount Tenon for Round Poles

- Cat. No. **(see right)**
 No Option

Component EPA: 0.3

2" pipe-size tenon (2³/₈" O.D., 2" I.D.) welded to an extruded aluminum arm with a removable end cap for wiring access. Arm is welded to a cast aluminum plate with two 1/2" mounting holes. Zinc plated steel backing plate is provided for insertion inside the pole for structural support.

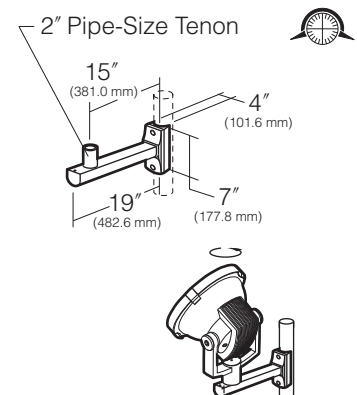
- | | |
|---|-----------------|
| Cat. No. | Finish: |
| <input type="checkbox"/> AXF2-SPR-X/BL | Black |
| <input type="checkbox"/> AXF2-SPR-X/DB | Dark Bronze |
| <input type="checkbox"/> AXF2-SPR-X/LG | Light Gray |
| <input type="checkbox"/> AXF2-SPR-X/SG | Stealth Gray™ |
| <input type="checkbox"/> AXF2-SPR-X/PS | Platinum Silver |
| <input type="checkbox"/> AXF2-SPR-X/WH | White |

Side Pole Mount Cat. No. includes pole dia. and finish.

Pole Diameter Selection

- 3"**
 3 1/2"
 4"
 5"
 6"

Example: **AXF2-SPR-4/BL** for 4" Round Pole



Type:

Job:



Mounting Options

Ordered Separately from Fixture

Twin Mount Tenon

Cat. No. (see right)
 No Option

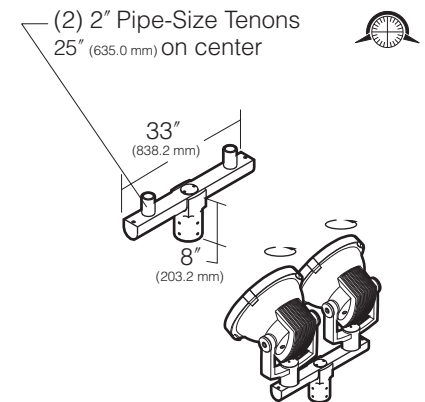
Component EPA: 1.0

Extruded aluminum support continuously welded to a heavy cast aluminum slipfitter hub that cradles the arm for strength. The slipfitter hub contains four recessed 3/8" stainless steel allen head set point screws for mounting to steel pole with 2" pipe-size steel tenon (2 3/8" O.D. x 4 1/4" Length). Cast aluminum end caps and center cap provide access to field splice connections.

CAUTION: Approved for mounting to poles with steel tenons only.

Cat. No. Finish:

- AXF2-MTM-2B/BL Black
- AXF2-MTM-2B/DB Dark Bronze
- AXF2-MTM-2B/LG Light Gray
- AXF2-MTM-2B/SG Stealth Gray™
- AXF2-MTM-2B/PS Platinum Silver
- AXF2-MTM-2B/WH White



Twin Side Tenon Mount

Cat. No. (see right)
 No Option

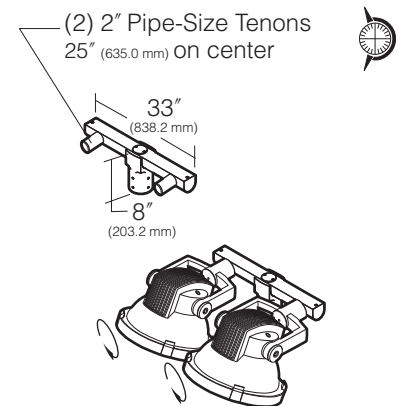
Component EPA: 1.0

Extruded aluminum support continuously welded to a heavy cast aluminum slipfitter hub that cradles the arm for strength. The slipfitter hub contains four recessed 3/8" stainless steel allen head set point screws for mounting to steel pole with 2" pipe-size steel tenon (2 3/8" O.D. x 4 1/4" Length). Cast aluminum end caps and center cap provide access to field splice connections.

CAUTION: Approved for mounting to poles with steel tenons only.

Cat. No. Finish:

- AXF2-STM-2B/BL Black
- AXF2-STM-2B/DB Dark Bronze
- AXF2-STM-2B/LG Light Gray
- AXF2-STM-2B/SG Stealth Gray™
- AXF2-STM-2B/PS Platinum Silver
- AXF2-STM-2B/WH White



Type:

Job:

Page: 10 of 10



Mounting Options

Ordered Separately from Fixture

Triple Mount Tenon

Cat. No. (see right)
 No Option

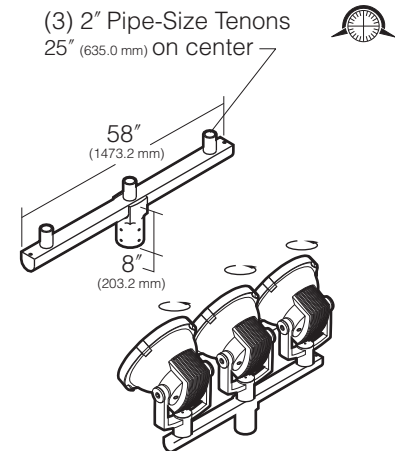
Component EPA: 1.5

Extruded aluminum support continuously welded to a heavy cast aluminum slipfitter hub that cradles the arm for strength. The slipfitter hub contains four recessed 3/8" stainless steel allen head set point screws for mounting to steel pole with steel 2" pipe-size tenon (2 3/8" O.D. x 4 1/4" Length). Cast aluminum end caps and center cap provide access to field splice connections.

CAUTION: Approved for mounting to poles with steel tenons only.

Cat. No. Finish:
 AXF2-MTM-3E/BL Black
 AXF2-MTM-3E/DB Dark Bronze
 AXF2-MTM-3E/LG Light Gray
 AXF2-MTM-3E/SG Stealth Gray™
 AXF2-MTM-3E/PS Platinum Silver
 AXF2-MTM-3E/WH White

(3) 2" Pipe-Size Tenons
 25" (635.0 mm) on center



Triple Side Tenon Mount

Cat. No. (see right)
 No Option

Component EPA: 1.5

Extruded aluminum support continuously welded to a heavy cast aluminum slipfitter hub that cradles the arm for strength. The slipfitter hub contains four recessed 3/8" stainless steel allen head set point screws for mounting to steel pole with steel 2" pipe-size tenon (2 3/8" O.D. x 4 1/4" Length). Cast aluminum end caps and center cap provide access to field splice connections.

CAUTION: Approved for mounting to poles with steel tenons only.

Cat. No. Finish:
 AXF2-STM-3E/BL Black
 AXF2-STM-3E/DB Dark Bronze
 AXF2-STM-3E/LG Light Gray
 AXF2-STM-3E/SG Stealth Gray™
 AXF2-STM-3E/PS Platinum Silver
 AXF2-STM-3E/WH White

(3) 2" Pipe-Size Tenons
 25" (635.0 mm) on center

