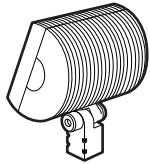


Type:
 Job:

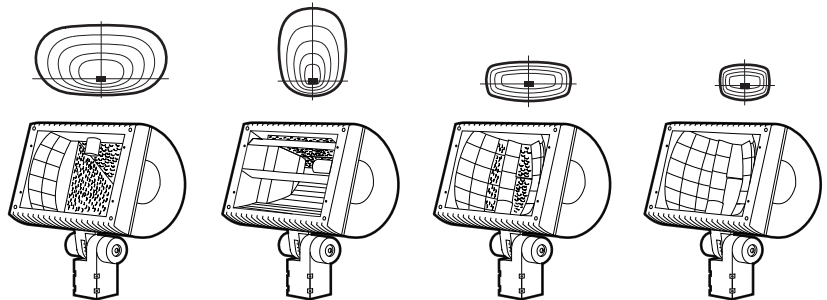


Standard Features

Fixture

Cat. No. designates **AFL20** fixture and beam pattern.

Single fixture EPA:
 1.3 (45° tilt)
 2.3 (Face on)



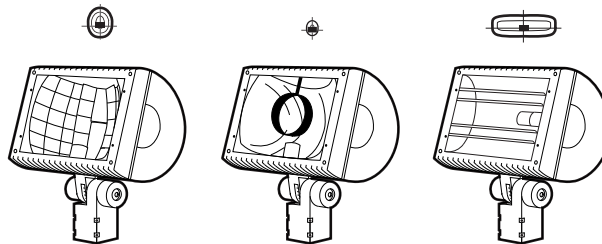
Beam Pattern:
 Cat. No.:

Wide Flood
 AFL21

Vertical Flood
 AFL22

Medium Flood
 AFL23

Narrow Flood
 AFL24



Beam Pattern:
 Cat. No.:

Spot
 AFL25

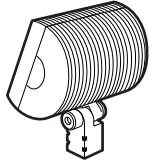
Narrow Spot
 AFL26

Horizontal Spot
 AFL27

Type:

Job:

Page: 3 of 11



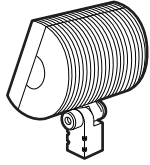
Standard Features

| | | | | | | | | | | | | | | | | | | | | | | | | | | | | | | | | | | | | | | | | | | | | | | | | | | | | | | | |
|---|--|---|---|---|--|---|---|--|---|---|--|---|---|--|---|---|--|---|---|------|------------|------------|--------|------------|------------|-------------------|------|------|--|---|---|--|---|---|--|---|---|--|---|---|--|---|---|--|---|---|------|-------------|-------------|--------|------------|------------|-------------------|-------|-------|
| <p>Electrical Module: HPS = High Pressure Sodium PMH = Pulse Start Metal Halide</p> <p>Lamp Watts Lamp Type Line Volts 400 HPS 277</p> | <p>Cat. Nos. for Electrical Modules available:</p> <table border="1"> <tr> <td></td> <td><input type="checkbox"/> 250HPS120</td> <td><input type="checkbox"/> 400HPS120</td> </tr> <tr> <td></td> <td><input type="checkbox"/> 250HPS208</td> <td><input type="checkbox"/> 400HPS208</td> </tr> <tr> <td></td> <td><input type="checkbox"/> 250HPS240</td> <td><input type="checkbox"/> 400HPS240</td> </tr> <tr> <td></td> <td><input type="checkbox"/> 250HPS277</td> <td><input type="checkbox"/> 400HPS277</td> </tr> <tr> <td></td> <td><input type="checkbox"/> 250HPS347</td> <td><input type="checkbox"/> 400HPS347</td> </tr> <tr> <td></td> <td><input type="checkbox"/> 250HPS480</td> <td><input type="checkbox"/> 400HPS480</td> </tr> </table> <table border="1"> <tr> <td>Lamp</td> <td>E-18 Clear</td> <td>E-18 Clear</td> </tr> <tr> <td>Socket</td> <td>Mogul Base</td> <td>Mogul Base</td> </tr> <tr> <td>ANSI Ballast Type</td> <td>S-50</td> <td>S-51</td> </tr> </table> <table border="1"> <tr> <td></td> <td><input type="checkbox"/> 250PMH120</td> <td><input type="checkbox"/> 400PMH120</td> </tr> <tr> <td></td> <td><input type="checkbox"/> 250PMH208</td> <td><input type="checkbox"/> 400PMH208</td> </tr> <tr> <td></td> <td><input type="checkbox"/> 250PMH240</td> <td><input type="checkbox"/> 400PMH240</td> </tr> <tr> <td></td> <td><input type="checkbox"/> 250PMH277</td> <td><input type="checkbox"/> 400PMH277</td> </tr> <tr> <td></td> <td><input type="checkbox"/> 250PMH347</td> <td><input type="checkbox"/> 400PMH347</td> </tr> <tr> <td></td> <td><input type="checkbox"/> 250PMH480</td> <td><input type="checkbox"/> 400PMH480</td> </tr> </table> <table border="1"> <tr> <td>Lamp</td> <td>ED-28 Clear</td> <td>ED-28 Clear</td> </tr> <tr> <td>Socket</td> <td>Mogul Base</td> <td>Mogul Base</td> </tr> <tr> <td>ANSI Ballast Type</td> <td>M-138</td> <td>M-135</td> </tr> </table> <p>NOTE: Due to the Energy Independence and Security Act (EISA) of 2007, Kim Lighting can no longer supply probe start metal halide ballasts with its luminaires, effective January 1, 2009. Contact Kim Lighting for availability of replacement ballasts for warranty service claims. (Visit www.aboutlightingcontrols.org or the Library of Congress website for more details).</p> | | <input type="checkbox"/> 250HPS120 | <input type="checkbox"/> 400HPS120 | | <input type="checkbox"/> 250HPS208 | <input type="checkbox"/> 400HPS208 | | <input type="checkbox"/> 250HPS240 | <input type="checkbox"/> 400HPS240 | | <input type="checkbox"/> 250HPS277 | <input type="checkbox"/> 400HPS277 | | <input type="checkbox"/> 250HPS347 | <input type="checkbox"/> 400HPS347 | | <input type="checkbox"/> 250HPS480 | <input type="checkbox"/> 400HPS480 | Lamp | E-18 Clear | E-18 Clear | Socket | Mogul Base | Mogul Base | ANSI Ballast Type | S-50 | S-51 | | <input type="checkbox"/> 250PMH120 | <input type="checkbox"/> 400PMH120 | | <input type="checkbox"/> 250PMH208 | <input type="checkbox"/> 400PMH208 | | <input type="checkbox"/> 250PMH240 | <input type="checkbox"/> 400PMH240 | | <input type="checkbox"/> 250PMH277 | <input type="checkbox"/> 400PMH277 | | <input type="checkbox"/> 250PMH347 | <input type="checkbox"/> 400PMH347 | | <input type="checkbox"/> 250PMH480 | <input type="checkbox"/> 400PMH480 | Lamp | ED-28 Clear | ED-28 Clear | Socket | Mogul Base | Mogul Base | ANSI Ballast Type | M-138 | M-135 |
| | <input type="checkbox"/> 250HPS120 | <input type="checkbox"/> 400HPS120 | | | | | | | | | | | | | | | | | | | | | | | | | | | | | | | | | | | | | | | | | | | | | | | | | | | | | |
| | <input type="checkbox"/> 250HPS208 | <input type="checkbox"/> 400HPS208 | | | | | | | | | | | | | | | | | | | | | | | | | | | | | | | | | | | | | | | | | | | | | | | | | | | | | |
| | <input type="checkbox"/> 250HPS240 | <input type="checkbox"/> 400HPS240 | | | | | | | | | | | | | | | | | | | | | | | | | | | | | | | | | | | | | | | | | | | | | | | | | | | | | |
| | <input type="checkbox"/> 250HPS277 | <input type="checkbox"/> 400HPS277 | | | | | | | | | | | | | | | | | | | | | | | | | | | | | | | | | | | | | | | | | | | | | | | | | | | | | |
| | <input type="checkbox"/> 250HPS347 | <input type="checkbox"/> 400HPS347 | | | | | | | | | | | | | | | | | | | | | | | | | | | | | | | | | | | | | | | | | | | | | | | | | | | | | |
| | <input type="checkbox"/> 250HPS480 | <input type="checkbox"/> 400HPS480 | | | | | | | | | | | | | | | | | | | | | | | | | | | | | | | | | | | | | | | | | | | | | | | | | | | | | |
| Lamp | E-18 Clear | E-18 Clear | | | | | | | | | | | | | | | | | | | | | | | | | | | | | | | | | | | | | | | | | | | | | | | | | | | | | |
| Socket | Mogul Base | Mogul Base | | | | | | | | | | | | | | | | | | | | | | | | | | | | | | | | | | | | | | | | | | | | | | | | | | | | | |
| ANSI Ballast Type | S-50 | S-51 | | | | | | | | | | | | | | | | | | | | | | | | | | | | | | | | | | | | | | | | | | | | | | | | | | | | | |
| | <input type="checkbox"/> 250PMH120 | <input type="checkbox"/> 400PMH120 | | | | | | | | | | | | | | | | | | | | | | | | | | | | | | | | | | | | | | | | | | | | | | | | | | | | | |
| | <input type="checkbox"/> 250PMH208 | <input type="checkbox"/> 400PMH208 | | | | | | | | | | | | | | | | | | | | | | | | | | | | | | | | | | | | | | | | | | | | | | | | | | | | | |
| | <input type="checkbox"/> 250PMH240 | <input type="checkbox"/> 400PMH240 | | | | | | | | | | | | | | | | | | | | | | | | | | | | | | | | | | | | | | | | | | | | | | | | | | | | | |
| | <input type="checkbox"/> 250PMH277 | <input type="checkbox"/> 400PMH277 | | | | | | | | | | | | | | | | | | | | | | | | | | | | | | | | | | | | | | | | | | | | | | | | | | | | | |
| | <input type="checkbox"/> 250PMH347 | <input type="checkbox"/> 400PMH347 | | | | | | | | | | | | | | | | | | | | | | | | | | | | | | | | | | | | | | | | | | | | | | | | | | | | | |
| | <input type="checkbox"/> 250PMH480 | <input type="checkbox"/> 400PMH480 | | | | | | | | | | | | | | | | | | | | | | | | | | | | | | | | | | | | | | | | | | | | | | | | | | | | | |
| Lamp | ED-28 Clear | ED-28 Clear | | | | | | | | | | | | | | | | | | | | | | | | | | | | | | | | | | | | | | | | | | | | | | | | | | | | | |
| Socket | Mogul Base | Mogul Base | | | | | | | | | | | | | | | | | | | | | | | | | | | | | | | | | | | | | | | | | | | | | | | | | | | | | |
| ANSI Ballast Type | M-138 | M-135 | | | | | | | | | | | | | | | | | | | | | | | | | | | | | | | | | | | | | | | | | | | | | | | | | | | | | |
| <p>Finish Super TGIC powder coat paint over a titanated zirconium conversion coating.</p> | <p>Color: Black Dark Bronze Light Gray Stealth Gray™ Platinum Silver White Custom Color¹</p> <p>Cat. No.: <input type="checkbox"/> BL <input type="checkbox"/> DB <input type="checkbox"/> LG <input type="checkbox"/> SG <input type="checkbox"/> PS <input type="checkbox"/> WH <input type="checkbox"/> CC</p> <p>¹Custom colors subject to additional charges, minimum quantities and extended lead times. Consult representative. Custom color description: _____</p> | | | | | | | | | | | | | | | | | | | | | | | | | | | | | | | | | | | | | | | | | | | | | | | | | | | | | | |

Type:

Job:

Page: 4 of 11



Optional Feature

Ordered Assembled with Fixture

Photocell

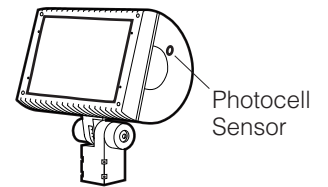
Cat. No. (see right)
 No Option

Factory installed with flush sensor on side of housing. Select photocell with same line volts as fixture.

CAUTION: Use only in locations where adjacent lighting will not affect operation of photocell.

Cat. No. Line Volts

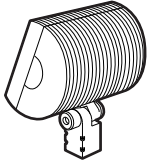
- | | | | |
|--------------------------------------|------|--------------------------------------|------|
| <input type="checkbox"/> A-30 | 120V | <input type="checkbox"/> A-33 | 277V |
| <input type="checkbox"/> A-31 | 208V | <input type="checkbox"/> A-34 | 480V |
| <input type="checkbox"/> A-32 | 240V | <input type="checkbox"/> A-35 | 347V |



Type:

Job:

Page: 5 of 11



Fixture Options

Ordered Separately from Fixture

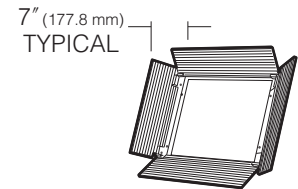
Barn Doors

Cat. No. (see right)
 No Option

Extruded aluminum doors with anti-reflection baffles. Each door is hinged to a cast aluminum frame, and locks by set screws. Doors are individually removable. Barn Door assembly mounts to predrilled door frame holes. May be used with **AFL-LS2** or **CFA2** option.

CAUTION: Not recommended for ground mounted fixtures in vandal prone areas.

Cat. No. Finish:
 BD2/BL Black
 BD2/DB Dark Bronze
 BD2/LG Light Gray
 BD2/SG Stealth Gray™
 BD2/PS Platinum Silver
 BD2/WH White

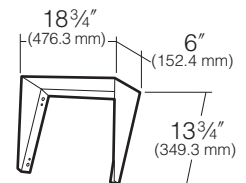


Fixed Hood

Cat. No. (see right)
 No Option

Formed 1/16" thick aluminum. Mounts to predrilled door frame holes. May be used with **AFL-LS2** and **CFA2** option. Can be mounted along the top or bottom of the fixture to shield the lamp and lens from view. Provides moderate shielding for ground mounted fixtures next to walkways, drive-ways or roadways. Best suited for **AFL21** and **AFL22**.

Cat. No. Finish:
 FH2/BL Black
 FH2/DB Dark Bronze
 FH2/LG Light Gray
 FH2/SG Stealth Gray™
 FH2/PS Platinum Silver
 FH2/WH White



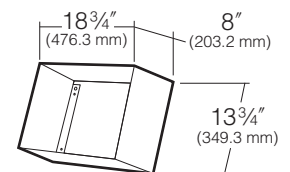
Full Shield

Cat. No. (see right)
 No Option

Formed 1/16" thick x 8" deep aluminum. Mounts to predrilled lens frame holes and provides complete shielding around the perimeter of lens opening. May be used with **AFL-LS2** or **CFA2** option. Best suited for **AFL23**, **AFL24**, **AFL25**, and **AFL26**.

CAUTION: Do not use in locations where leaves and trash can collect inside shield.

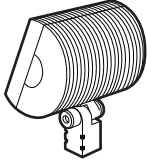
Cat. No. Finish:
 FS2/BL Black
 FS2/DB Dark Bronze
 FS2/LG Light Gray
 FS2/SG Stealth Gray™
 FS2/PS Platinum Silver
 FS2/WH White



Type:

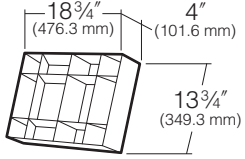
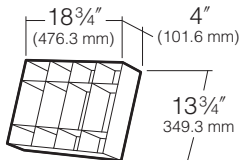
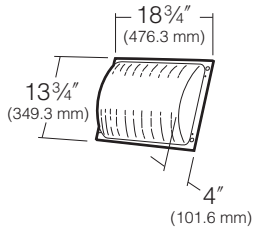
Job:

Page: 6 of 11



Fixture Options

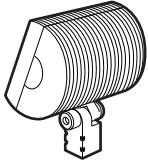
Ordered Separately from Fixture

| | | |
|--|---|---|
| <p>Grid Louver for AFL24 Cat. No. (see right) <input type="checkbox"/> No Option</p> | <p>Formed 1/16" thick aluminum. Mounts to predrilled door frame holes. Provides glare control for AFL24 while maintaining beam efficiency and uniformity. NOTE: For use with AFL24 only.</p> <p>Cat. No. Finish: <input type="checkbox"/> GL8/BL Black <input type="checkbox"/> GL8/DB Dark Bronze <input type="checkbox"/> GL8/LG Light Gray <input type="checkbox"/> GL8/SG Stealth Gray™ <input type="checkbox"/> GL8/PS Platinum Silver <input type="checkbox"/> GL8/WH White</p> |  |
| <p>Grid Louver for AFL25 and AFL26 Cat. No. (see right) <input type="checkbox"/> No Option</p> | <p>Formed 1/16" thick aluminum. Mounts to predrilled door frame holes. Provides glare control for AFL25 and AFL26 while maintaining beam efficiency and uniformity. NOTE: For use with AFL25 and AFL26 only.</p> <p>Cat. No. Finish: <input type="checkbox"/> GL9/BL Black <input type="checkbox"/> GL9/DB Dark Bronze <input type="checkbox"/> GL9/LG Light Gray <input type="checkbox"/> GL9/SG Stealth Gray™ <input type="checkbox"/> GL9/PS Platinum Silver <input type="checkbox"/> GL9/WH White</p> |  |
| <p>Lexan® Lens Shield Cat. No. <input type="checkbox"/> AFL-LS2 <input type="checkbox"/> No Option</p> | <p>3/16" thick, clear convex, vacuum formed, advanced polymer (Lexan®) lens shield with gasket. Mounts over lens to predrilled door frame holes and may be used with BD Barn Door, FH Fixed Hood, or FS Full Shield option. CAUTION: Use only when vandalism is anticipated. NOTE: Not for use with GL8, GL9 Louvers or CFA2 color filter options.</p> |  |

Type:

Job:

Page: 7 of 11



Fixture Options

Ordered Separately from Fixture

Color Filter Assembly

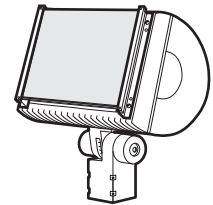
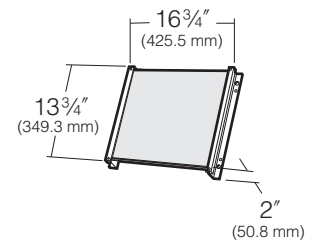
Cat. No. (See right)
 No Option

Heavy wall aluminum extrusion with anti-reflection baffles and vertical channels that hold the color filter 2" away from the fixture lens. Quick change-out of the color filter is possible by the removal of two channel screws. Support mounts to predrilled holes in fixture door frame. May be used with **BD2** Barn Door, **FH2** Fixed Hood, or **FS2** Full Shield option.

| | |
|--|-----------------|
| Cat. No. | Finish: |
| <input type="checkbox"/> CFA2-XX/BL | Black |
| <input type="checkbox"/> CFA2-XX/DB | Dark Bronze |
| <input type="checkbox"/> CFA2-XX/LG | Light Gray |
| <input type="checkbox"/> CFA2-XX/SG | Stealth Gray™ |
| <input type="checkbox"/> CFA2-XX/PS | Platinum Silver |
| <input type="checkbox"/> CFA2-XX/WH | White |

Color Filter Assembly Cat. No. includes color filter and channel finish. Specify filter, substituting **XX** for color filter number (See below) and add finish.

Ex.: **CFA2-15/BL**



Color Filter Selection (See color samples on page 69 of AFL catalog.)

| Color ¹ | XX Filter # ² | Description |
|--------------------|-----------------------------|---|
| Deep Straw | <input type="checkbox"/> 15 | Warms metal halide color. Deepens high pressure sodium color to yellow/orange. |
| Rose Tint | <input type="checkbox"/> 05 | Warms metal halide color. Deepens high pressure sodium color to pink/orange. |
| Medium Red | <input type="checkbox"/> 27 | Deep color accent. Best used with high pressure sodium. NOTE: Very low output with metal halide lamps. |
| Brilliant Blue | <input type="checkbox"/> 69 | Deep color accent. Best used with metal halide lamps. NOTE: Not recommended for high pressure sodium lamps. |
| Primary Green | <input type="checkbox"/> 91 | Deep color accent. Blue shift with metal halide lamps. Yellow shift with high pressure sodium lamps. |

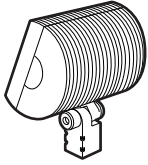
NOTE: Color samples shown for reference only and will not represent actual illumination color rendered by HID lamps.

¹Exact color output is highly dependent on lamp used, (i.e. HPS vs. PMH, specific lamp color temperature and other factors).

²**XX** Color filter number corresponds with Roscolux color filter numbers.

Type:

Job:



Mounting Options

Ordered Separately from Fixture



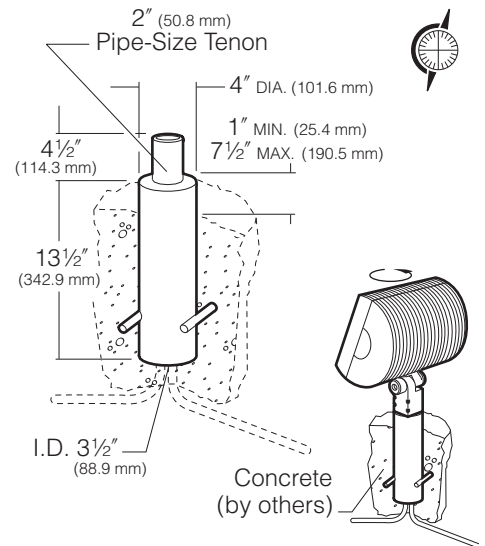
Reference symbol for fixture aiming range when mounted on the option as shown. This range is in the vertical plane and does not necessarily apply to all conditions. See page 1 for full aiming range without mounting options.

Stanchion Mount Tenon

- Cat. No. **SM2/BL**
 No Option

4" O.D. cast low copper (<0.6% Cu) aluminum stanchion with 2" pipe-size tenon (2³/₈" O.D., 1³/₈" I.D.) for mounting a single fixture or multiple top-mounts. Black finish.

CAUTION: Multiple top-mounts must not be used in locations where people can climb on fixtures and mounting arms. To assure a rigid installation, Stanchion must be set in concrete (by others).

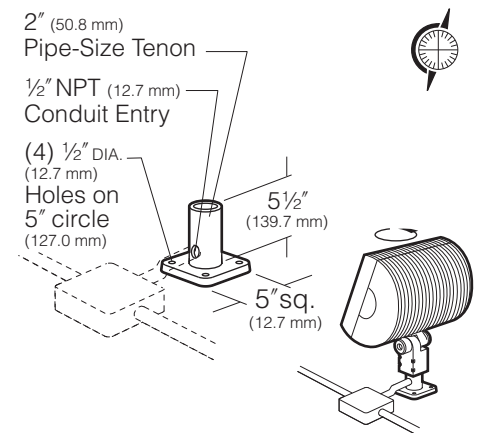


Surface Mount Tenon

- Cat. No. **SMT/BL**
 No Option

2" pipe-size tenon (2³/₈" O.D., 2" I.D.) welded to a cast aluminum plate. Plate has four 1/2" mounting holes, and tenon has one 1/2" NPT for side conduit entry. Black finish.

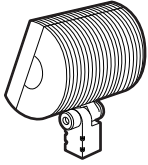
NOTE: Not for use with **MTM-2B** or **MTM-3E** options. May be wall mounted if horizontal fixture adjustment is not required. For wall mounting with horizontal fixture adjustment, use **WM2**.



Type:

Job:

Page: 9 of 11



Mounting Options

Ordered Separately from Fixture



Reference symbol for fixture aiming range when mounted on the option as shown. This range is in the vertical plane and does not necessarily apply to all conditions. See page 1 for full aiming range without mounting options.

Wall Mount Tenon

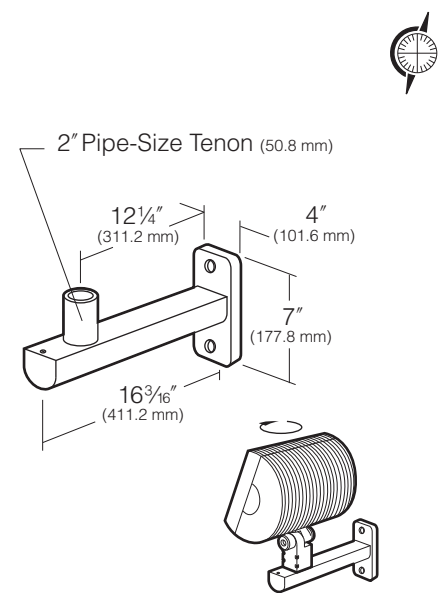
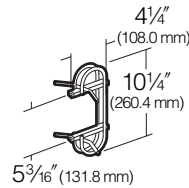
Cat. No. **(See right)**
 No Option

Component EPA: 0.3

2" pipe-size tenon (2³/₈" O.D., 2" I.D.) welded to an extruded aluminum arm with a removable end cap for wiring access. Arm is welded to a cast aluminum plate with two 1/2" mounting holes.

| | |
|---------------------------------|-----------------|
| Cat. No. | Finish: |
| <input type="checkbox"/> WM2/BL | Black |
| <input type="checkbox"/> WM2/DB | Dark Bronze |
| <input type="checkbox"/> WM2/LG | Light Gray |
| <input type="checkbox"/> WM2/SG | Stealth Gray™ |
| <input type="checkbox"/> WM2/PS | Platinum Silver |
| <input type="checkbox"/> WM2/WH | White |
| <input type="checkbox"/> WEB | |

Optional Wall Embedment Bracket (WEB) provides 3/8"-16 bolt receptacles welded in a galvanized re-bar cage for casting into poured-in-place concrete walls. Bolt receptacles receive fixture attachment bolts.



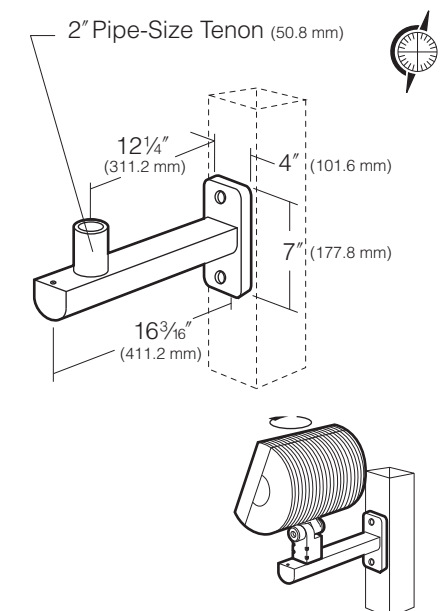
Side Pole Mount Tenon for Square Poles

Cat. No. **(See right)**
 No Option

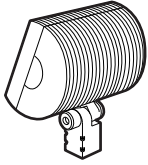
Component EPA: 0.3

2" pipe-size tenon (2³/₈" O.D., 2" I.D.) welded to an extruded aluminum arm with a removable end cap for wiring access. Arm is welded to a cast aluminum plate with two 1/2" mounting holes. Zinc plated steel backing plate is provided for insertion inside the pole for structural support.

| | |
|----------------------------------|-----------------|
| Cat. No. | Finish: |
| <input type="checkbox"/> SPS2/BL | Black |
| <input type="checkbox"/> SPS2/DB | Dark Bronze |
| <input type="checkbox"/> SPS2/LG | Light Gray |
| <input type="checkbox"/> SPS2/SG | Stealth Gray™ |
| <input type="checkbox"/> SPS2/PS | Platinum Silver |
| <input type="checkbox"/> SPS2/WH | White |



Type:
Job:



Mounting Options

Ordered Separately from Fixture



Reference symbol for fixture aiming range when mounted on the option as shown. This range is in the vertical plane and does not necessarily apply to all conditions. See page 1 for full aiming range without mounting options.

Side Pole Mount Tenon for Round Poles

Cat. No. (see right)
 No Option

Component EPA: 0.3

2" pipe-size tenon (2³/₈" O.D., 2" I.D.) welded to an extruded aluminum arm with a removable end cap for wiring access. Arm is welded to a cast aluminum plate with two 1/2" mounting holes. Zinc plated steel backing plate is provided for insertion inside the pole for structural support.

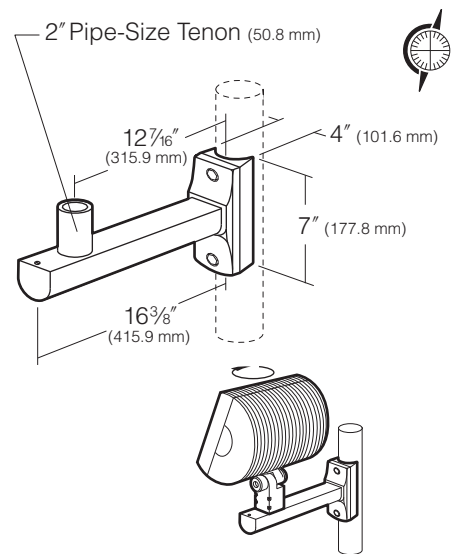
| | |
|---|-----------------|
| Cat. No. | Finish: |
| <input type="checkbox"/> SPR2-X/BL | Black |
| <input type="checkbox"/> SPR2-X/DB | Dark Bronze |
| <input type="checkbox"/> SPR2-X/LG | Light Gray |
| <input type="checkbox"/> SPR2-X/SG | Stealth Gray™ |
| <input type="checkbox"/> SPR2-X/PS | Platinum Silver |
| <input type="checkbox"/> SPR2-X/WH | White |

Side Pole Mount Cat. No. includes pole dia. and finish.

Pole Diameter Selection

- 3"
- 3 1/2"
- 4"
- 5"
- 6"

Example: **SPR2-4/BL** for 4" Round Pole



Twin Mount Tenon

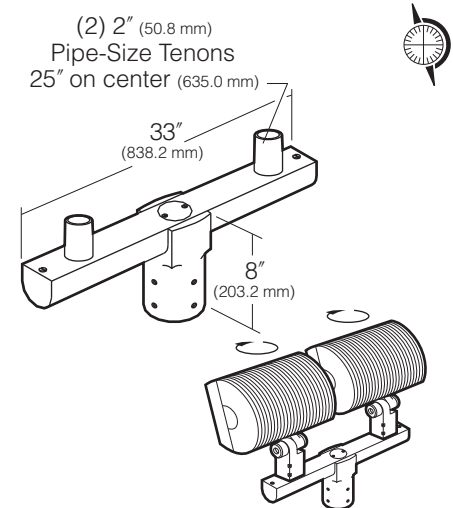
Cat. No. (see right)
 No Option

Component EPA: 1.0

Extruded aluminum support continuously welded to a heavy cast aluminum slipfitter hub which cradles the arm for strength. The slipfitter hub contains four recessed 3/8" stainless steel allen head set point screws for mounting to steel pole with steel 2" pipe size tenon (2³/₈" O.D. x 4 1/4"). Cast aluminum end caps and center cap provide access to field splice connections.

CAUTION: Approved for mounting to poles with steel tenons only.

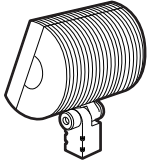
| | |
|---|-----------------|
| Cat. No. | Finish: |
| <input type="checkbox"/> MTM-2B/BL | Black |
| <input type="checkbox"/> MTM-2B/DB | Dark Bronze |
| <input type="checkbox"/> MTM-2B/LG | Light Gray |
| <input type="checkbox"/> MTM-2B/SG | Stealth Gray™ |
| <input type="checkbox"/> MTM-2B/PS | Platinum Silver |
| <input type="checkbox"/> MTM-2B/WH | White |



Type:

Job:

Page: 11 of 11



Mounting Options

Ordered Separately from Fixture



Reference symbol for fixture aiming range when mounted on the option as shown. This range is in the vertical plane and does not necessarily apply to all conditions. See page 1 for full aiming range without mounting options.

Triple Mount Tenon

Cat. No. (see right)
 No Option

Component EPA: 1.5

Extruded aluminum support continuously welded to a heavy cast aluminum slipfitter hub which cradles the arm for strength. The slipfitter hub contains four recessed $\frac{3}{8}$ " stainless steel allen head set point screws for mounting to steel pole with steel 2" pipe size tenon ($2\frac{3}{8}$ " O.D. x $4\frac{1}{4}$ "). Cast aluminum end caps and center cap provide access to field splice connections.

CAUTION: Approved for mounting to poles with steel tenons only.

| | |
|------------------------------------|-----------------|
| Cat. No. | Finish: |
| <input type="checkbox"/> MTM-3E/BL | Black |
| <input type="checkbox"/> MTM-3E/DB | Dark Bronze |
| <input type="checkbox"/> MTM-3E/LG | Light Gray |
| <input type="checkbox"/> MTM-3E/SG | Stealth Gray™ |
| <input type="checkbox"/> MTM-3E/PS | Platinum Silver |
| <input type="checkbox"/> MTM-3E/WH | White |

