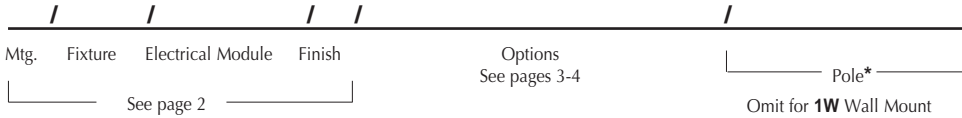


Type:
Job:
Catalog number:

Approvals:

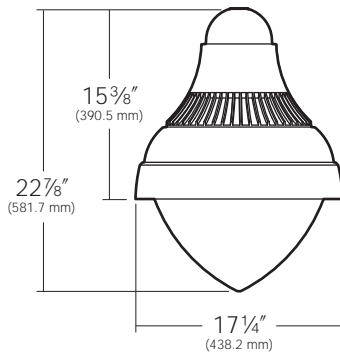


*Select pole from Kim Arms and Poles Selection Guide. If pole is provided by others indicate O.D. for arm fitting.

Date:
Page: 1 of 5

Specifications

17¼" Diameter
 60 Light Emitting Diodes



Housing: One-piece, die-cast low copper (<0.6% Cu) aluminum alloy component with integral cooling fins.

Lens Frame and Lens: One-piece, die-cast low copper (<0.6% Cu) aluminum alloy. Stainless steel hinges provided for attachment to housing. A single stainless steel thumb latch is provided for toolless entry and is concealed from normal view. The high temperature rated 3/16" thick clear injection molded acrylic acorn enclosure, UV stabilized (optional polycarbonate) seals against the reflector flange by a one-piece extruded silicone gasket with fused seam, to produce a fully sealed optical chamber (IP66).

Mounting: Stainless steel bolts are provided to attach the luminaire to mounting arms.

Electronic Module: All electrical components are UL and CSA recognized, mounted on a single plate and factory prewired with quick-disconnect plugs. Module includes a driver, LifeShield™ temperature control device and surge protector. Electrical module attaches to housing with key hole slots, accessible by opening the lens frame and removing optical module. Driver is rated for -40°F starting and has a 0-10V dimming interface for multi-level illumination options.

Optical Module: Precision, replaceable MicroEmitter™ reflectors are positioned to achieve directional control toward desired task. The entire EmitterDeck™ mounting assembly fastens to the housing as a one-piece module.

Finish/Color: Finish is Super TGIC thermoset polyester powder coat paint, 2.5 mil nominal thickness, applied over a titanated zirconium conversion coating; A.S.T.M. 2500 hour salt spray test endurance rating. Standard colors are Black, Dark Bronze, Light Gray, Stealth Gray™, Platinum Silver, or White. Custom colors are available.

Warranty: Kim Lighting warrants Era Acorn LED products ("Product(s)") sold by Kim Lighting to be free from defects in material and workmanship for (i) a period of five (5) years for metal parts, (ii) a period of ten (10) years for exterior housing paint finish(s), (iii) a period of six (6) years for LED Light Engines (MicroEmitter reflectors) and, (iv) a period of five (5) years for LED power components (LED Driver, LifeShield temperature control device, surge protector), from the date of sale of such goods to the buyer as specified in Kim Lighting shipment documents for each product.

CAUTION: Fixtures must be grounded in accordance with national, state and/or local electrical codes. Failure to do so may result in serious injury.

Listings and Ratings

ETL to UL 1598 & 8750 Standards ¹	CE	25°C Ambient
--	----	--------------

¹Suitable for wet locations.

KIM LIGHTING RESERVES THE RIGHT TO CHANGE SPECIFICATIONS WITHOUT NOTICE.



Type:

Job:



Standard Features

Mounting

Plan View:



Wall Mount

Cat. No.: 1A 2B 3Y 4C 1W

NOTE: 1A, 2B, 3Y and 4C mounting arms are part of the Pole Assembly. 1W Wall Mount arm is **not** included and must be ordered separately. See page 4 for styles and ordering information.

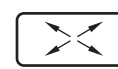
Fixture

Cat. No. designates fixture and optic

AE17
Housing Size: 17"

- x
Distribution:
- 1 = Type I Full Cutoff
 - 2 = Type II Full Cutoff
 - 3 = Type III Full Cutoff
 - 4 = Type IV Full Cutoff
 - 5 = Type V Square Full Cutoff
 - L = Type L Left Full Cutoff
 - R = Type R Right Full Cutoff

Light Distribution:



Type I



Type II



Type III



Type IV
Forward
Throw



Type V
Square



Type R
Right



Type L
Left

Electrical Module

NOTE: Era Acorn system employs Nichia's SSL product. Part number: NS6x183 (NS6L183-H3, NS6W183-H3)

Cat. Nos. for Electrical Modules available:

60L
Source:
60L = 60 LED's

xK
Color Temperature:¹

- 3K = 3500K
- 5K = 5100K
- 2K = 580nm - Amber

x
Voltage:

- 120 = 120V
- 208 = 208V
- 240 = 240V
- 277 = 277V
- 347 = 347V²
- 480 = 480V²

¹4300K and 6500K are also available on an "Engineered-to-Order" (ETO) basis.

²Due to current unavailability of 347V and 480V drivers, specification of these voltages may feature an integral step-down transformer.

Fixture	Total System Watts	Volt	Operating Amps
AE17 LED	68.1	120	0.61
AE17 LED	68.1	208	0.35
AE17 LED	68.1	240	0.30
AE17 LED	68.1	277	0.26
AE17 LED	68.1	347	0.21
AE17 LED	68.1	480	0.15

Finish

TGIC powder coat paint over a titanated zirconium conversion coating.

Color: Black Dark Bronze Light Gray Stealth Gray™ Platinum Silver White Custom Color¹
Cat. No.: BL DB LG SG PS WH CC

¹Custom colors subject to additional charges, minimum quantities and extended lead times. Consult representative. Custom color description: _____

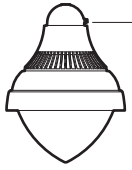
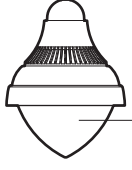
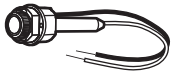
Type:

Job:

Page: 3 of 5



Optional Features

<p>Photocell Cat. No. (See right) <input type="checkbox"/> No Option</p>	<p>Factory installed fully gasketed sensor.</p> <table style="width: 100%; border: none;"> <tr> <td style="width: 25%;">Cat. No.</td> <td style="width: 25%;">Line Volts</td> <td style="width: 25%;">Cat. No.</td> <td style="width: 25%;">Line Volts</td> </tr> <tr> <td><input type="checkbox"/> A-30</td> <td>120V</td> <td><input type="checkbox"/> A-33</td> <td>277V</td> </tr> <tr> <td><input type="checkbox"/> A-31</td> <td>208V</td> <td><input type="checkbox"/> A-34</td> <td>480V</td> </tr> <tr> <td><input type="checkbox"/> A-32</td> <td>240V</td> <td><input type="checkbox"/> A-35</td> <td>347V</td> </tr> </table>	Cat. No.	Line Volts	Cat. No.	Line Volts	<input type="checkbox"/> A-30	120V	<input type="checkbox"/> A-33	277V	<input type="checkbox"/> A-31	208V	<input type="checkbox"/> A-34	480V	<input type="checkbox"/> A-32	240V	<input type="checkbox"/> A-35	347V	 <p style="text-align: right;">Photocell Control</p>
Cat. No.	Line Volts	Cat. No.	Line Volts															
<input type="checkbox"/> A-30	120V	<input type="checkbox"/> A-33	277V															
<input type="checkbox"/> A-31	208V	<input type="checkbox"/> A-34	480V															
<input type="checkbox"/> A-32	240V	<input type="checkbox"/> A-35	347V															
<p>Polycarbonate Enclosure Cat. No. <input type="checkbox"/> LS <input type="checkbox"/> No Option</p>	<p>Polycarbonate enclosure replaces standard acrylic enclosure.</p>	 <p style="text-align: right;">Polycarbonate Enclosure</p>																
<p>Dimming Controls</p>	<p>The Era Acorn LED driver features a 0-10V dimming interface on the LifeShield™ device, allowing 0-100% illumination output when synchronized with a control and dimming system, provided by others. Kim Lighting will advise availability of complete control packages, once they have been tested and exceed Kim's high quality standards.</p>																	
<p>Fusing Cat. No. (See right) <input type="checkbox"/> No Option</p>	<p>High temperature fuse holders factory installed inside the fixture housing.</p> <table style="width: 100%; border: none;"> <tr> <td style="width: 12.5%;">Line Volts:</td> <td style="width: 12.5%;">120V</td> <td style="width: 12.5%;">208V</td> <td style="width: 12.5%;">240V</td> <td style="width: 12.5%;">277V</td> <td style="width: 12.5%;">347V</td> <td style="width: 12.5%;">480V</td> </tr> <tr> <td>Cat. No.:</td> <td><input type="checkbox"/> SF</td> <td><input type="checkbox"/> DF</td> <td><input type="checkbox"/> DF</td> <td><input type="checkbox"/> SF</td> <td><input type="checkbox"/> SF</td> <td><input type="checkbox"/> DF</td> </tr> </table>	Line Volts:	120V	208V	240V	277V	347V	480V	Cat. No.:	<input type="checkbox"/> SF	<input type="checkbox"/> DF	<input type="checkbox"/> DF	<input type="checkbox"/> SF	<input type="checkbox"/> SF	<input type="checkbox"/> DF	 <p style="text-align: right;">Single Fuse</p>		
Line Volts:	120V	208V	240V	277V	347V	480V												
Cat. No.:	<input type="checkbox"/> SF	<input type="checkbox"/> DF	<input type="checkbox"/> DF	<input type="checkbox"/> SF	<input type="checkbox"/> SF	<input type="checkbox"/> DF												
<p>Poles and Arms</p>	<p>See Kim Lighting's Arms and Poles Selection Guide for a complete selection of heritage style poles. Arm variations are shown on page 4.</p>																	

Type:

Job:




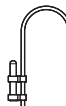

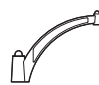

Page: 4 of 5


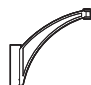
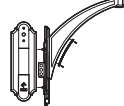


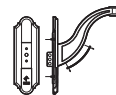




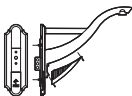






Arm Options




Arms

Note: Wall mount arm is **not** included and must be ordered separately. Refer to Kim Lighting's Arms and Poles Selection Guide for complete details.

Mtg.	Post Top Crook			Side Pole Crook			Post Top Swept Cast Arm		
	Arm	Tenon Mt.	Wall Mt.	Arm	Tenon Mt.	Wall Mt.	Arm	Tenon Mt.	Wall Mt.
1SA	<input type="checkbox"/> HA01S	<input type="checkbox"/> HA01S-TM1	—	<input type="checkbox"/> HA02S	<input type="checkbox"/> HA02S-TM1	<input type="checkbox"/> HA02S-W	<input type="checkbox"/> HA03S	<input type="checkbox"/> HA03S-TM1	—
2SB	—	—	—	—	<input type="checkbox"/> HA02S-TM2	—	—	<input type="checkbox"/> HA03S-TM2	—
3SY	—	—	—	—	<input type="checkbox"/> HA02S-TM3	—	—	<input type="checkbox"/> HA03S-TM3	—
4SC	—	—	—	—	<input type="checkbox"/> HA02S-TM4	—	—	<input type="checkbox"/> HA03S-TM4	—
									

Mtg.	Side Pole Swept Cast Arm			Side Pole S-Shaped Up Cast Arm		
	Arm	Tenon Mt.	Wall Mt.	Arm	Tenon Mt.	Wall Mt.
1SA	<input type="checkbox"/> HA11S	<input type="checkbox"/> HA11S-TM1	<input type="checkbox"/> HA11S-W	<input type="checkbox"/> HA12S	<input type="checkbox"/> HA12S-TM1	<input type="checkbox"/> HA12S-W
2SB	—	<input type="checkbox"/> HA11S-TM2	—	—	<input type="checkbox"/> HA12S-TM2	—
3SY	—	<input type="checkbox"/> HA11S-TM3	—	—	<input type="checkbox"/> HA12S-TM3	—
4SC	—	<input type="checkbox"/> HA11S-TM4	—	—	<input type="checkbox"/> HA12S-TM4	—
						

Mtg.	Side Pole Neo-Classic Arm			Side Pole Arm w/Top Scroll			Side Pole Ribbon Arm w/Top Gusset		
	Arm	Tenon Mt.	Wall Mt.	Arm	Tenon Mt.	Wall Mt.	Arm	Tenon Mt.	Wall Mt.
1SA	<input type="checkbox"/> HA14S	<input type="checkbox"/> HA14S-TM1	<input type="checkbox"/> HA14S-W	<input type="checkbox"/> HA31S	<input type="checkbox"/> HA31S-TM1	<input type="checkbox"/> HA31S-W	<input type="checkbox"/> HA33S	<input type="checkbox"/> HA33S-TM1	<input type="checkbox"/> HA33S-W
2SB	—	<input type="checkbox"/> HA14S-TM2	—	—	<input type="checkbox"/> HA31S-TM2	—	—	<input type="checkbox"/> HA33S-TM2	—
3SY	—	<input type="checkbox"/> HA14S-TM3	—	—	<input type="checkbox"/> HA31S-TM3	—	—	<input type="checkbox"/> HA33S-TM3	—
4SC	—	<input type="checkbox"/> HA14S-TM4	—	—	<input type="checkbox"/> HA31S-TM4	—	—	<input type="checkbox"/> HA33S-TM4	—
									

Mtg.	Side Pole Ribbon Arm w/Top Brace			Side Pole Ribbon Arm w/Top Brace & Bottom Scroll			Side Pole Ribbon Arm w/Top Brace & Bottom Gusset		
	Arm	Tenon Mt.	Wall Mt.	Arm	Tenon Mt.	Wall Mt.	Arm	Tenon Mt.	Wall Mt.
1SA	<input type="checkbox"/> HA35S	<input type="checkbox"/> HA35S-TM	<input type="checkbox"/> HA35S-W	<input type="checkbox"/> HA37S	<input type="checkbox"/> HA37S-TM	<input type="checkbox"/> HA37S-W	<input type="checkbox"/> HA38S	<input type="checkbox"/> HA38S-TM	<input type="checkbox"/> HA38S-W
		Consult factory for other mtgs.	Consult factory for other mtgs.		Consult Factory for other mtgs	Consult Factory for other mtgs		Consult Factory for other mtgs	Consult Factory for other mtgs

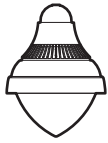
Arm Finial:

HAF2 - Traditional style finial available to close off mounting hub opposite the fixture.
¹Not available on arm where indicated.



Type:

Job:

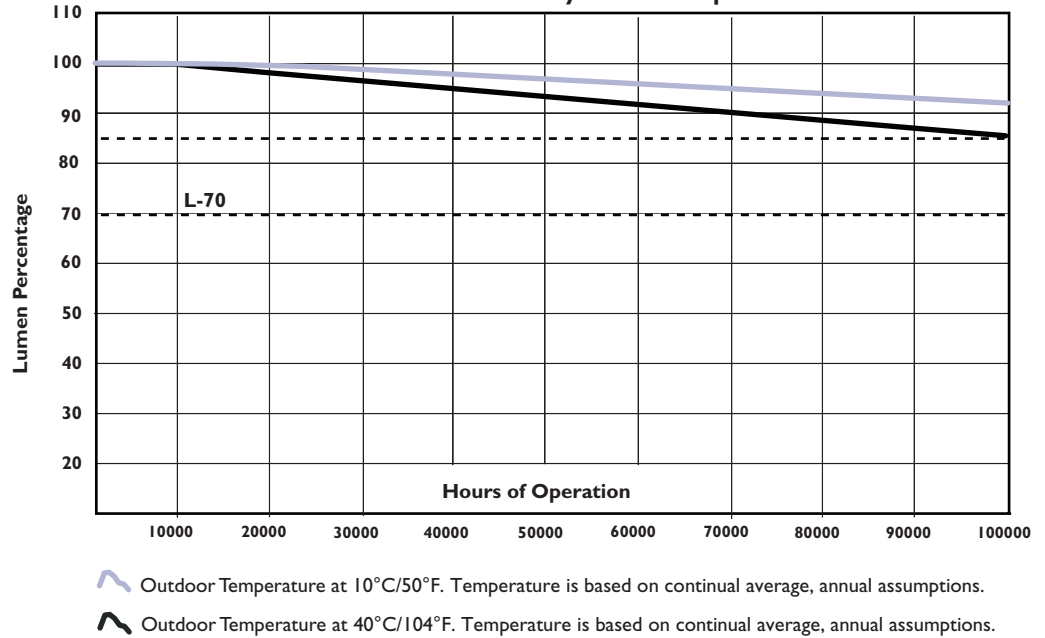


Lumen Performance Charts

NOTES:

1. Lumen loss stabilization is a result of Kim Lighting's MicroEmitter™ luminaires exclusive LifeShield™ temperature control device and Dual Heat Management.
2. The LifeShield temperature control device will lower the current to the LEDs significantly if the luminaire is exposed to direct heat (sun) or excessive abnormal conditions.
3. Luminaire Lumen Loss assumptions are based on LM-80 results and an actual outdoor product testing based upon 5100K CCT, 350mA drive current. 25°C/77°F tab ambient and cathode temperature at 85°C/185°F. Assumptions past 6,000 hours are interpolated.
4. Cathode temperature baseline is at 85°C/185°F. If cathode temperature increases during ambient changes and abnormal environment conditions, % of rated lumens will slightly decrease.
5. Outdoor ambient temperatures are assumed SITU average by geographic region.
6. As Solid State Lighting technology and thermal management systems continually advance, lumen loss projections are subject to improvement.

Luminaire Lumen Loss by Hours of Operation



Luminaire Output at Outdoor Ambient Temperatures

