

Type:
Job:
Fixture Catalog number:

Fixture Lamp Mode

Remote Mounting Options:

Ordered Separately from Fixture
 See pages 2-4

Approvals:

Date:
Page: 1 of 4

Specifications

Housing and Shield: Spun copper with cast bronze clamping rings and swivel base.

Swivel: Cast bronze with 1/2" NPT plus solid brass locknut for mounting.

Lens: Convex clear tempered glass with silicone gasket.

Socket: Porcelain medium base.

Wiring: No. 18AWM rated 105°.

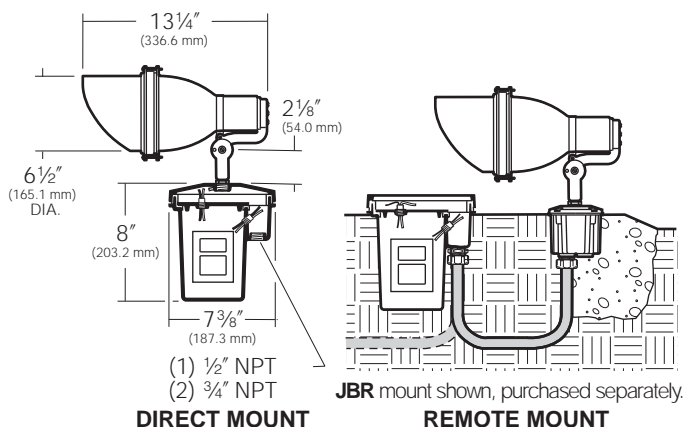
Ballast: High power factor, long range ignitors, -20°F. starting, mounted on tray, 120 volt standard.

Ballast Box: High temperature, compression molded featuring long-fiber fiberglass impregnated heavy wall construction. Wall separates ballast chamber from splice compartments, splice area 32 cu in.; prewired, two anti-siphon plugs to and from ballast chamber. Conduit entry; two 3/4" NPT for through wiring, one 1/2" NPT for remote access.

Ballast Cover: Cast bronze, supplied with 1/2" NPSM for direct mount, with stainless steel set screw lock. Flat for remote mount.

Finish: Natural copper and bronze. Will rapidly age to a deep rich bronze color, and may develop areas of patina.

Certification: UL Listed to U.S. and Canadian safety standards for wet locations.



ORDERING INFORMATION

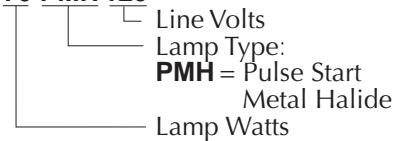
Fixture

- 6340D** Direct Mounting
 6340R Remote Mounting

Lamp Mode¹

	<input type="checkbox"/> 70PMH120	<input type="checkbox"/> 100PMH120
	<input type="checkbox"/> 70PMH208	<input type="checkbox"/> 100PMH208
	<input type="checkbox"/> 70PMH240	<input type="checkbox"/> 100PMH240
	<input type="checkbox"/> 70PMH277	<input type="checkbox"/> 100PMH277
	<input type="checkbox"/> 70PMH347	<input type="checkbox"/> 100PMH347
Lamp	PAR38 / R40	PAR38 / R40
Socket	Medium Base	Medium Base
ANSI Ballast Type	M-98	M-90

¹70 PMH 120



HUBBELL LIGHTING, INC.

KIM LIGHTING RESERVES THE RIGHT TO CHANGE SPECIFICATIONS WITHOUT NOTICE.

Type:
 Job:



Remote Mounting Options

Ordered Separately from Fixture

Landscape Light Post by Engineered Products Co.

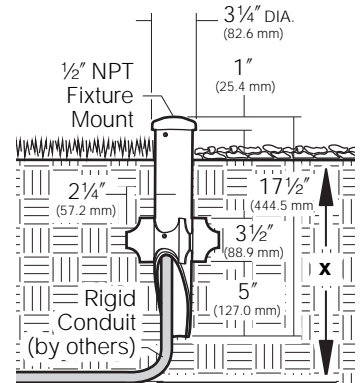
- Cat. No.
 EP17
 No Option

PVC fixture molded in black with 1/2" NPT mount is corrosion free and UV resistant. Replaces EMT, conduit connectors and weatherproof boxes. 100% shatter resistant against denting and cracking. Angled bottom to eliminate cable congestion. 17 1/2" post length.

CAUTION : EP17 should be used with a UL Listed fixture and grounding means (i.e., third wire) suitable for use in wet locations.

"x" = required depth of conduit per local code.

NOTE: Maximum remote mounting distance for 70PMH and 100PMH fixtures is 50'.



Brass In-grade Architectural Junction Box

- Cat. No.
 JBR-2
 JBR-3
 JBR-21
 JBR-24
 No Option

Die-cast brass with 1/2" NPSM fixture mount and die-cast cover. Internal set screw provided for locking position. 18 cu. in. internal volume.

- JBR-2** (2) 1/2" NPT in bottom
JBR-3 (2) 3/4" NPT in bottom
JBR-21 (2) 1/2" NPT in sides, (2) 1/2" NPT in bottom
JBR-24 (4) 1/2" NPT in sides, (2) 1/2" NPT in bottom

All side taps provided with plugs.

25 Year Limited Warranty:

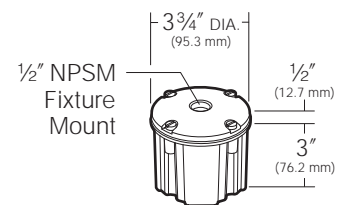
Solid brass junction boxes are warranted for 25 years, from date of sale, against manufacturing defects and failure due to corrosion.

Application Notes

- Utilizing conveniently located ballast box, fixtures can be remote mounted.
- Cast brass slowly adopts environmental "patina" adapting itself to the landscape.
- May be cast in concrete for increased stability.

CAUTION: Fixture stem and swivel must not contact soil or standing water. Provide drainage away from junction box. Lamp and ballast must be of equal wattage. Ballast box must be installed high enough to encourage water drainage away from the housing.

NOTE: Maximum remote mounting distance for 70PMH and 100PMH fixtures is 50'.



Type:
 Job:



Remote Mounting Options

Ordered Separately from Fixture

Brass In-grade Staked Junction Box

- Cat. No.
 JBR30
 No Option

Die-cast brass with 1/2" NPSM fixture mount and die-cast cover. Internal set screw provided for locking position. 18 cu in. internal volume.

(2) 1/2" NPT in bottom with (2) 19" long stakes.

25 Year Limited Warranty:

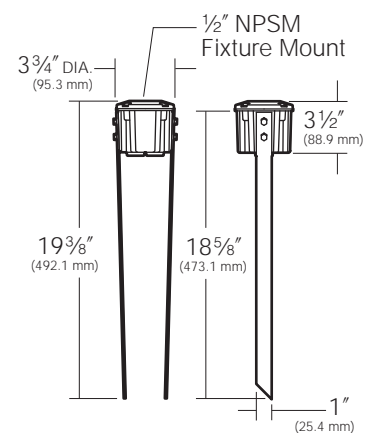
Solid brass junction boxes are warranted for 25 years, from date of sale, against manufacturing defects and failure due to corrosion.

Application Notes

- Utilizing conveniently located ballast box, fixtures can be remote mounted.
- Cast brass slowly adopts environmental "patina" adapting itself to the landscape.
- May be cast in concrete for increased stability.

CAUTION: Fixture stem and swivel must not contact soil or standing water. Provide drainage away from Junction Box. Lamp and ballast must be of equal wattage. Ballast box must be installed high enough to encourage water drainage away from the housing.

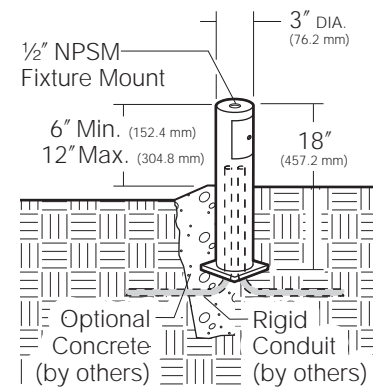
NOTE: Maximum remote mounting distance for 70PMH and 100PMH fixtures is 50'.



Stanchion Mount

- Cat. No. Finish
 SM18/BL Black
 SM18/DB Dark Bronze
 SM18/GR Verde Green
 No Option

3" O.D. by .188" wall cast, low copper (<0.6% Cu) aluminum with 1/2" NPSM fixture mount and hand hole with flush cover. Internal set screw fixture lock accessible through hand hole. Internal ground lug supplied with installed lead. Super TGIC powder coat paint over clear anodizing and titanated zirconium conversion.



Type:

Job:

Page: 4 of 4



Remote Mounting Options

Ordered Separately from Fixture

Surface Mount

Cat. No.	Finish
<input type="checkbox"/> J-27N/BL	Black
<input type="checkbox"/> J-27N/DB	Dark Bronze
<input type="checkbox"/> J-27N/GR	Verde Green
<input type="checkbox"/> No Option	

Cast, low copper (<0.6% Cu) aluminum with 1/2" NPSM fixture mount. Internal set screw provided for locking position. 5 cu in. internal volume. Super TGIC powder coat paint over clear anodizing and titanated zirconium conversion.

Application Notes

- Utilizing conveniently located ballast box, fixtures can be surface mounted.

CAUTION: Lamp and ballast must be of equal wattage. Ballast box must be installed high enough to encourage water drainage away from the housing.

NOTE: Maximum remote mounting distance for 70PMH and 100PMH fixtures is 50'.

