

Type:
Job:
Fixture Catalog number:

____ / ____ / ____
Fixture Wattage / Lamp(s) Finish

Fixture Options:

Ordered Separately from Fixture
See page 2

Mounting Options:

Ordered Separately from Fixture
See pages 3-5

Approvals:

Date:
Page: 1 of 5

Specifications

Housing: One-piece extruded aluminum with die-cast aluminum ends.

Swivels: Two, die-cast aluminum, with locking teeth and 1/2" solid brass NPT mount. Swivel locked by 1/4-20 stainless set screw. Clear anodized prior to powder coating for added corrosion resistance.

Reflector: Specular Alzak®.

Lens: Clear flat acrylic, fully gasketed, retained by a concealed extruded aluminum rail with recessed captive allen-head fasteners.

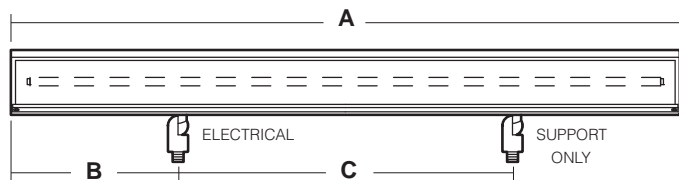
Socket: Medium bipin mounted on reflector.

Wiring: Factory prewired with No. 18AWM rated 105°C, leads extended from swivel base.

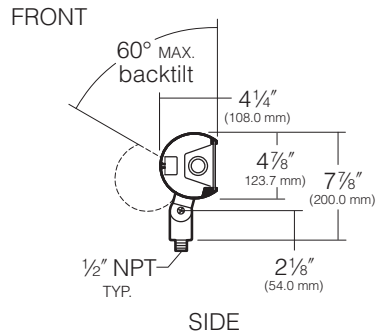
Ballast: Electronic ballast 0°F starting. Variable voltage 120 through 277.

Finish: Super TGIC thermoset polyester powder coat paint, 2.5 mil nominal thickness, applied over a titanated zirconium conversion coating; 2500 hour salt spray test endurance rating. Standard colors are Black (BL), Dark Bronze (DB), and Verde Green (GR).

Certification: UL Listed to U.S. and Canadian safety standards for wet locations.



	A	B	C
4324	25"	6 1/4"	12 1/2"
4336	37"	9 1/4"	18 1/2"
4348	49"	12 1/4"	24 1/2"



ORDERING INFORMATION

Fixture Length

4324 25"

Lamp(s)	Wattage / Lamp(s)
<input type="checkbox"/> 114T5	(1) 14 watt T-5 lamp
<input type="checkbox"/> 214T5	(2) 14 watt T-5 lamps
<input type="checkbox"/> 124T5-HO	(1) 24 watt T-5-HO lamp
<input type="checkbox"/> 224T5-HO	(2) 24 watt T-5-HO lamps
<input type="checkbox"/> 117T8	(1) 17 watt T-8 lamp

Fixture Length

4336 37"

Lamp(s)	Wattage / Lamp(s)
<input type="checkbox"/> 121T5	(1) 21 watt T-5 lamp
<input type="checkbox"/> 221T5	(2) 21 watt T-5 lamps
<input type="checkbox"/> 139T5-HO	(1) 39 watt T-5-HO lamp
<input type="checkbox"/> 239T5-HO	(2) 39 watt T-5-HO lamps
<input type="checkbox"/> 125T8	(1) 25 watt T-8 lamp

Fixture Length

4348 49"

Lamp(s)	Wattage / Lamp(s)
<input type="checkbox"/> 128T5	(1) 28 watt T-5 lamp
<input type="checkbox"/> 228T5	(2) 28 watt T-5 lamps
<input type="checkbox"/> 154T5-HO	(1) 54 watt T-5-HO lamp
<input type="checkbox"/> 254T5-HO	(2) 54 watt T-5-HO lamps
<input type="checkbox"/> 132T8	(1) 32 watt T-8 lamp

NOTE: Electronic Ballast operates 120 through 277 volts (50-60 Hz.). Electronic Ballast minimum starting temperature -20°/0°F.

Cat. No.	Finish
<input type="checkbox"/> BL	Black
<input type="checkbox"/> DB	Dark Bronze
<input type="checkbox"/> GR	Verde Green

NOTE: Do not aim down unless protected from direct water spray. Do not exceed 60° backtilt aiming. Unwired swivel may be attached to rigid pipe of appropriate length for site soil conditions.

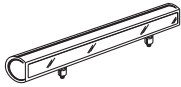


KIM LIGHTING RESERVES THE RIGHT TO CHANGE SPECIFICATIONS WITHOUT NOTICE.

Type:

Job:

Page: 2 of 5



Fixture Options

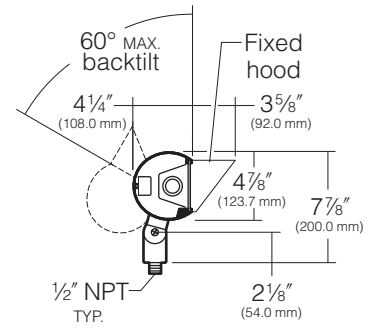
Ordered Separately from Fixture

Optional Fixed Hood

Cat. No.

- FH24** (for 4324)
- FH36** (for 4336)
- FH48** (for 4348)
- No Option**

Formed 1/16" thick aluminum. Mounts to the face of the fixture to shield lamp and lens from view. Mounts to predrilled holes in the fixture housing.

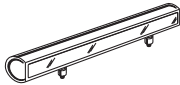


SIDE VIEW

Type:

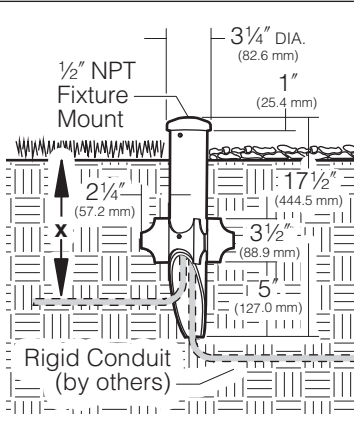
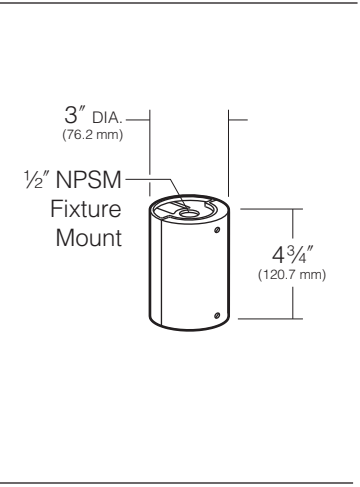
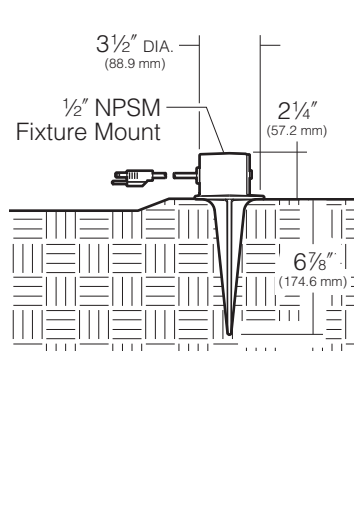
Job:

Page: 3 of 5



Mounting Options

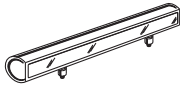
Ordered Separately from Fixture

<p>Landscape Light Post by Engineered Products Co. Cat. No. <input type="checkbox"/> EP17 <input type="checkbox"/> No Option</p>	<p>PVC fixture molded in black with 1/2" NPT mount is corrosion free and UV resistant. Replaces EMT, conduit connectors and weatherproof boxes. 100% shatter resistant against denting and cracking. Angled bottom to eliminate cable congestion. 17 1/2" post length NOTE: EP17 should be used with a UL listed fixture and grounding means (i.e., third wire) suitable for use in wet locations. "x" = required depth of conduit per local codes.</p>	
<p>Architectural Junction Box (two required) Cat. No. Finish <input type="checkbox"/> JB1/BL Black <input type="checkbox"/> JB1/DB Dark Bronze <input type="checkbox"/> JB1/GR Verde Green <input type="checkbox"/> No Option</p>	<p>Die-cast aluminum with 1/2" NPSM fixture mount. Internal set screw provided for locking position. Two 1/2" NPSM in bottom, 17 cu in. internal volume. Super TGIC powder coat paint over clear anodizing and titanated zirconium conversion coating. NOTE: May also be used to hard mount low voltage fixtures. Application Notes <ul style="list-style-type: none"> • Elevates Accent Lights above ground cover to prevent foliage from blocking the light. • Elevates Path Lights above ground cover to achieve a greater light throw. CAUTION: Junction box must be installed high enough to avoid contact with soil or standing water.</p>	
<p>Portable Spear Mount (two required) Cat. No. <input type="checkbox"/> J-25N <input type="checkbox"/> No Option</p>	<p>Cast iron with 1/2" NPSM fixture mount. Hot dip galvanized finish. 5.5 cu in. splice compartment. (SJTW-A) 3 wire cord and plug. 9' cord length</p>	

Type:

Job:

Page: 4 of 5



Mounting Options

Ordered Separately from Fixture

Brass In-grade Architectural Junction Box (two required)

Cat. No.

- JBR-2
 JBR-3
 JBR-21
 JBR-24
 No Option

Die-cast brass with 1/2" NPSM fixture mount and die-cast cover. Internal set screw provided for locking position. 18 cu in. internal volume.

- JBR-2** (2) 1/2" NPT in bottom
JBR-3 (2) 3/4" NPT in bottom
JBR-21 (2) 1/2" NPT in sides, (2) 1/2" NPT in bottom
JBR-24 (4) 1/2" NPT in sides, (2) 1/2" NPT in bottom

All side taps provided with plugs.

NOTE: May also be used to hard mount low voltage fixtures.

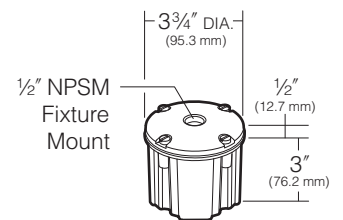
25 Year Limited Warranty:

Solid brass junction boxes are warranted for 25 years, from date of sale, against manufacturing defects and failure due to corrosion.

Application Notes

- Creates a flush-mounted appearance.
- May be cast in concrete for increased stability.

CAUTION: Fixture stem and swivel must not contact soil or standing water. Provide drainage away from junction box.



Brass In-grade Staked Junction Box (two required)

Cat. No.

- JBR30
 No Option

JBR30 BRASS IN-GRADE STAKED JUNCTION BOX

Die-cast brass with 1/2" NPSM fixture mount and die-cast cover. Internal set screw provided for locking position. 18 cu in. internal volume.

(2) 1/2" NPT in bottom with (2) 19" long brass stakes

NOTE: May also be used to hard mount low voltage fixtures.

Brass In-grade Staked Junction Box with Cord (two required)

Cat. No.

- JBR32
 No Option

JBR32 BRASS IN-GRADE STAKED JUNCTION BOX WITH CORD

Die-cast brass with 1/2" NPSM fixture mount and die-cast cover. Internal set screw provided for locking position. 18 cu in. internal volume. (SJTW-A) 3 wire cord and plug.

(2) 19" long brass stakes with 9' cord

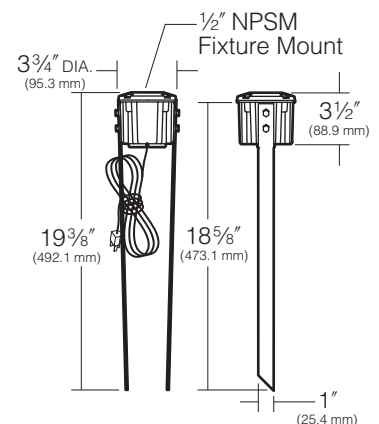
25 Year Limited Warranty:

Solid brass junction boxes are warranted for 25 years, from date of sale, against manufacturing defects and failure due to corrosion.

Application Notes

- Creates a flush-mounted appearance.
- May be cast in concrete for increased stability.

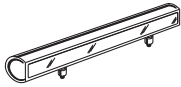
CAUTION: Fixture stem and swivel must not contact soil or standing water. Provide drainage away from junction box.



Type:

Job:

Page: 5 of 5



Mounting Options

Ordered Separately from Fixture

Stanchion Mount (two required)

Cat. No.	Finish
<input type="checkbox"/> SM18/BL	Black
<input type="checkbox"/> SM18/DB	Dark Bronze
<input type="checkbox"/> SM18/GR	Verde Green
<input type="checkbox"/> No Option	

3" O.D. by .188" wall cast aluminum with 1/2" NPSM fixture mount and hand hole with flush cover. Internal set screw fixture lock accessible through hand hole. Internal ground lug supplied with installed lead. Super TGIC powder coat paint over clear anodizing and titanated zirconium conversion coating.

NOTE: May also be used to hard mount low voltage fixtures.

