



KIM LIGHTING

EP17 / JB1 / J-25N / JBR-4 / JBR-2 / JBR-3 / JBR-21 JBR-24 / JBR-30 / JBR-32 / SM18 / J-27N / JW / JWBR

120 Volt Mounting Options

revision 3/12/12 • 120vmtg.pdf

Type:
Job:
Mounting Options Catalog number:

Approvals:

Mounting Options and Finish

Date:
Page: 1 of 4

Landscape Light Post by Engineered Products Co.

Cat. No.

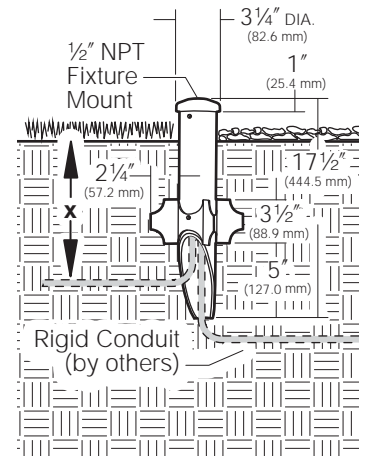
- EP17
- No Option

PVC fixture molded in black with 1/2" NPT mount is corrosion free and UV resistant. Replaces EMT, conduit connectors and weatherproof boxes. 100% shatter resistant against denting and cracking. Angled bottom to eliminate cable congestion.

17 1/2" post length

NOTE: EP17 should be used with a UL listed fixture and grounding means (i.e., third wire) suitable for use in wet locations.

"x" = required depth of conduit per local codes.



Architectural Junction Box

Cat. No.

Finish

- JB1/BL Black
- JB1/DB Dark Bronze
- JB1/GR Verde Green
- No Option

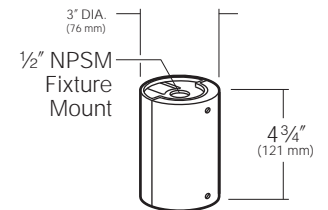
Die-cast aluminum with 1/2" NPSM fixture mount. Internal set screw provided for locking position. Two 1/2" NPSM in bottom, 17 cu in. internal volume. Super TGIC powder coat paint over clear anodizing and titanated zirconium conversion coating.

NOTE: May also be used to hard mount low voltage fixtures.

Application Notes

- Elevates Accent Lights above ground cover to prevent foliage from blocking the light.
- Elevates Path Lights above ground cover to achieve a greater light throw.

CAUTION: Junction box must be installed high enough to avoid contact with soil or standing water.



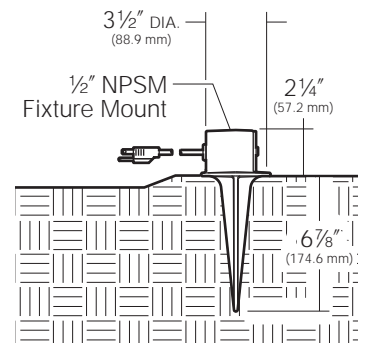
Portable Spear Mount

Cat. No.

- J-25N
- No Option

Cast iron with 1/2" NPSM fixture mount. Hot dip galvanized finish. 5.5 cu in. splice compartment. (SJTW-A) 3 wire cord and plug. Supplied with (3) three wire nuts, and (3) three mastic seals for waterproofing connections.

9' cord length



KIM LIGHTING RESERVES THE RIGHT TO CHANGE SPECIFICATIONS WITHOUT NOTICE.

Type:

Job:

Page: 2 of 4

Mounting Options

Ordered Separately from Fixture

Composite In-grade Architectural Junction Box

Cat. No.

JBR-4

No Option

Composite box with 1/2" NPSM fixture mount and composite cover. Internal set screw provided for locking position. 19 cu in. internal volume.

JBR-4 (2) 3/4" NPT knock-outs in bottom
(4) 3/4" NPT knock-outs on sides @ 90°

NOTE: May also be used to hard mount low voltage fixtures.

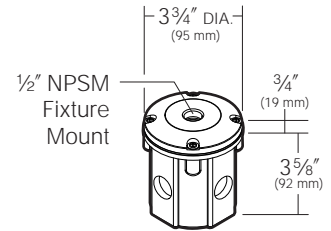
7 Year Limited Warranty:

Composite junction boxes are warranted for 7 years, from date of sale, against manufacturing defects.

Application Notes

- Creates a flush-mounted appearance.
- May be cast in concrete for increased stability.

CAUTION: Fixture stem and swivel must not contact soil or standing water. Provide drainage away from junction box.



Brass In-grade Architectural Junction Box

Cat. No.

JBR-2

JBR-3

JBR-21

JBR-24

No Option

Die-cast brass with 1/2" NPSM fixture mount and die-cast cover. Internal set screw provided for locking position. 18 cu in. internal volume.

JBR-2 (2) 1/2" NPT in bottom

JBR-3 (2) 3/4" NPT in bottom

JBR-21 (2) 1/2" NPT in sides, (2) 1/2" NPT in bottom

JBR-24 (4) 1/2" NPT in sides, (2) 1/2" NPT in bottom

All side taps provided with plugs.

NOTE: May also be used to hard mount low voltage fixtures.

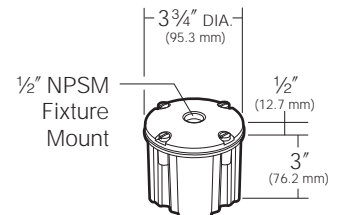
25 Year Limited Warranty:

Solid brass junction boxes are warranted for 25 years, from date of sale, against manufacturing defects and failure due to corrosion.

Application Notes

- Creates a flush-mounted appearance.
- May be cast in concrete for increased stability.

CAUTION: Fixture stem and swivel must not contact soil or standing water. Provide drainage away from junction box.



Type:

Job:

Page: 3 of 4

Mounting Options

Ordered Separately from Fixture

Brass In-grade Staked Junction Box

Cat. No.

JBR30

No Option

Brass In-grade Staked Junction Box with Cord

Cat. No.

JBR32

No Option

JBR30

BRASS IN-GRADE STAKED JUNCTION BOX

Die-cast brass with 1/2" NPSM fixture mount and die-cast cover. Internal set screw provided for locking position. 18 cu in. internal volume.

(2) 1/2" NPT in bottom with (2) 19" long stakes

NOTE: May also be used to hard mount low voltage fixtures.

JBR32

BRASS IN-GRADE STAKED JUNCTION BOX WITH CORD

Die-cast brass with 1/2" NPSM fixture mount and die-cast cover. Internal set screw provided for locking position. 18 cu in. internal volume. (SJTW-A) 3 wire cord and plug. Supplied with (3) three wire nuts, and (3) three mastic seals for waterproofing connections.

(2) 19" long stakes with 9' cord

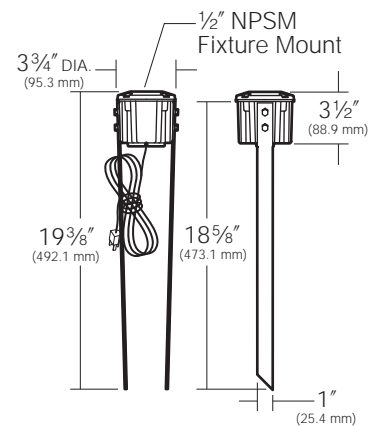
25 Year Limited Warranty:

Solid brass junction boxes are warranted for 25 years, from date of sale, against manufacturing defects and failure due to corrosion.

Application Notes

- Creates a flush-mounted appearance.
- May be cast in concrete for increased stability.

CAUTION: Fixture stem and swivel must not contact soil or standing water. Provide drainage away from junction box.



Type:

Job:

Page: 4 of 4

Mounting Options

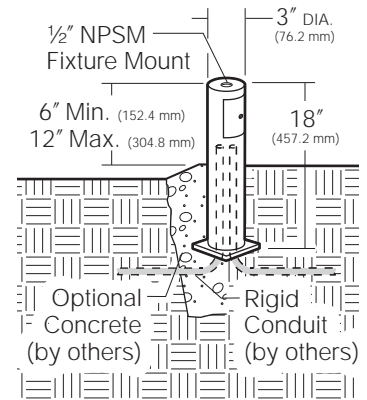
Ordered Separately from Fixture

Stanchion Mount

- Cat. No. Finish
- SM18/BL** Black
- SM18/DB** Dark Bronze
- SM18/GR** Verde Green
- No Option**

3" O.D. by .188" wall cast aluminum with 1/2" NPSM fixture mount and hand hole with flush cover. Internal set screw fixture lock accessible through hand hole. Internal ground lug supplied with installed lead. Super TGIC powder coat paint over clear anodizing and titanated zirconium conversion coating.

NOTE: May also be used to hard mount low voltage fixtures.

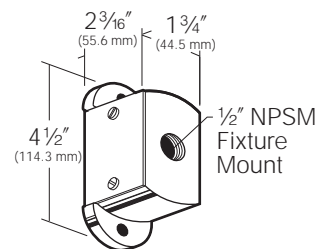


Surface Mount

- Cat. No. Finish
- J-27N/BL** Black
- J-27N/DB** Dark Bronze
- J-27N/GR** Verde Green
- No Option**

Cast aluminum with 1/2" NPSM fixture mount. Internal set screw provided for locking position. 5 cu in. internal volume. Super TGIC powder coat paint over clear anodizing and titanated zirconium conversion coating.

NOTE: May also be used to hard mount low voltage fixtures.

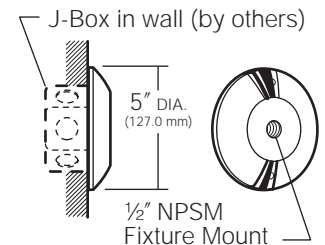


Architectural Wall Mount

- Cat. No. Finish
- JW/BL** Black
- JW/DB** Dark Bronze
- JW/GR** Verde Green
- No Option**

Die-cast aluminum with 1/2" NPSM fixture mount. Internal set screw provided for locking position. Canopy attaches to stainless steel wall plate for mounting to any standard electrical outlet box. Super TGIC powder coat paint over titanated zirconium conversion coating.

NOTE: May also be used to hard mount low voltage fixtures.



Brass Architectural Wall Mount

- Cat. No. Finish
- JWBR/NB** Natural Brass
- JWBR/VG** Verde Green Patina
- No Option**

Die-cast brass with 1/2" NPSM fixture mount. Internal set screw provided for locking position. Canopy attaches to stainless steel wall plate for mounting to any standard electrical outlet box.

NOTE: May also be used to hard mount low voltage fixtures.

