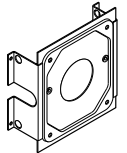




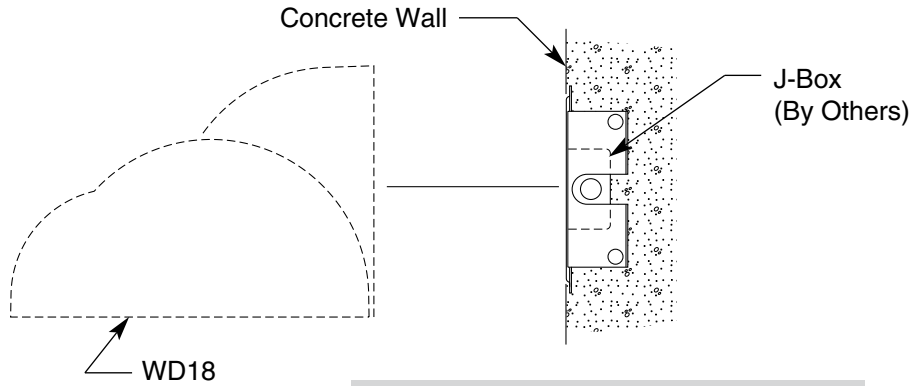
**KIM LIGHTING**

P.O. Box 60080 • 16555 East Gale Ave.  
City of Industry, California 91716-0080  
626/968-5666 • FAX 626/330-3861



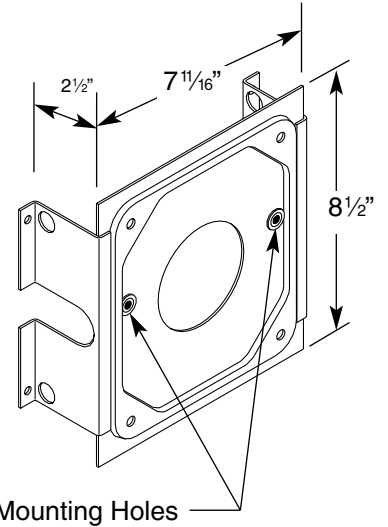
**WEP**

## WEP - Wall Embedment Plate Installation Instructions



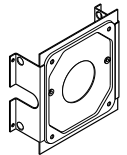
(See fixture installation instructions for mounting)

**To insure embedment integrity, Wall Embedment Plate should be tied to reinforcing bar.**



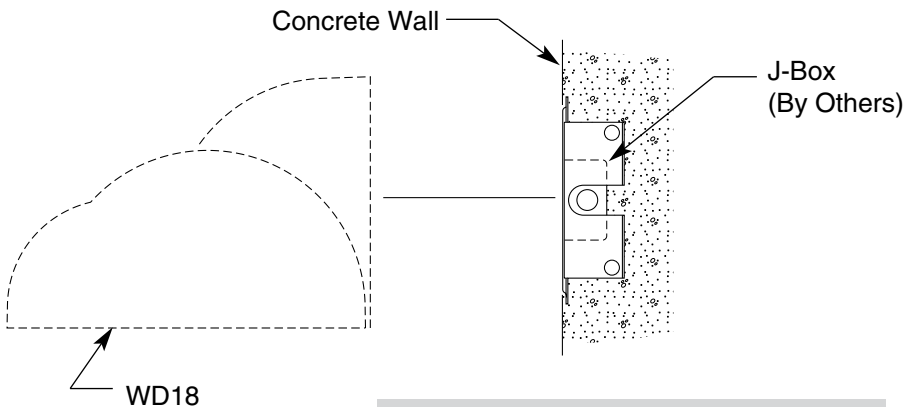
**KIM LIGHTING**

P.O. Box 60080 • 16555 East Gale Ave.  
City of Industry, California 91716-0080  
626/968-5666 • FAX 626/330-3861



**WEP**

## WEP - Wall Embedment Plate Installation Instructions



(see fixture installation instructions for mounting)

**To insure embedment integrity, Wall Embedment Plate should be tied to reinforcing bar.**

